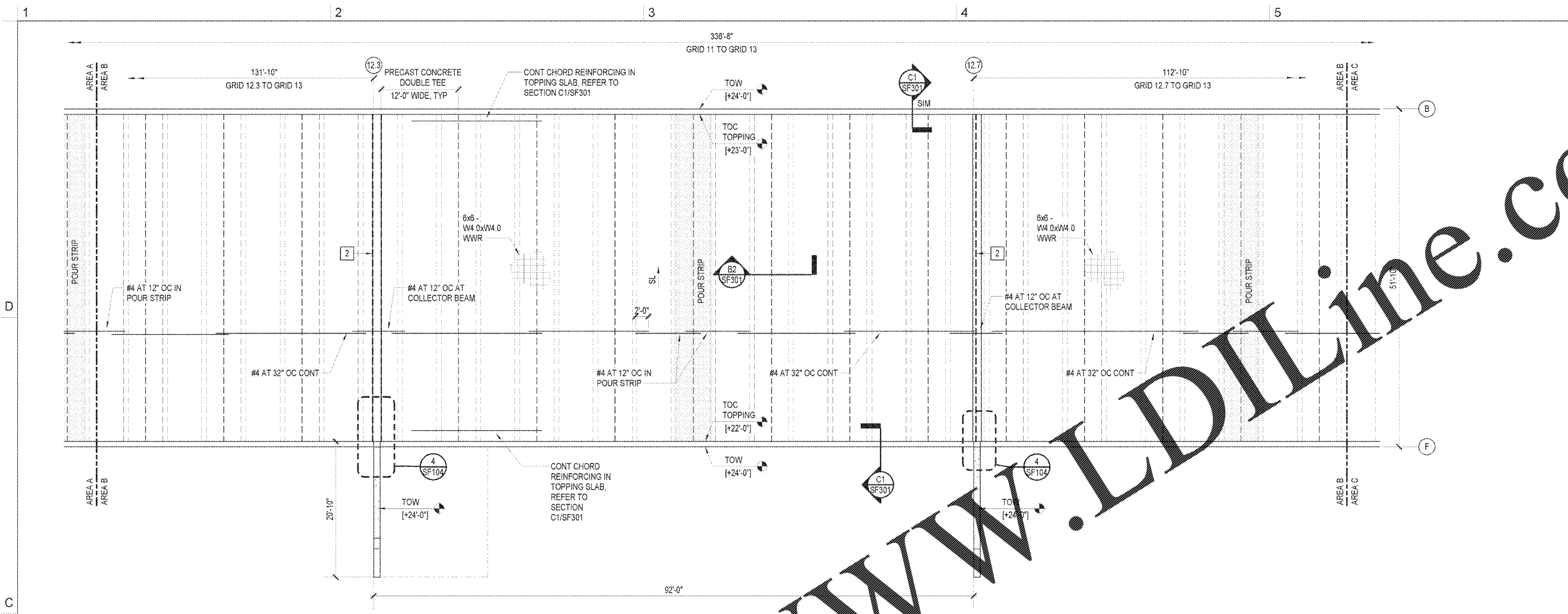
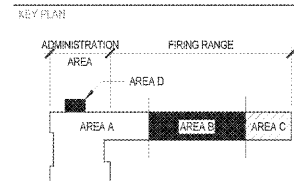


SEALS

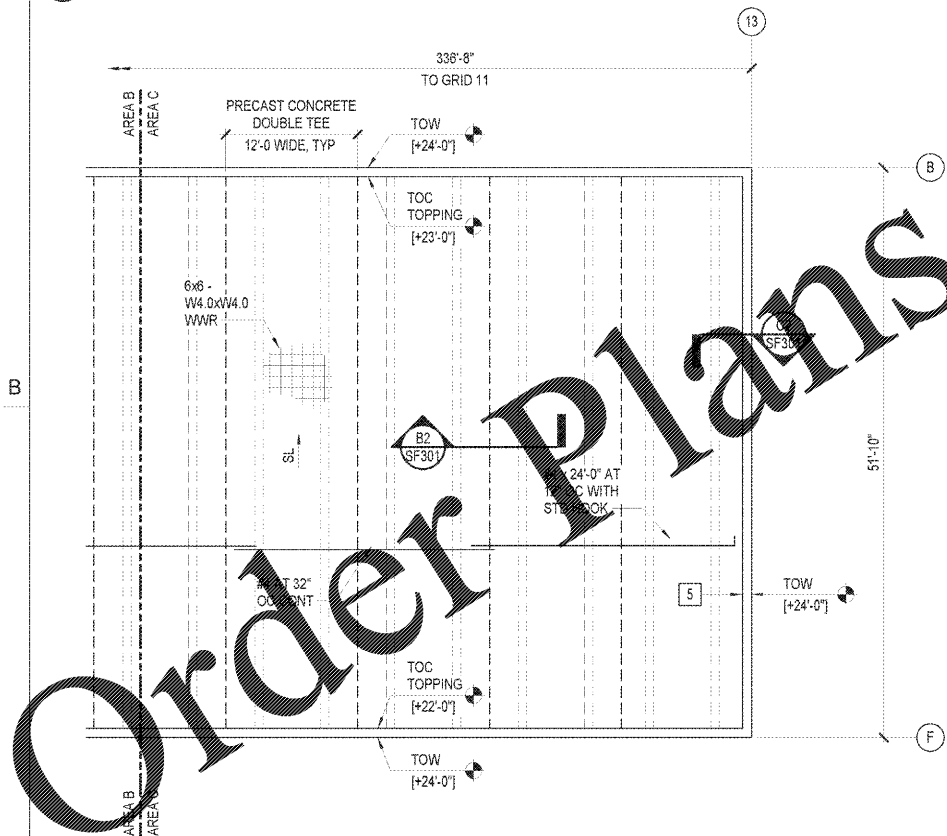


SUBMITTAL  
 4 MAY 2018  
 CONSTRUCTION DOCUMENTS

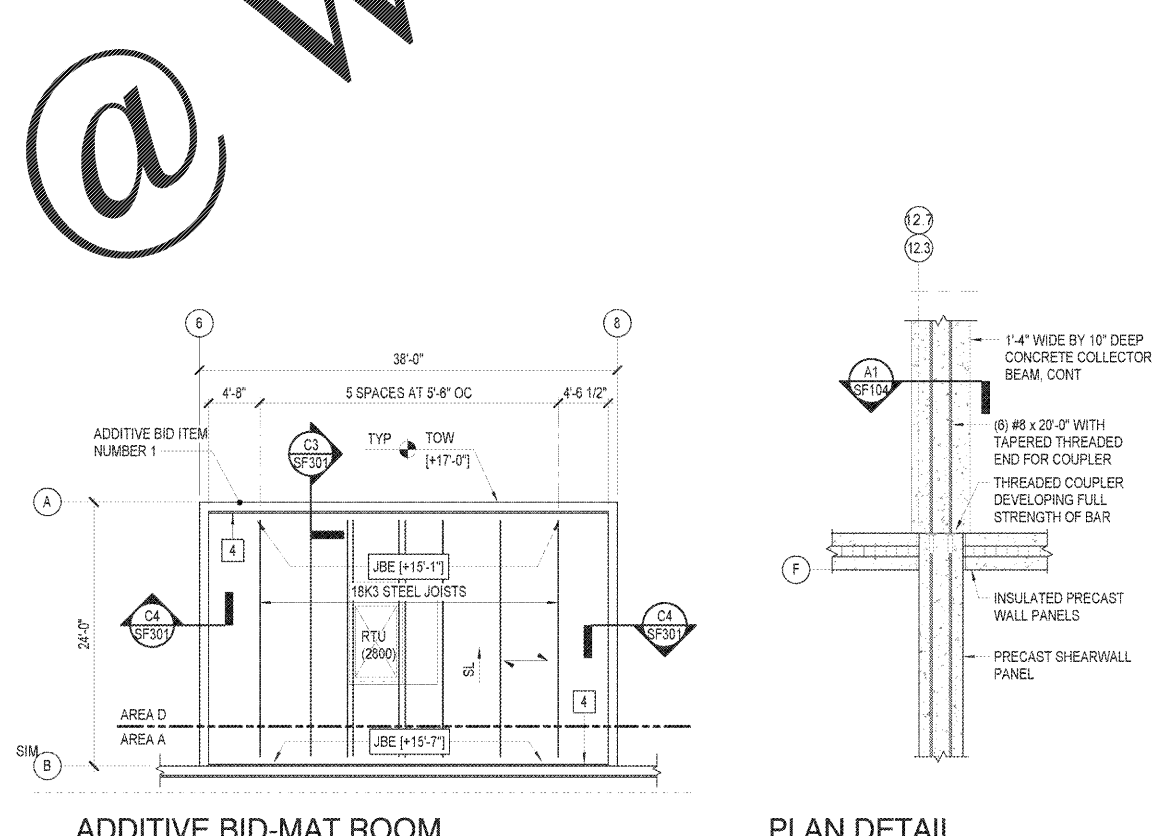
REVISIONS



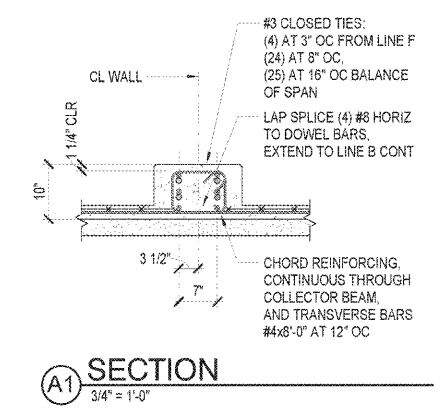
**ROOF FRAMING PLAN - AREA B**  
 1/8" = 1'-0"



**ROOF FRAMING PLAN - AREA D**  
 1/8" = 1'-0"



**PLAN DETAIL SHEARWALL COLLECTOR**  
 1/2" = 1'-0"

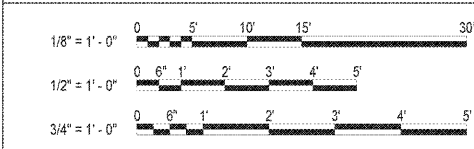


**A1 SECTION**  
 3/4" = 1'-0"

**ROOF FRAMING PLAN NOTES**

- SEE SHEET SF103 FOR ROOF FRAMING PLAN NOTES.
- ROOF FRAMING KEY NOTES**
- SEE SHEET SF103 FOR ROOF FRAMING KEY NOTES.

**GRAPHIC SCALE(S)**



**SF104**

5/20/18 1:09:11 PM  
 C:\proj\p\proj\938 Police Fire City Training Facility 01\_rmdmty\_ClarKnexsen.com.rvt