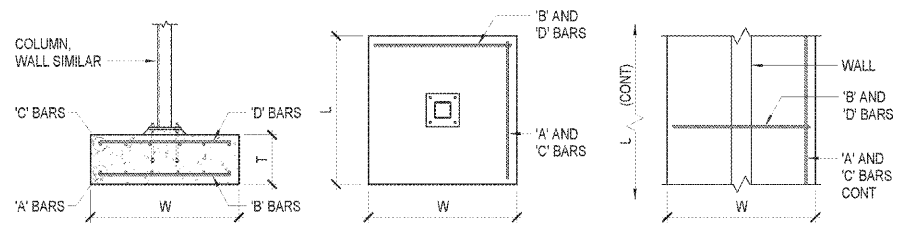
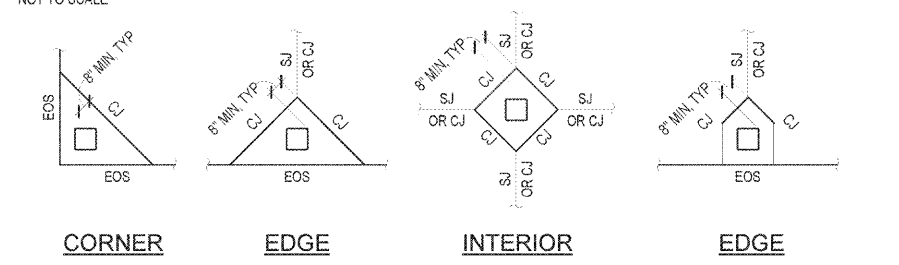


MARK	DIMENSIONS			REINFORCING			
	W	L	T	'A' BARS	'B' BARS	'C' BARS	'D' BARS
F4.0	4'-0"	4'-0"	1'-3"	(5) #5	(5) #5	(5) #5	(5) #5
F5.0	5'-0"	5'-0"	1'-3"	(6) #5	(6) #5	(6) #5	(6) #5
F6.0	6'-0"	6'-0"	1'-3"	(7) #5	(7) #5	(7) #5	(7) #5
F8.0	8'-0"	8'-0"	1'-3"	(10) #5	(10) #5	(10) #5	(10) #5
F9.0	9'-0"	9'-0"	1'-6"	(10) #5	(10) #5	(10) #5	(10) #5
F10.0	10'-0"	10'-0"	1'-6"	(13) #5	(13) #5	(13) #5	(13) #5
F11.0	11'-0"	11'-0"	1'-6"	(14) #5	(14) #5	(14) #5	(14) #5
VF3.0	3'-0"	CONT	1'-3"	(3) #5	#5 AT 18" OC	(3) #5	#5 AT 18" OC
VF3.5	3'-6"	CONT	1'-3"	(4) #5	#5 AT 16" OC	(4) #5	#5 AT 16" OC
VF4.0	4'-0"	CONT	1'-3"	(4) #5	#5 AT 16" OC	(4) #5	#5 AT 16" OC
VF5.0	5'-0"	CONT	1'-4"	(5) #5	#5 AT 16" OC	(5) #5	#5 AT 16" OC
VF8.0	8'-0"	CONT	1'-6"	(7) #6	#6 AT 10" OC	(7) #6	#6 AT 12" OC
VF10.0	10'-0"	CONT	2'-3"	(14) #5	#5 AT 9" OC	(14) #5	#5 AT 9" OC

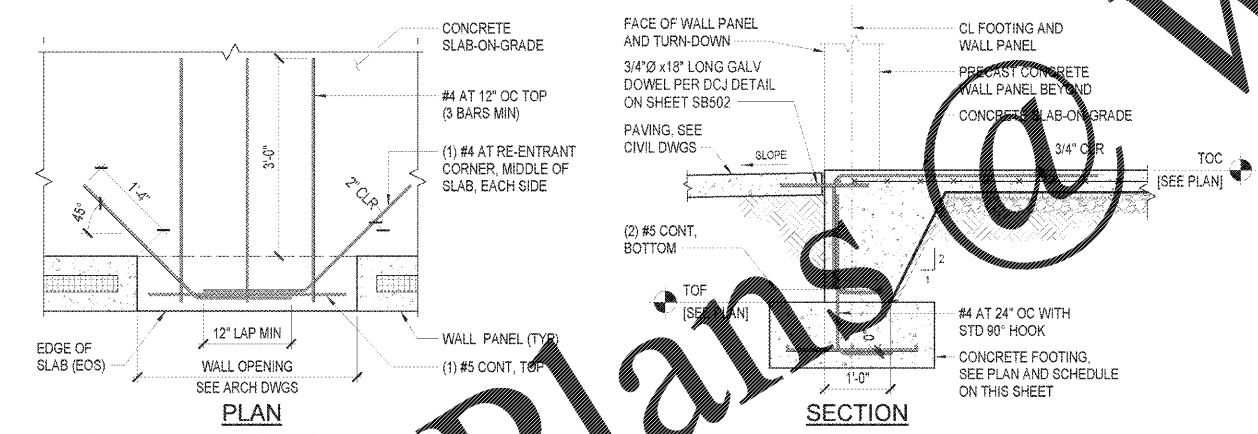
TYPE	ANCHOR RODS			BASE PLATE		
	ROD DIAMETER	EMBEDMENT L'	PROJECTION P'	LENGTH N'	WIDTH B'	THICKNESS T'
BPL1	3/4"	9"	6"	1'-2"	1'-2"	3/4"
BPL2	3/4"	1'-0"	6"	1'-0"	1'-0"	3/4"
BPL3	3/4"	1'-0"	6"	1'-2"	1'-2"	1 1/4"



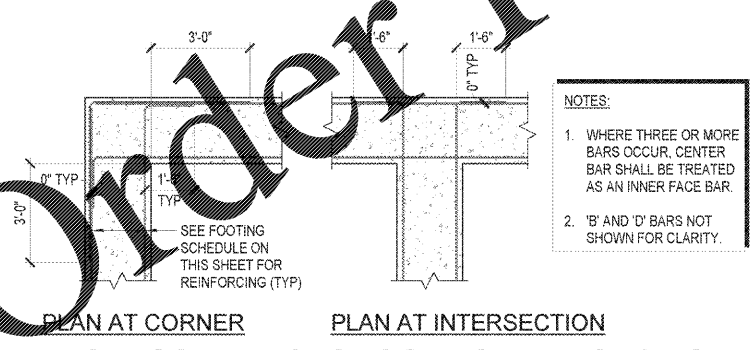
**TYPICAL FOOTING REINFORCING DIAGRAMS**  
NOT TO SCALE



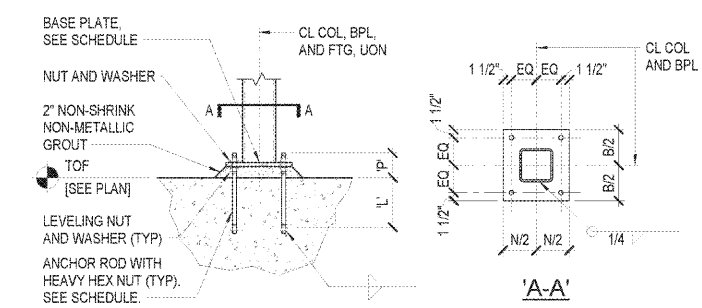
**TYPICAL COLUMN ISOLATION JOINT**  
NOT TO SCALE



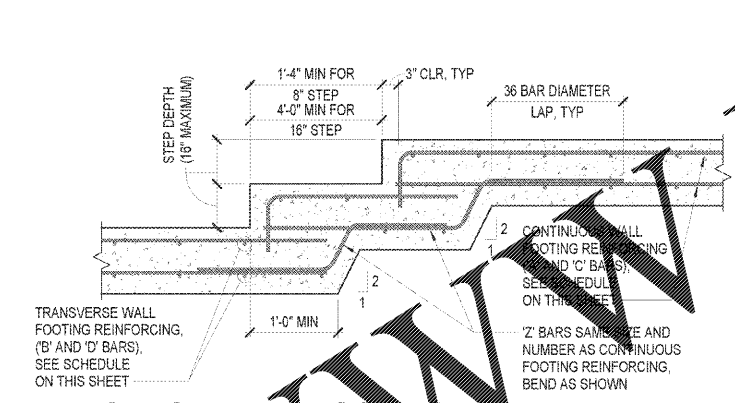
**TYPICAL EXTERIOR OPENING**  
NOT TO SCALE



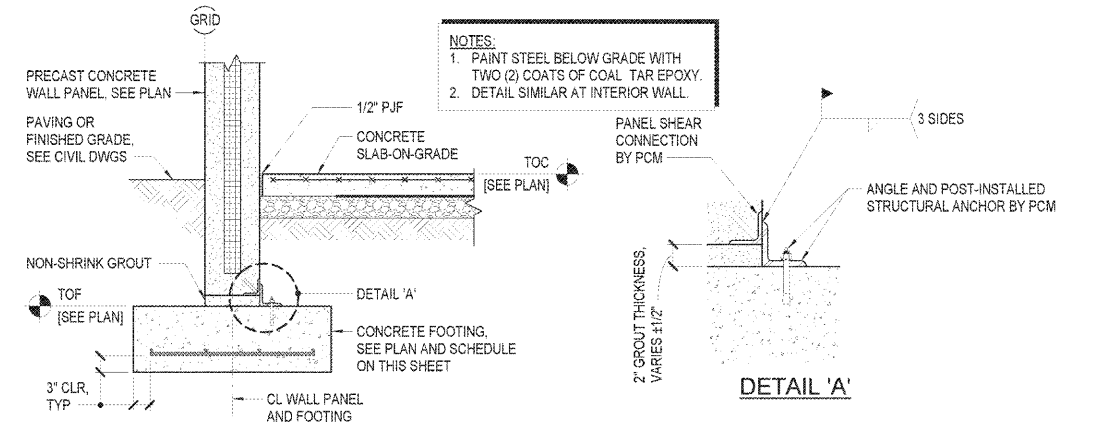
**TYPICAL CONTINUOUS FOOTING REINFORCING**  
NOT TO SCALE



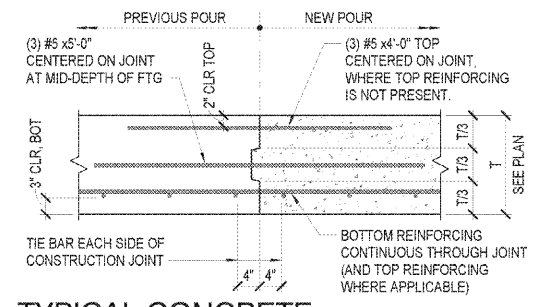
**TYPICAL ANCHOR ROD AND BASE PLATE**  
NOT TO SCALE



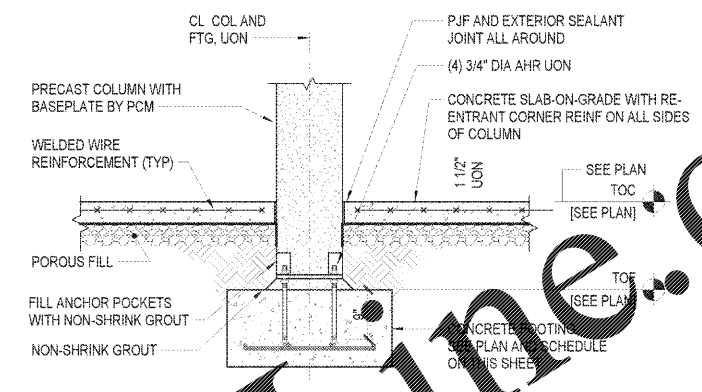
**TYPICAL STEPPED FOOTING**  
NOT TO SCALE



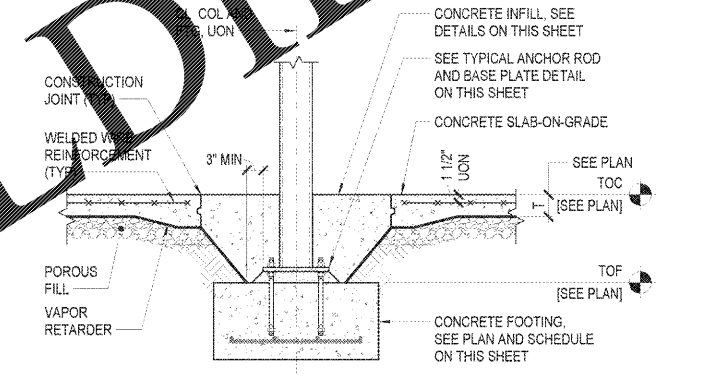
**TYPICAL FOUNDATION DETAIL AT EXTERIOR PRECAST WALL** (PCM MAY SUBMIT ALTERNATE)  
NOT TO SCALE



**TYPICAL CONCRETE FOOTING CONSTRUCTION JOINT**  
NOT TO SCALE



**TYPICAL PRECAST COLUMN FOOTING**  
NOT TO SCALE



**TYPICAL STEEL COLUMN FOOTING**  
NOT TO SCALE

WILMINGTON, NC  
**HAYNES / LACEWELL  
POLICE AND FIRE  
TRAINING FACILITY**  
3100 WEST STREET, WILMINGTON, NC 28405

DESIGNER  
**CLARK Nexsen**  
213 South Jefferson, Suite 1011  
Roanoke, Virginia 24011  
540-952-0800  
www.clarknexsen.com  
Clark Nexsen License Number: C-1026



SUBMITTAL  
4 MAY 2018  
**CONSTRUCTION DOCUMENTS**

SHEET  
**TYPICAL FOUNDATION DETAILS**

**SB501**

DESIGN: BSW  
DRAWN: SMM  
REVIEW: MGH  
CN 5938

5/20/18 11:29:30 PM  
C:\Users\pjohnson\OneDrive\Public\Fire City Training Facility\01\_foundation\ClarkNexsen\sb501.rvt