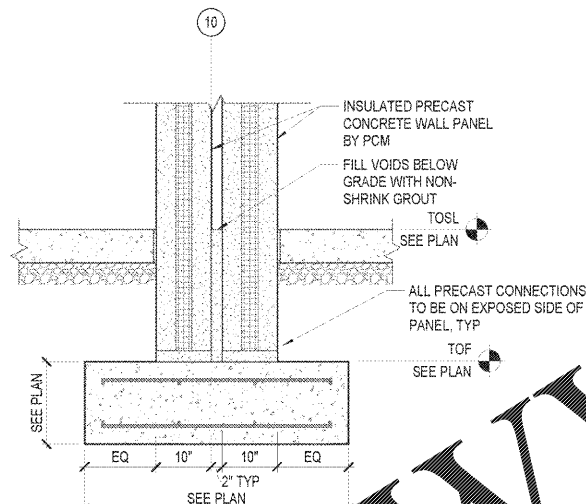
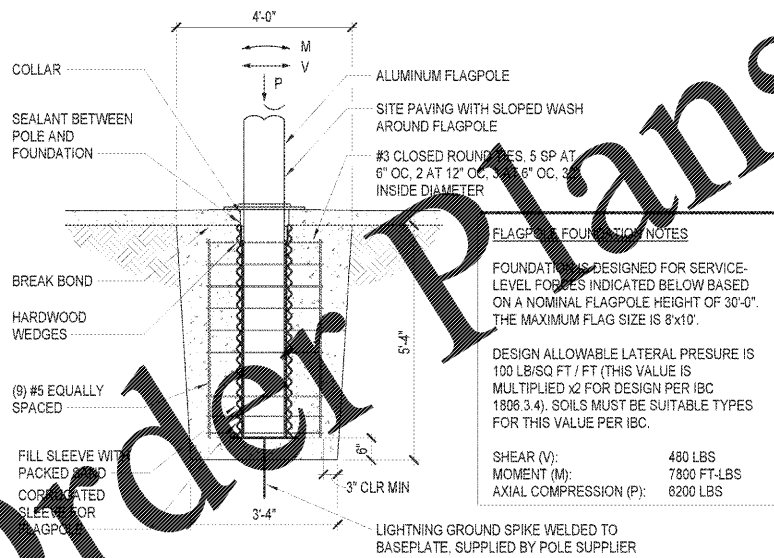


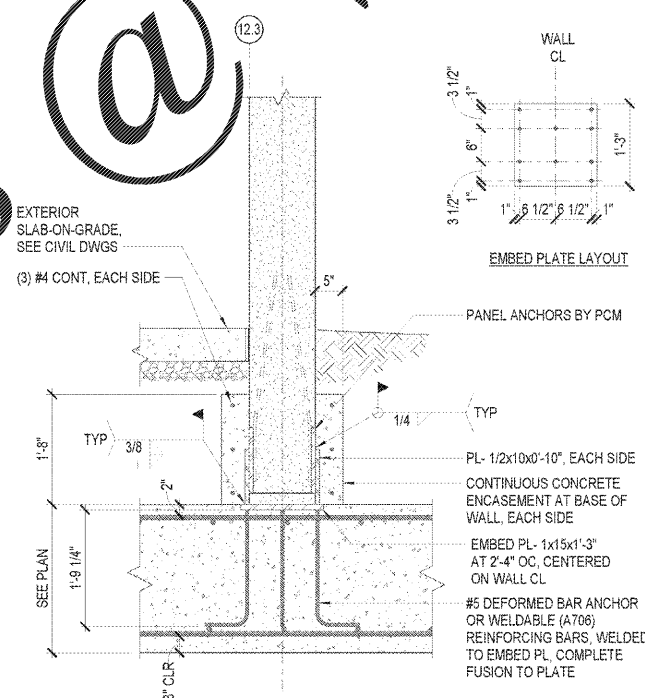
C1 SECTION
 3/4" = 1'-0"



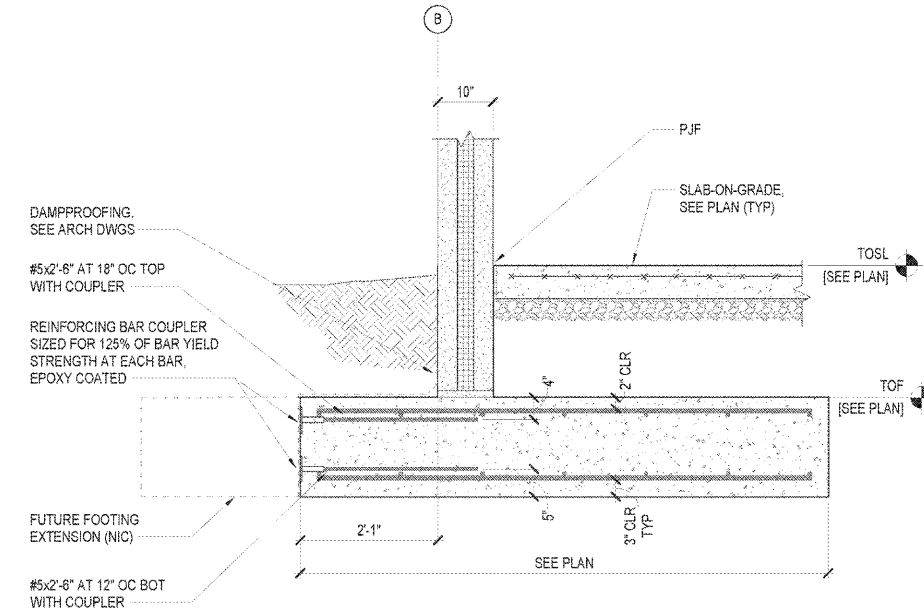
C2 SECTION
 3/4" = 1'-0"



FLAGPOLE FOUNDATION
 NOT TO SCALE



A2 SECTION
 3/4" = 1'-0"



A3 FOUNDATION SECTION AT NORTH RANGE WALL
 3/4" = 1'-0"

5/9/2018 11:59:36 AM
 C:\temp\Projects\2018-Police Fire City Training Facility 01_2_mechanically_ClarkNexsen.ctb