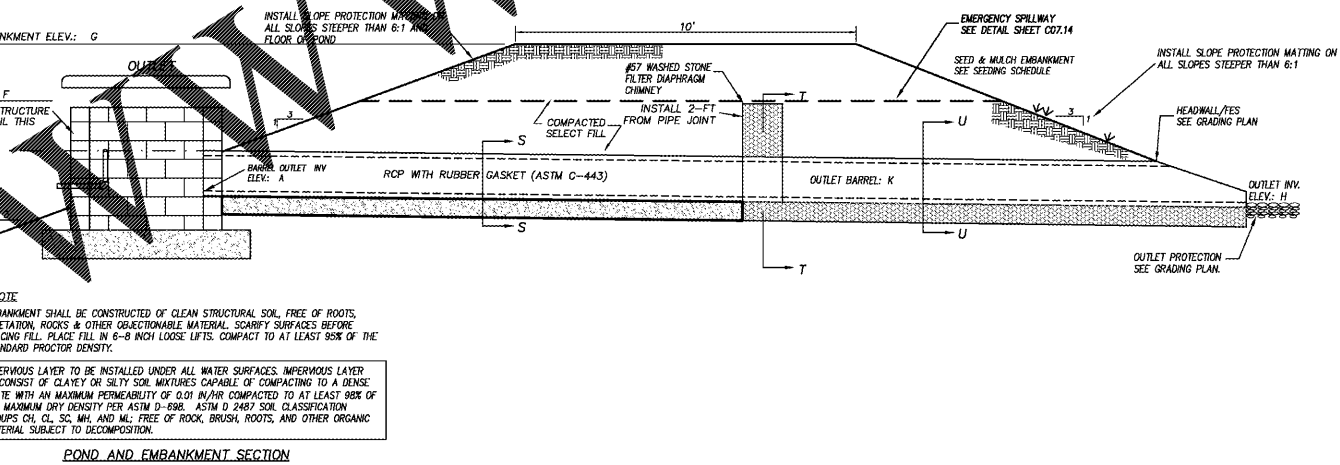
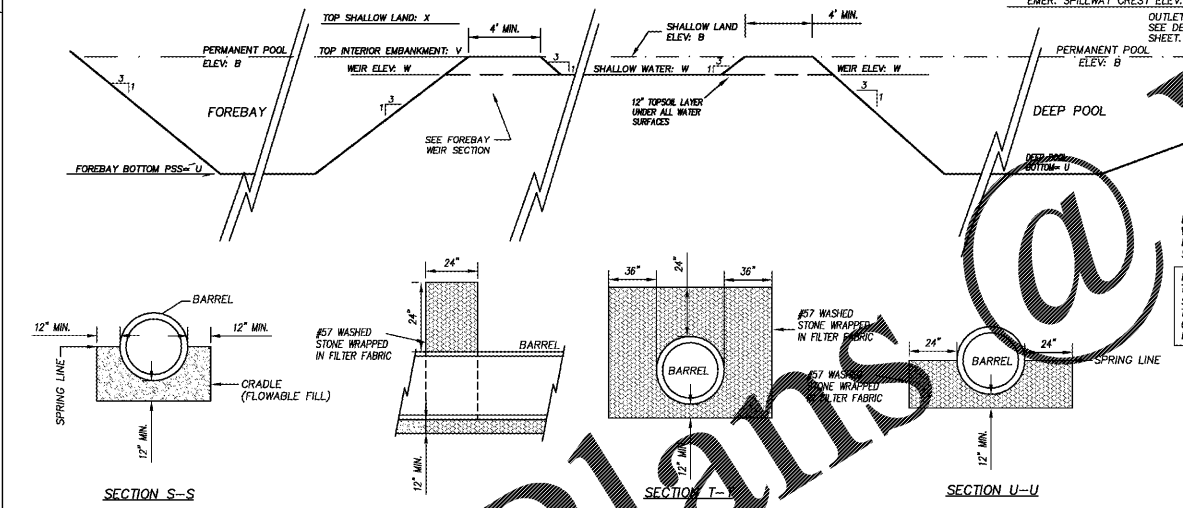


WETLAND MAINTENANCE SCHEDULE						
DESCRIPTION	METHOD	FREQUENCY	SEASON	DESCRIPTION	METHOD	FREQUENCY
EMBANKMENT				PLANTS		
INSPECT AND REPAIR EROSION / ANNUAL NESTINGS	VISUAL	ANNUALLY	ALL	REPLACE ANY DEAD OR DISEASED VEGETATION CONSIDERED BEYOND TREATMENT	SEE PLANTING SPECIFICATIONS	TWICE PER YEAR
DEBRIS / OBSTRUCTIONS	BY HAND	WHENEVER NEEDED	ALL	TREAT ALL DISEASED PLANTS NOT TO BE REMOVED	MECHANICAL OR BY HAND	WHENEVER NEEDED
FOREBAY / DEEP POOL				REPLACE SUPPORT STAKES		
SEDIMENT / DEBRIS	BY HAND	ONCE PER 8 MONTHS OR WHEN 1/2 FULL OF SEDIMENT	ALL	REPLACE DEFICIENT STAKES OR WIRES	BY HAND	WHENEVER NEEDED

CONTRACTOR SHALL BE RESPONSIBLE FOR MAINTENANCE UNTIL SUBSTANTIAL COMPLETION AT WHICH TIME THE OWNER WILL ASSUME MAINTENANCE RESPONSIBILITY.
 LANDSCAPE WARRANTIES SHALL APPLY TO STORMWATER WETLAND PLANTINGS.

- OUTLET STRUCTURE NOTES:**
- ALL STRUCTURES OVER 3'-6" IN DEPTH TO BE PROVIDED WITH STEPS 1'-2" ON CENTERS. STEPS SHALL BE IN ACCORDANCE WITH STANDARD 840.66.
 - LOCATE MANHOLE OVER STEPS.
 - CLASS "A" (3,000 PSI) CONCRETE TO BE USED.
 - ALL MOTOR JOINTS ARE 1/2" ± 1/8".
 - GROUT SHALL BE NON-SHRINK (ASTM-C1107).
 - CONCRETE BLOCK SHALL MEET MCDOT SPECIFICATION SECTION 1040-1.
 - BLOCK SHALL BE RED IN COLOR AND SUBSTANTIALLY FREE FROM CHIPS AND CRACKS.

- TEMPORARY SEDIMENT BASIN NOTES:**
- INSPECT DEVICE AFTER EACH RAINFALL. REMOVE SEDIMENT WHEN SEDIMENT REACHES A DEPTH OF NO MORE THAN ONE-HALF THE HEIGHT OF THE RISER. REPAIR BAFFLES IF DAMAGED.
 - PULL SKIMMER TO SIDE OF BASIN WITH ROPE AND INSPECT REGULARLY. KEEP SKIMMER HEAD, ORIFICE AND PIPE FREE OF DEBRIS. REMOVE SEDIMENT FROM BENEATH SKIMMER AND ENSURE VEGETATION DOES NOT INTERFERE WITH SKIMMER OPERATION.
 - PROVIDE PAINT MARK ON RISER AT 12" HEIGHT. CLEAN AND REPAIR ONCE SEDIMENT REACHES MARK.
 - INSTALL ALL COMPONENTS OF POND EMBANKMENT, OUTLET STRUCTURE, SKIMMER, EMERGENCY SPILLWAY, ETC. (UNLESS NOTED) PRIOR TO BEGINNING CLEARING OPERATIONS.
 - SEE SHEET 007.01 FOR TEMPORARY BAFFLE INSTALLATION.



NOTE:
 EMBANKMENT SHALL BE CONSTRUCTED OF CLEAN STRUCTURAL SOIL, FREE OF ROOTS, VEGETATION, ROCKS & OTHER COLLECTIONABLE MATERIAL. SCARIFY SURFACES BEFORE PLACING FILL. PLACE FILL IN 6-8 INCH LIFTS, COMPACT TO AT LEAST 80% OF THE STANDARD PROCTOR DENSITY.
 IMPERVIOUS LAYER TO BE INSTALLED UNDER ALL WATER SURFACES. IMPERVIOUS LAYER TO CONSIST OF CLAYEY OR SILTY SOIL MIXTURES CAPABLE OF COMPACTING TO A DENSE STATE WITH AN MAXIMUM PERMEABILITY OF 0.01 IN/HR COMPACTED TO AT LEAST 80% OF THE MAXIMUM DRY DENSITY PER ASTM D-1558. ASTM D 2447 SOIL CLASSIFICATION GROUPS CH, CL, SC, MH, AND ML; FREE OF ROCK, BRUSH, ROOTS, AND OTHER ORGANIC MATERIAL SUBJECT TO DECOMPOSITION.

- CONSTRUCTION SEQUENCE**
- THE STORMWATER WETLAND SHALL BE UTILIZED AS A TEMPORARY SEDIMENT BASIN DURING CONSTRUCTION.
 - SCHEDULE THE FOLLOWING WORK TO COINCIDE WITH AN EXTENDED FORECAST OF NO PRECIPITATION SUCH THAT ALL WORK CAN BE COMPLETED DURING A PERIOD OF DRY WEATHER. INSTALL COFFER DAM UPSTREAM OF POND IN CASE OF AN UNEXPECTED PRECIPITATION EVENT. UTILIZE MUD PUMP WITH FLOATING SUCTION INLET THROUGH A SEDIMENT FILTER BAG LOCATED DOWNSTREAM OF BASIN.
 - INSTALL WETLAND BARREL, OUTLET STRUCTURE, EMBANKMENT, EMERGENCY SPILLWAY AND OTHER WETLAND COMPONENTS.
 - CALL FOR SITE INSPECTION PRIOR TO BACKFILLING WETLAND BARREL.
 - INSTALL TEMPORARY SKIMMER ON WETLAND DRAIN. DRAIN VALVE SHALL REMAIN OPEN. REMOVE SKIMMER ONCE POND IS NO LONGER UTILIZED AS TEMPORARY SEDIMENT BASIN.
 - EXCAVATE WETLAND TO TEMPORARY SEDIMENT BASIN DIMENSIONS. EROSION CONTROL PLAN.
 - INSTALL BAFFLES AND OTHER TEMPORARY SKIMMER BASIN COMPONENTS. SEE TEMPORARY SKIMMER BASIN DETAIL.
 - SEED ALL DISTURBED AREAS.
 - FOLLOWING COMPLETION OF CONSTRUCTION AND STABILIZATION OF POND DRAINAGE BASIN, PERFORM THE FOLLOWING:
 - SCHEDULE THE FOLLOWING WORK TO COINCIDE WITH AN EXTENDED FORECAST OF NO PRECIPITATION SUCH THAT ALL WORK CAN BE COMPLETED DURING A PERIOD OF DRY WEATHER. INSTALL COFFER DAM UPSTREAM OF FOREBAY IN CASE OF AN UNEXPECTED PRECIPITATION EVENT. UTILIZE MUD PUMP WITH FLOATING SUCTION INLET THROUGH A SEDIMENT FILTER BAG LOCATED DOWNSTREAM OF BASIN.
 - REMOVE TEMPORARY BAFFLES.
 - REMOVE ALL RELATED SEDIMENT AND STABILIZATION OF POND DRAINAGE BASIN, PERFORM THE FOLLOWING:
 - INSTALL WEIR LINE AND ARMORED CHANNEL OF FOREBAY WEIRS.
 - IF ADDITIONAL WEIRING IS NEEDED BELOW DRAIN/SKIMMER ELEVATION, UTILIZE A MUD PUMP WITH FLOATING SUCTION INLET AND DISCHARGE REMAINING WATER THROUGH A SEDIMENT FILTER BAG LOCATED OUTSIDE OF THE BASIN. MONITOR PUMPING TO ENSURE FLOW DOES NOT EXCEED THE CAPACITY OF FILTER BAG.
 - INSTALL AN ANNE GRAD TOPSOIL TO FINISH GRADES.
 - INSTALL TEMPORARY SLOPE LININGS.
 - REMOVE TEMPORARY CAP/BLOCKING FROM PRIMARY SPILLWAY.
 - INSTALL WETLAND PLANTINGS.
 - PERFORM DETAILED TOPOGRAPHIC SURVEY.
 - FOLLOWING APPROVAL OF SURVEY, REMOVE TEMPORARY SKIMMER AND CLOSE DRAIN VALVE.

STORMWATER WETLAND SCHEDULE					
SCM NUMBER	SCM-2	DESCRIPTION	SCM NUMBER	SCM-2	DESCRIPTION
A (FT)	26.00	BARREL OUTLET ELEVATION	Q (IN)	7/8	PRIMARY SPILLWAY ORIFICE
B (FT)	26.00	PRIMARY SPILLWAY CONTROL ELEVATION	R (IN)	4	DRAIN VALVE DIAMETER
C (FT)	27.00	SECONDARY SPILLWAY ELEVATION	S (IN)	1.5 & 1.25	SKIMMER DIAMETER & ORIFICE DIAMETER
D (FT)	28.25	RIM ELEVATION	T (FT)	26.83	TEMPORARY SEDIMENT STORAGE ELEVATION
E (FT)	29.42	TOP SLAB ELEVATION	U (FT)	24.00	BMP BOTTOM ELEV.
F (FT)	28.75	EMERGENCY SPILLWAY CREST ELEVATION	V (FT)	26.00	TOP INTERIOR EMBANKMENT
G (FT)	30.00	TOP OF EMBANKMENT ELEVATION	W (FT)	25.50	SHALLOW WATER BOTTOM ELEV.
H (FT)	25.76	INVERT OUT OF BARREL	X (FT)	27.00	SHALLOW LAND TOP ELEV.
I (FT)	4	OUTLET STRUCTURE INTERIOR WIDTH	1-YR STORM ELEV.	27.41'	
J (FT)	4	OUTLET STRUCTURE INTERIOR LENGTH	2-YR STORM ELEV.	27.67'	
K	48 LF 24"RCP	OUTLET BARREL	10-YR STORM ELEV.	28.28'	
L (FT)	10	EMERGENCY SPILLWAY WIDTH	25-YR STORM ELEV.	28.48'	
M (IN)	24	SECONDARY SPILLWAY WIDTH	50-YR STORM ELEV.	28.61'	
N (IN)	9	THROAT OPENING HEIGHT	100-YR STORM ELEV.	28.75'	
O (IN)	6	CONCRETE BASE EXTENSION WIDTH	SHWT ELEV.	27.00'	SEASONAL HIGH WATER TABLE ELEVATION
P (IN)	9	CONCRETE BASE EXTENSION THICKNESS	CLAY LINER	NO	CLAY LINER REQUIRED

- AS-BUILT SURVEY REQUIREMENTS**
- NOTE: CONTRACTOR SHALL PROVIDE AS-BUILT TOPOGRAPHIC SURVEY PERFORMED BY A PROFESSIONAL LAND SURVEYOR CERTIFYING WET DETENTION POND AREA DIMENSIONS AND ELEVATIONS OF THE FOLLOWING:
- OUTLET STRUCTURE TOPS AND INVERTS, ORIFICE/WEIR DIAMETERS, BARREL PIPE SIZES AND INVERTS AND STRUCTURE HEIGHT & WIDTH DIMENSIONS.
 - EMERGENCY SPILLWAY ELEVATION AND DIMENSIONS.
 - TOPOGRAPHY THAT EXTENDS 20 FEET OUTSIDE LIMITS OF POND WATER SURFACE AND EMBANKMENT.
 - CONTRACTOR PROVIDE TEST RESULTS OF CLAY LINER.
 - CONTRACTOR TO PROVIDE PHOTOS OF BMP INSTALLATION AT EACH PHASE OF CONSTRUCTION.

APPROVED STORMWATER MANAGEMENT PLAN
 Date: _____ Permit # _____
 Signed: _____
 APPROVED CONSTRUCTION PLAN
 NAME DATE
 PLANNING _____
 TRAFFIC _____
 FIRE _____