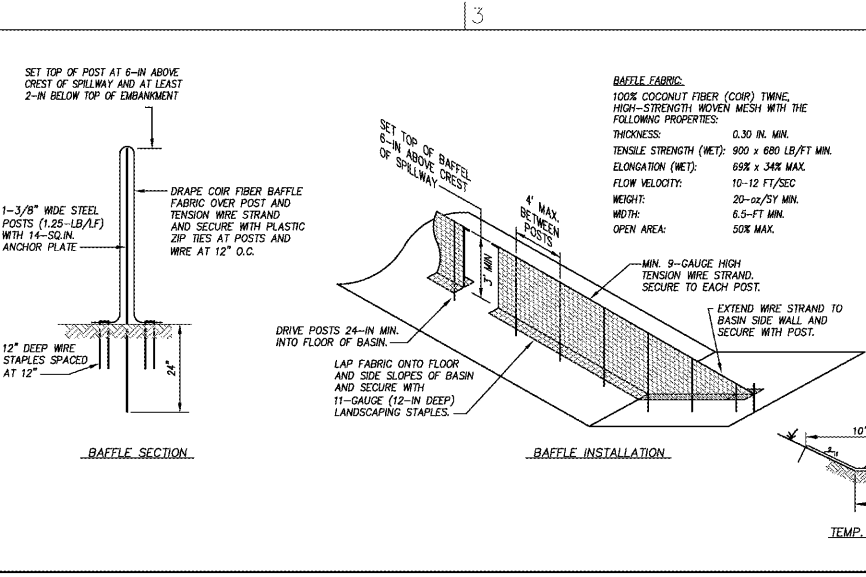
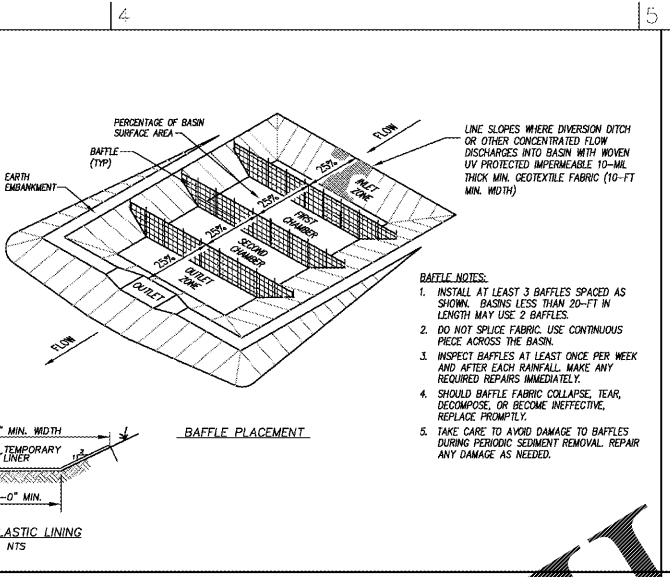


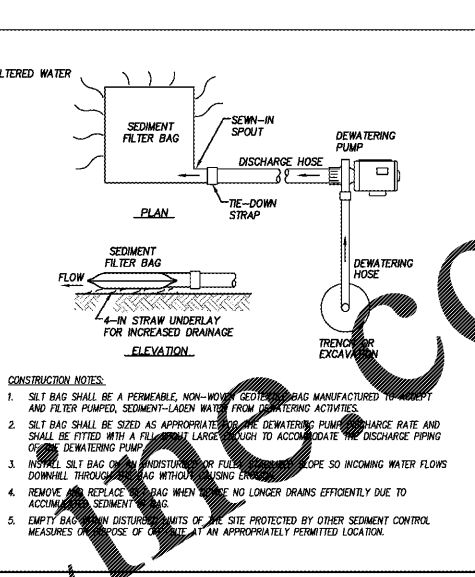
TEMPORARY COMPOST SOCK CHECK DAM N.T.S.



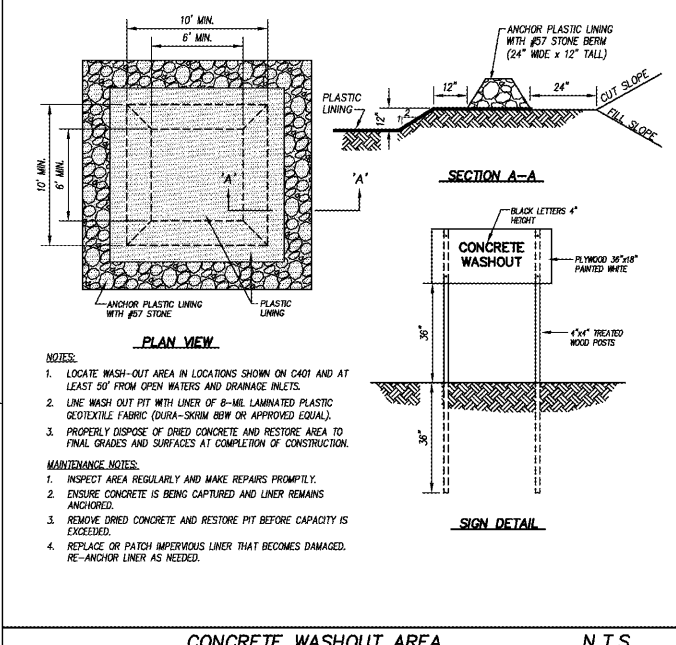
TEMPORARY BASIN BAFFLES N.T.S.



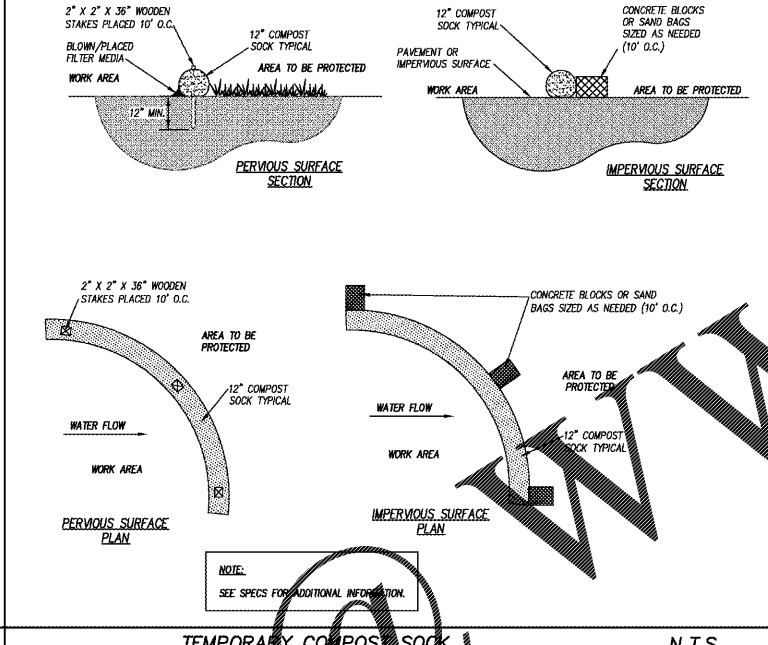
TEMPORARY DIVERSION DITCH / BERM N.T.S.



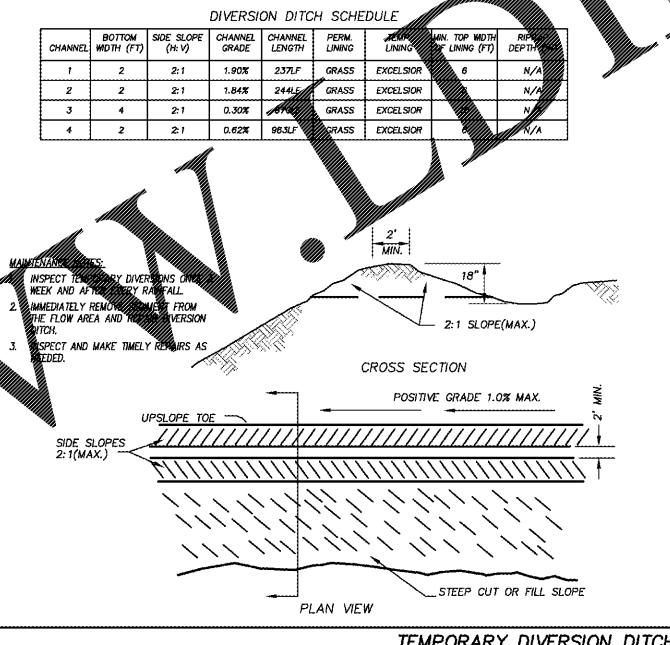
DEWATERING SEDIMENT FILTER BAG N.T.S.



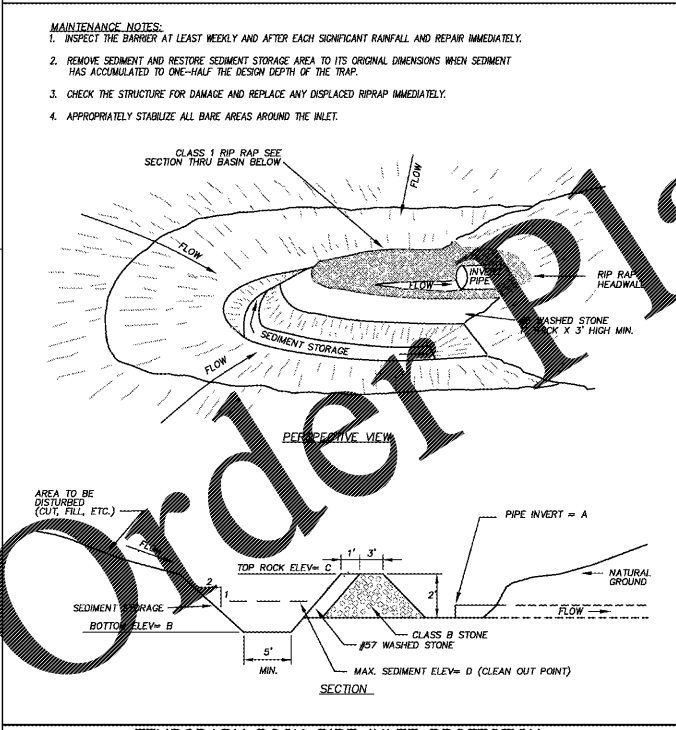
CONCRETE WASHOUT AREA N.T.S.



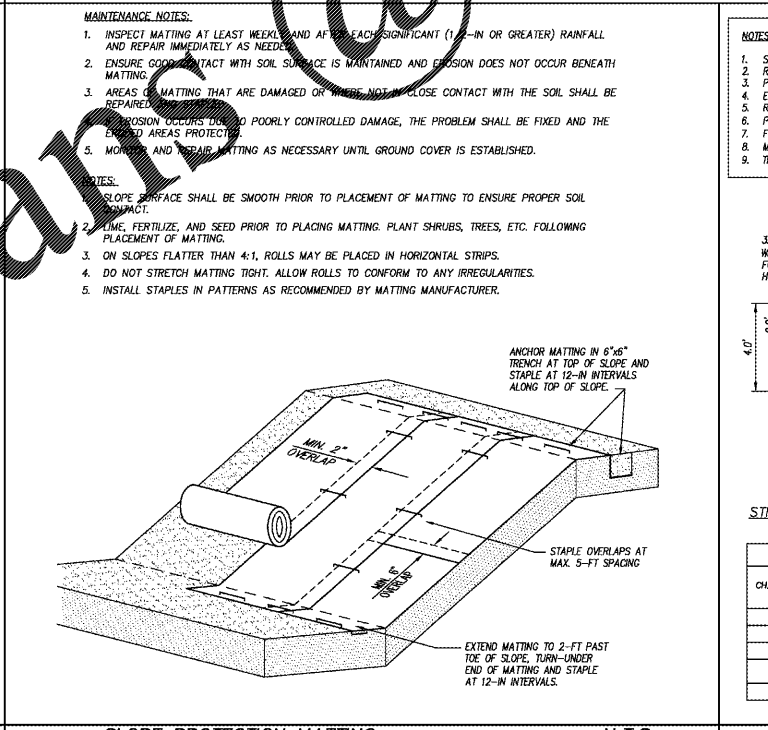
TEMPORARY COMPOST SOCK N.T.S.



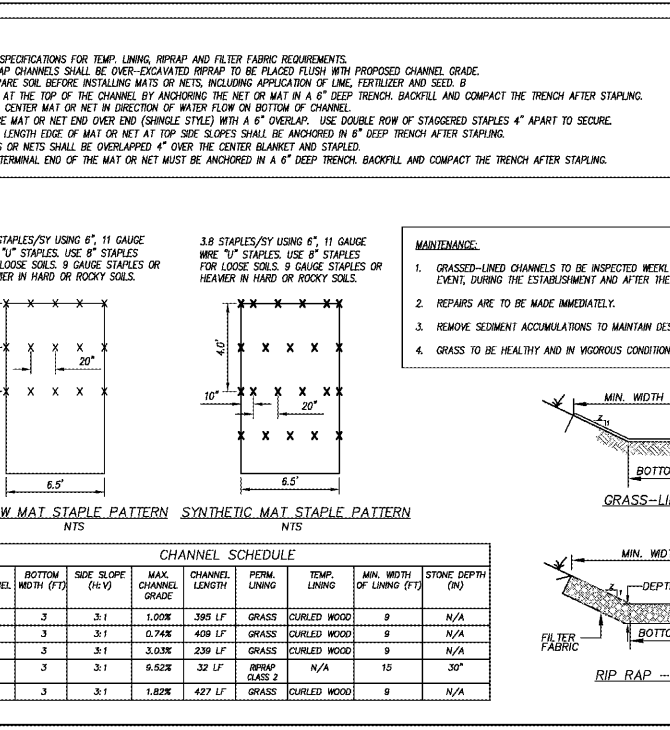
TEMPORARY DIVERSION DITCH / BERM N.T.S.



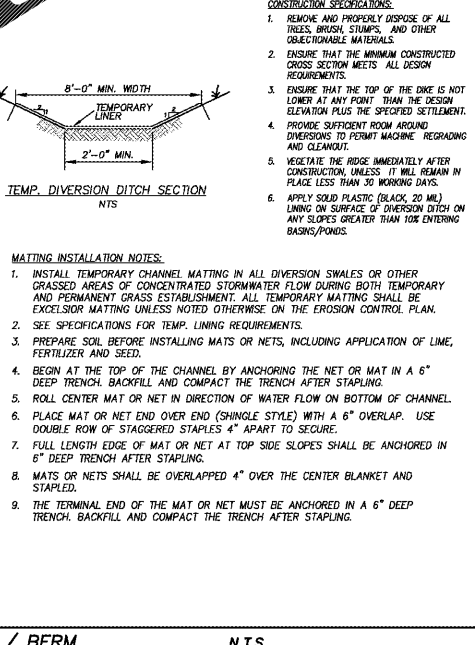
TEMPORARY ROCK PIPE INLET PROTECTION N.T.S.



SLOPE PROTECTION MATting N.T.S.



CHANNEL SECTIONS N.T.S.



TEMPORARY LINER N.T.S.

WILMINGTON, NC

HAYNES / LACEWELL
POLICE AND FIRE
TRAINING FACILITY
3100 HURST STREET WILMINGTON, NC 28405

DESIGNER

CLARK NEXSEN
213 South Jefferson Street, Suite 1011
Roanoke, Virginia 24011
T: 540-982-0800 F: 540-982-1193
WWW.CLARKNEXSEN.COM
CLARK NEXSEN LICENSE NUMBER: C-1028

CONSULTANT

CLH DESIGN, P.A.
Regency Park
400 Regency Forest Drive
Suite 100
Cary, North Carolina 27518
Phone: (919) 318-0716
Fax: (919) 318-7516
LA: C-106, PE: C-1595

SEALS

NORTH CAROLINA
PROFESSIONAL
ENGINEER
KATHLEEN A. LOVING
05/04/18

SUBMITTAL
4 MAY 2018

CONSTRUCTION DOCUMENTS

SHEET

DESIGN: ZRP
DRAWN: YA, DL
REVIEW: ZRP, KAL

CN 5938
CLH 16-161