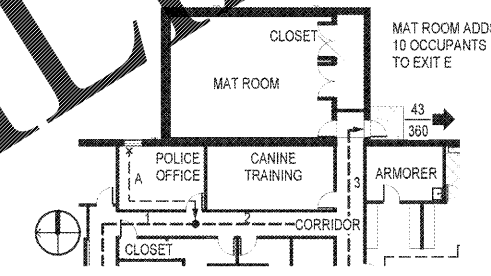


USE GROUP	OCCUPANCY
A3	127
B	144
S1	9
<b>TOTAL</b>	<b>280</b>



**LIFE SAFETY PLAN- MAT ROOM**  
 1/16" = 1'-0"

FIRING RANGE EXIT TRAVEL DISTANCE SCHEDULE	
PATH ID	DISTANCE
1	183'
2	183'
3	96'

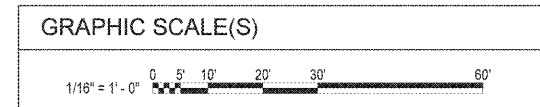
200' ALLOWED PER TABLE 1016.1  
 NO DEAD END CORRIDORS.

ADMINISTRATION BLDG EXIT TRAVEL DISTANCE SCHEDULE	
PATH ID	DISTANCE
1	103'
2	68'
3	94'
4	109'
5	44'
6	76'
7	90'

250' ALLOWED PER TABLE 1016.1  
 NO DEAD END CORRIDORS.  
 DOORS WITH PANIC HARDWARE:  
 100, 102, 102B, 105, 108, 108B, 117A, 119B, 138.

ADMINISTRATION BLDG COMMON PATH OF TRAVEL SCHEDULE	
PATH ID	DISTANCE
A	26'
B	71'
C	10'
D	26'

75' ALLOWED PER 1014.3



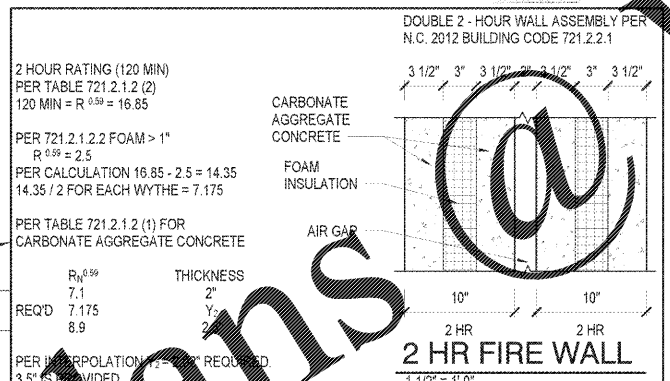
**LIFE SAFETY PLAN**  
 1/16" = 1'-0"

BUILDING IS MORE THAN 30'-0" FROM ANY EXISTING BUILDING OR PROPERTY LINE

**FIRE-RESISTANCE RATED PRECAST CONCRETE WALL PANELS**

- FIRE-RESISTANCE DESIGN OF PRECAST CONCRETE WALL PANELS IS INCLUDED AS PART OF THE PRECAST CONCRETE DELEGATED DESIGN. PROVIDE PRECAST CONCRETE UNITS WHOSE FIRE RESISTANCE COMPLIES WITH ONE OF THE FOLLOWING, AND IS ACCEPTABLE TO AUTHORITIES HAVING JURISDICTION:
  - PRESCRIPTIVE REQUIREMENTS OF SECTION 720 OF THE 2012 NORTH CAROLINA BUILDING CODE.
  - FIRE RESISTANCE HAS BEEN CALCULATED ACCORDING TO SECTION 721 OF THE 2012 NORTH CAROLINA BUILDING CODE.
  - FIRE RESISTANCE HAS BEEN CALCULATED ACCORDING TO ACI 216.1.
  - FIRE RESISTANCE HAS BEEN CALCULATED ACCORDING TO PCI MNL 124.
- INCLUDE ANALYSIS DATA FOR FIRE-RESISTANCE RATING IN DELEGATED DESIGN SUBMITTAL FOR PRECAST CONCRETE.

BASIS OF DESIGN IS AS FOLLOWS:



- Wall Assembly — Min 2-1/2 in. (64 mm) thick reinforced lightweight or normal weight (100-150 pcf or 1600-2400 kg/m<sup>3</sup>) concrete. Wall must also be constructed of any UL Classified Concrete Blocks\*. Max diam of opening is 12-1/2 in. (318 mm). See Concrete Blocks (CAZT) category in the Fire Resistance Directory for names of manufacturers.
- Through-Penetrants — One metallic pipe, conduit or tubing to be centered within the firestop system. The annular space between pipe, conduit or tubing and firestop assembly shall be min 1/2 in. (13 mm) to max 7/8 in. (22 mm). Pipe, conduit or tubing to be rigidly supported on both sides of wall assembly. The following types and sizes of metallic pipes, conduits or tubing may be used:
  - Steel Pipe — Min 10 in. (254 mm) diam (or smaller) Schedule 10 (or heavier) steel pipe.
  - Conduit — Min 1 in. (25.4 mm) diam (or smaller) steel electrical metallic tubing or nom 6 in. (152 mm) diam (or smaller) steel conduit.
  - Copper Tubing — Nom 4 in. (102 mm) diam (or smaller) Type L (or heavier) copper tubing.
  - Copper Pipe — Nom 4 in. (102 mm) diam (or smaller) Regular (or heavier) copper pipe.
- Fill, Void or Cavity Material\* — Sealant — Min 5/8 in. (16 mm) or 1-1/4 in. (32 mm) thickness of fill material applied within the annulus, flush with both surfaces of wall for 1 hr and 2 hr fire-rated walls, respectively.

HILTI CONSTRUCTION CHEMICALS, DIV OF HILTI INC — CP 601s, CFS-S-IL GG or FS-ONE Sealant or FS-ONE MAX Intumescent Sealant.

\* Indicates such products shall bear the UL or cUL Certification Mark for jurisdictions employing the UL or cUL Certification (such as Canada), respectively.

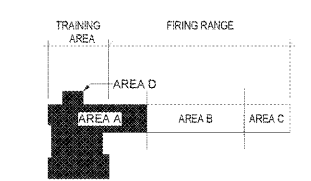
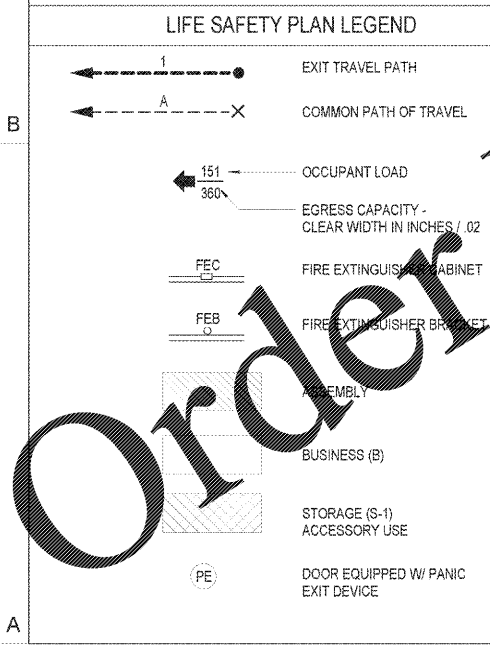
Last Updated on 2015-01-21

2015 UL LLC

Reprinted from the Online Certifications Directory with permission from UL

Number	USE GROUP	OCCUPANCY (TABLE 1004.1.2)	OCCUPANCY # AND EXIT	GROSS SQUARE FOOTAGE	NET SQUARE FOOTAGE
100	B	100 G	1 N	77 SF	
101	B	100 G	9 N	653 SF	
102	A3	15 N	41 N		615 SF
102A	S1	300 G	1 N	71 SF	
103	B	100 G	1 N	56 SF	
104	B	300 G	1 N	30 SF	
105	A3	15 N	44 N		652 SF
106	B	100 G	1 N	53 SF	
107	B	100 G	1 N	53 SF	
108	A3	15 N	42 N		619 SF
108A	S1	300 G	1 N	71 SF	
109	B	100 G	2 N	156 SF	
109A	B	100 G	1 N	13 SF	
110	B	100 G	3 N	250 SF	
111	B	300 G	1 E	32 SF	
112	B	100 G	2 E	178 SF	
113	B	50 G	3 E	131 SF	
114	B	100 G	2 E	181 SF	
115	B	50 G	6 E	272 SF	
116	B	100 G	3 E	289 SF	
117	B	100 G	5 E	434 SF	
118	B	100 G	9 E	749 SF	
118A	B	300 G	2 E	119 SF	
119	B	100 G	4 E	317 SF	
120	B	100 G	4 E	305 SF	
121	B	100 G	2 E	140 SF	
122	S1	300 G	1 E	128 SF	
123	B	ACTUAL NUMBER	25-	15541 SF	

Number	USE GROUP	OCCUPANCY (TABLE 1004.1.2)	OCCUPANCY # AND EXIT	GROSS SQUARE FOOTAGE	NET SQUARE FOOTAGE
124	S1	300 G	2 E	300 SF	461 SF
125	B	300 G	1 E		51 SF
126	B	300 G	1 E		51 SF
127	B	100 G	4 S		59 SF
128	B	300 G	1 S		127 SF
129	B	300 G	1-		126 SF
130	B	100 G	8 S		726 SF
130A	B	100 G	1 S		37 SF
131	B	100 G	1 S		70 SF
132	B	100 G	1 S		70 SF
133	B	100 G	3 W		54 SF
133A	B	100 G	3 W		263 SF
133B	B	100 G	1 W		53 SF
133C	B	100 G	1 W		53 SF
134	S1	300 G	1 W		295 SF
135	S1	300 G	3 W		924 SF
136	B	300 G	1-		83 SF
137	B	100 G	2 W		87 SF
138	B	100 G	3 W		238 SF
139	B	100 G	2 W		101 SF
140	B	100 G	2 W		104 SF
141	B	100 G	2 W		104 SF
142	B	100 G	2 W		104 SF
143	B	100 G	2 W		104 SF
144	B	100 G	2 W		161 SF
145	B	100 G	2 W		189 SF
146	B	100 G	3 N		296 SF
146A	B	100 G	1 S		13 SF
147	B	50 G	3 W		121 SF
148	B	50 G	6 W		273 SF
149	B	100 G	3 W		222 SF



**LIFE SAFETY PLAN**

**GI101**

5/16/2015 9:01:03 AM  
 C:\Print Projects\55553\Police Fire City Training Facility A11\_mhney.rvt