

Owner and all Contractors to check and verify existing dimensions and conditions in the field before starting construction and to notify TriMark of any material or detail changes.

ISSUANCE

DATE	NO.	DESCRIPTION
XX/XX/XXXX	-	-

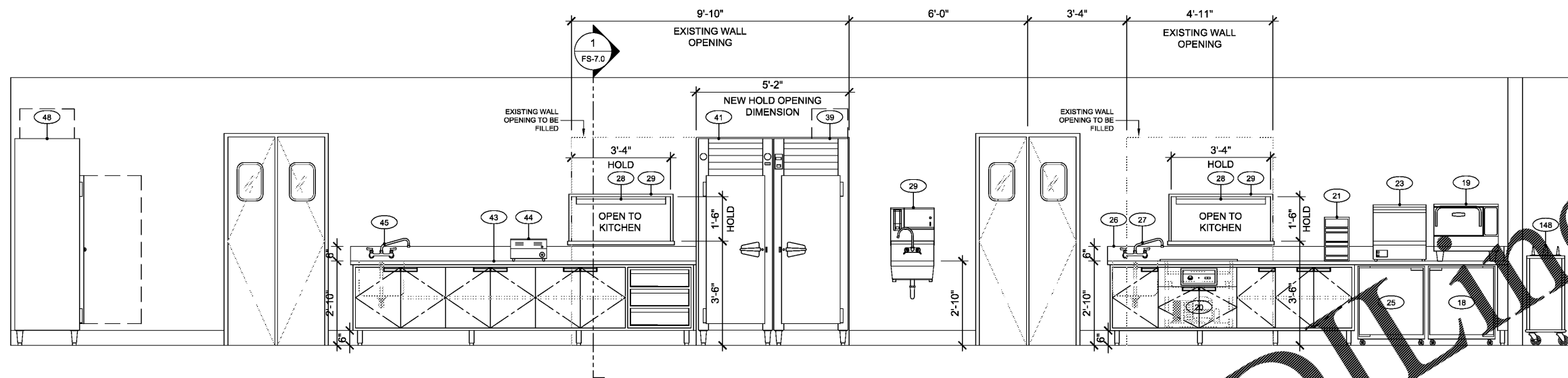
Charleston AFB, SC
Project Address

DFAC - F.T.I. Project

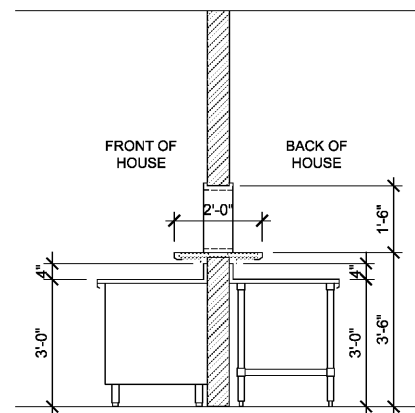
PROJECT NUMBER:	Project Number
DATE:	19th April, 2018
SCALE:	
DRAWN BY:	APPROVED BY:
ADK	RIM

SHEET TITLE:
**FOODSERVICE
DETAILS AND
ELEVATIONS**

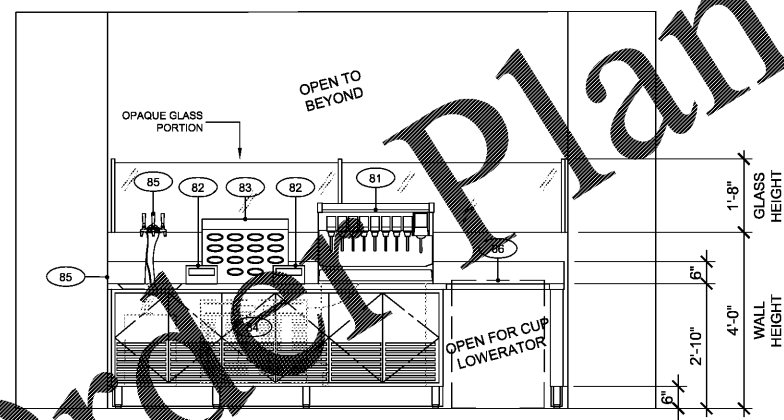
SHEET NUMBER:
FS-7.0



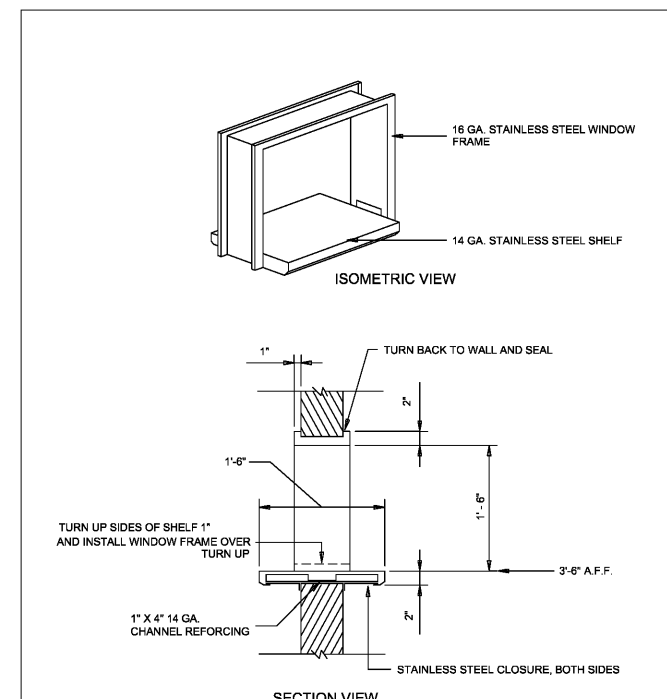
A ELEVATION @ BACK WALL
FS-1.0 1/2" = 1'-0"



1 SECTION @ PASS-THRU WINDOW
FS-7.0 1/2" = 1'-0"



B ELEVATION @ BEVERAGE COUNTER
FS-1.0 1/2" = 1'-0"



REFER TO WRITTEN SPECIFICATIONS AND FOODSERVICE PLANS FOR FURTHER INFORMATION

NSF FABRICATION SHALL COMPLY WITH NSF STANDARDS

PASS-THROUGH SHELF WITH FRAME

FSD1

Order Plans @ www.LDIDLINE.com