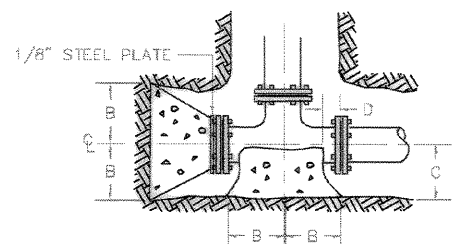


SECTION "A-A" TYPICAL BEND PLAN

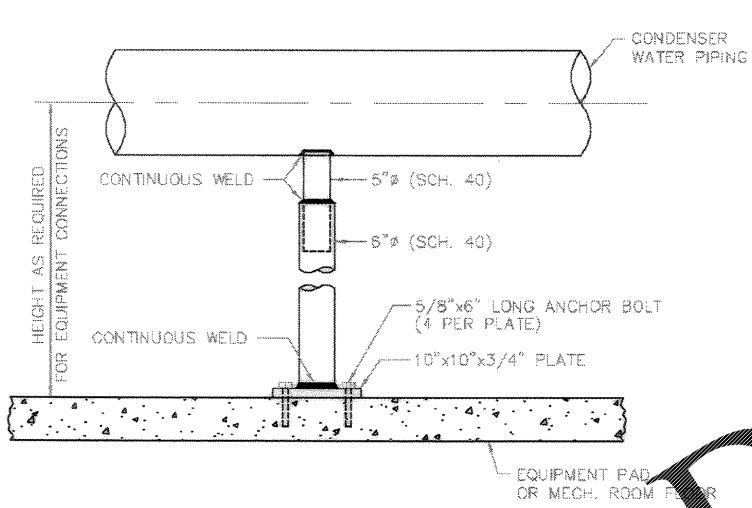


PLAN VIEW DEAD END BLOCKING

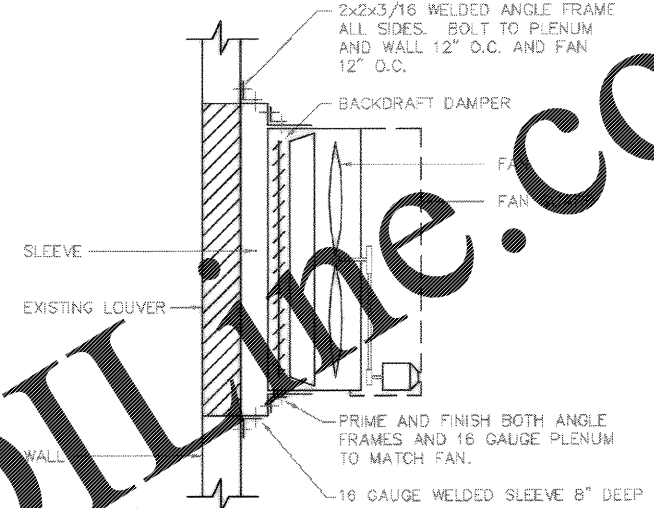
1 M507 THRUST BLOCK DETAILS SCALE: NONE

- NOTES:
- THRUST BLOCKS SIMILAR TO THOSE SHOWN SHALL BE CONSTRUCTED AT ALL TEES, BENDS, DEAD ENDS, ETC. OF SUFFICIENT BEARING AREA TO RESIST PROBABLE MAXIMUM THRUST.
 - DIMENSIONS ABOVE ARE FOR SOILS WITH A BEARING CAPACITY OF AT LEAST 2000 PSF AND A WATER PRESSURE OF NOT MORE THAN 150 PSI.
 - "D" DIMENSION PROVIDES FOR REMOVAL OF BOLTS ON MECHANICAL JOINT FITTINGS.
 - JOINTS SHALL BE FREE OF CONCRETE AND CAPABLE OF BEING DISASSEMBLED WITHOUT DISTURBING THE THRUST BLOCK, REGARDLESS OF THE TYPE OF JOINT USED.
 - CONCRETE SHALL BE NOT LESS THAN 3000 PSI AT 28 DAYS.
 - POUR ALL THRUST BLOCKS AGAINST FIRM UNDISTURBED EARTH.

PIPE SIZE	MIN. THRUST BLOCKING DIMENSIONS											
	FITTING											
	90° BENDS		45° BENDS		22 1/2° BENDS		TEES AND DEAD ENDS		ALL FITTINGS			
	A	B	A	B	A	B	A	B	C	D		
2"	3.5"	5.0"	3.0"	3.5"	2.0"	2.5"	2.5"	5.0"	6.0"	3.0"		
3"	4.5"	8.5"	3.5"	6.0"	3.0"	3.5"	3.5"	8.0"	6.0"	3.0"		
4"	6.5"	11.0"	5.0"	8.0"	4.0"	5.0"	5.0"	10.0"	7.0"	5.5"		
6"	9.5"	15.5"	7.5"	11.0"	5.0"	8.5"	7.3"	14.0"	8.5"	5.5"		
8"	13.0"	19.5"	10.0"	13.5"	8.0"	11.5"	10.0"	17.5"	9.5"	6.0"		
10"	16.0"	23.5"	12.5"	16.5"	7.0"	15.0"	13.0"	22.5"	11.0"	6.0"		
12"	19.0"	28.0"	15.0"	19.5"	8.0"	18.0"	15.0"	25.0"	12.0"	6.25"		

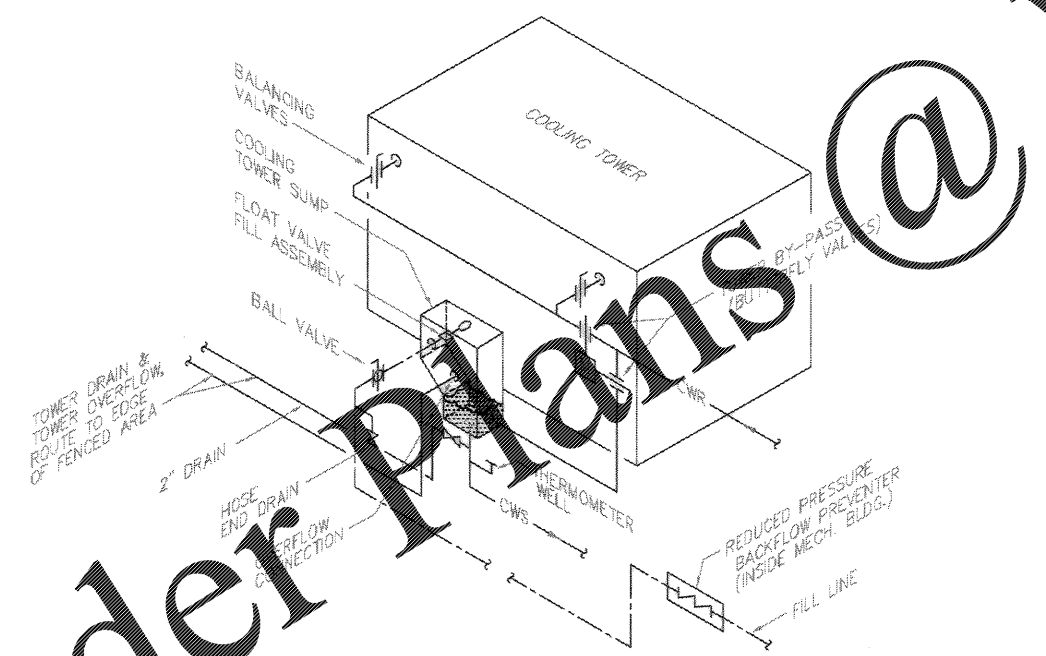


2 M507 ADJUSTABLE PIPE STANCHION DETAIL SCALE: NONE

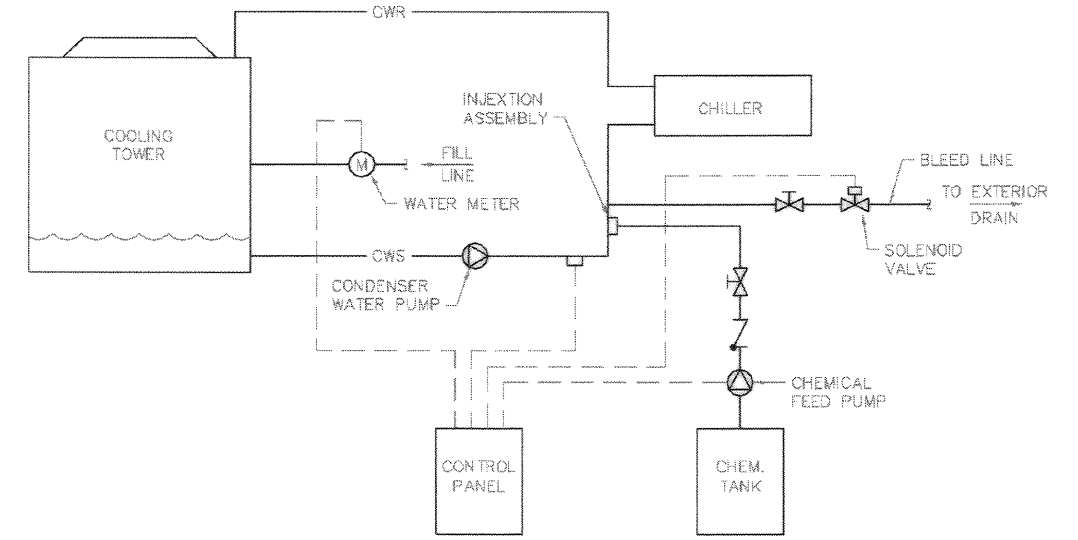


3 M507 WALL FAN INSTALLATION SCALE: NONE

1



4 M507 COOLING TOWER PIPING SCHEMATIC DIAGRAM SCALE: NONE



5 M507 COOLING TOWER CHEMICAL TREATMENT SYSTEM SCHEMATIC SCALE: NONE

WWW.LDILLINE.COM

Order Plans @

CHARLESTON AIR FORCE BASE CHARLESTON, SOUTH CAROLINA
 DINING FACILITY
 TYPICAL DETAILS - CPPO
 APPROVED: [Signature] DATE: 5/15/04
 EPIC FOR COMMANDER, NAFAC
 Naval Facilities Engineering Command Southern Division Charleston, South Carolina
 EPIC ENGINEERING INC. No. 000259
 RECORD DRAWING DATE: 9/27/04
 CODE IS NO. 80891
 DRAWING SIZE: D
 SPEC. NO. D6-88-0939
 CONSTR. CONTR. NO. N62467-98-C-0939
 TRAFAC DRAWING NO. 5357980
 SHEET 158 OF 194
 M-507