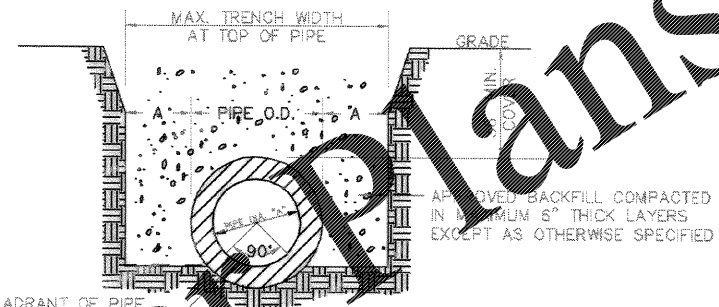


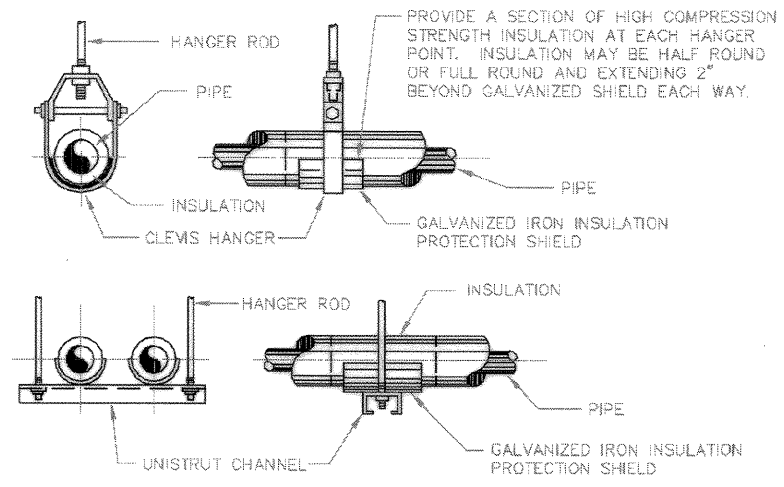
1 M504 PIPE THROUGH FIREWALL DETAIL
SCALE: NONE

- NOTES:
1. FINAL METHOD OF INSTALLATION SHALL BE A UL RATED FIRESTOP SYSTEM. SEE ARCHITECTURAL DRAWINGS FOR CONSTRUCTION TYPES.
 2. THIS DETAIL TYPICAL FOR CHILLED WATER, CONDENSER WATER AND ALL CONDENSATE WATER.
 3. PENETRATION THROUGH FLOOR SHALL BE SIMILAR.

PIPE DIA. "D"	MAXIMUM "A"
1" TO 5"	6"
6" TO 15"	8"
18" TO 21"	10"
24" TO 30"	12"
33" TO 42"	15"
48" & LARGER	18"

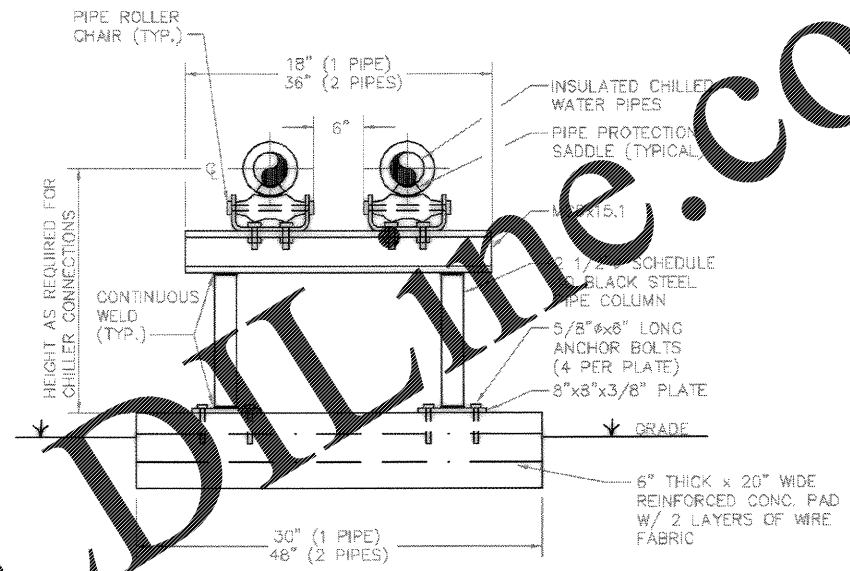


4 M504 PIPE TRENCH BEDDING IN EARTH
SCALE: NONE



2 M504 HANGERS FOR WATER PIPING
SCALE: NONE

- NOTES:
1. REFER TO VIBRATION ISOLATOR & SEISMIC RESTRAINT SCHEDULE AND SEISMIC RESTRAINT DETAILS FOR REQUIREMENTS WHERE SEISMIC RESTRAINT AND CONTROL IS REQUIRED ON WATER PIPING.
 2. ALL PIPING LARGER THAN NOMINAL 12" PIPE SHALL BE HUNG USING INDIVIDUAL CLEVIS TYPE HANGERS. DO NOT USE UNISTRUT CHANNEL SYSTEM.



3 M504 EXTERIOR PIPE SUPPORT DETAIL
SCALE: NONE

NOTE: THIS DETAIL NOT USED IF CPRO IS ACCEPTED.

Order Plans @ WWW.LDLINE.COM

GLICK/Boehm & Associates, Inc. (GDD) 247 Abbeville Street Charleston, S.C. 29405-4377

DESIGNED BY: MASON

DRAWN BY: (SEE WATER-INT.)

TECHNICAL BRANCH

DATE

REVISIONS

Rev.	Description	By	Date	Appr.
1	AS-BUILT DRAW. NO CORRECTIONS	AW	5/14/04	

CHARLESTON AIR FORCE BASE CHARLESTON, SOUTH CAROLINA

DINING FACILITY

TYPICAL DETAILS

APPROVED: (Signature) P.E. DATE: 5/14/04

ED FOR COMMANDR, NAVFAC

Naval Facilities Engineering Command Southern Division Charleston, South Carolina

EPIC ENGINEERING INC. No. 000259

RECORD DRAWING DATE: 9/27/04

CODE LB. NO.: 80051

DRAWING SIZE: D

SPEC. NO. 06-98-09.38

CONSTRIN. CONTR. NC

N62467-98-C-0938

NAVFAC DRAWING NO. 5337977

SHEET 192 OF 194

M-504