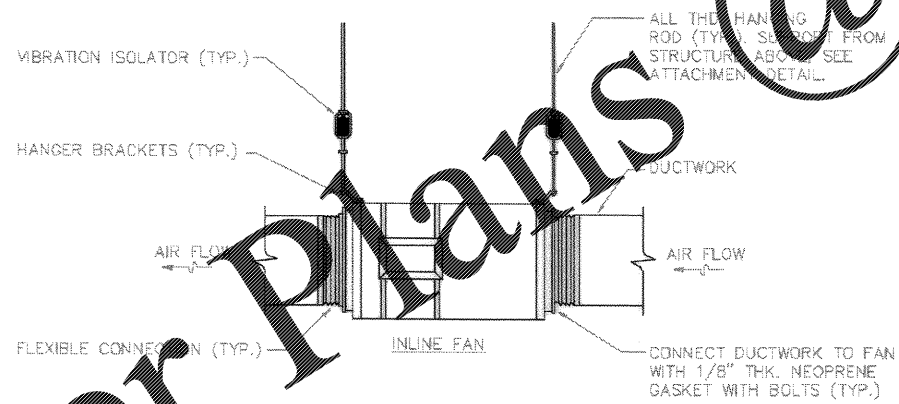


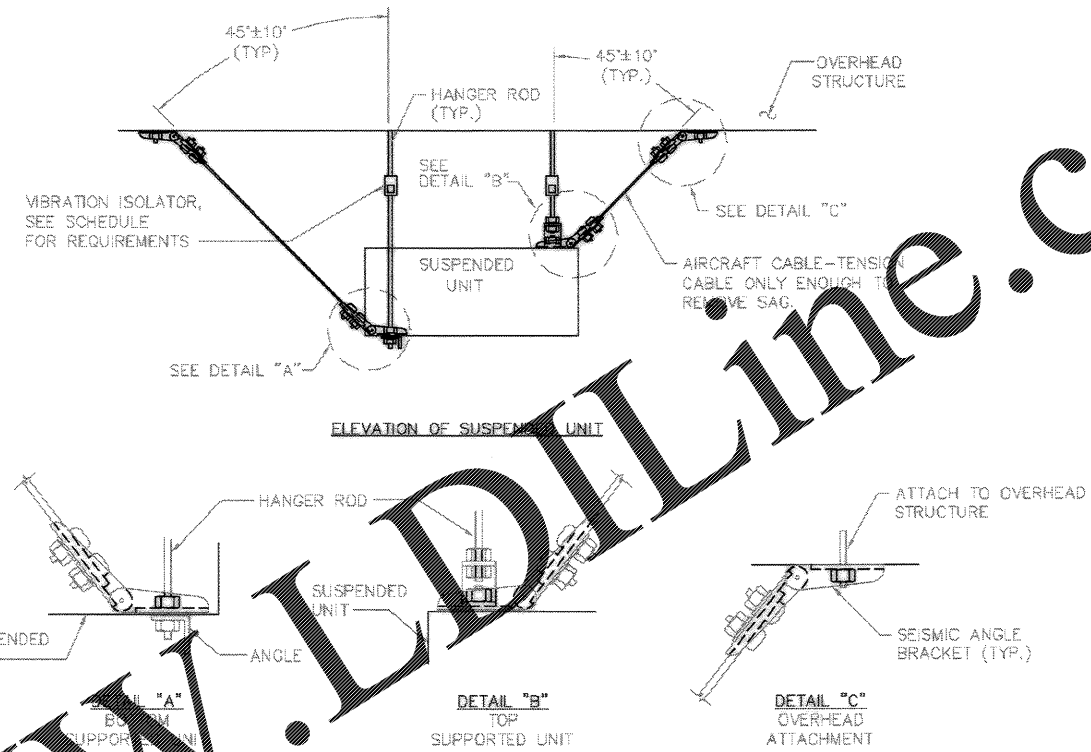
1  
M502 **PIPING SEISMIC RESTRAINT DETAIL**  
SCALE: NONE

- NOTES:
- REFER TO SMACNA GUIDELINES FOR MAXIMUM SPACING OF SEISMIC RESTRAINTS.
  - ALL GAS, FIRE SUPPRESSION AND HIGH HAZARD PIPING SYSTEMS SHALL BE SEISMICALLY RESTRAINED (NO EXCEPTIONS). ALL OTHER PIPING SYSTEMS SHALL BE SEISMICALLY RESTRAINED WHEN REQUIRED BY THE VIBRATION SYSTEMS & SEISMIC RESTRAINT SCHEDULE UNLESS NOT REQUIRED BY ANY ONE OF THE FOLLOWING CONDITIONS:
    - PIPING SUSPENDED BY INDIVIDUAL HANGERS 12 INCHES OR LESS IN LENGTH FROM THE TOP OF THE PIPE TO THE SUPPORTING STRUCTURE.
    - PIPING IN BOILER AND MECHANICAL ROOMS WHICH HAS LESS THAN 1 1/4 INCH INSIDE DIAMETER.
    - PIPING IN OTHER AREAS WHICH HAS LESS THAN 2 1/2 INCH INSIDE DIAMETER.

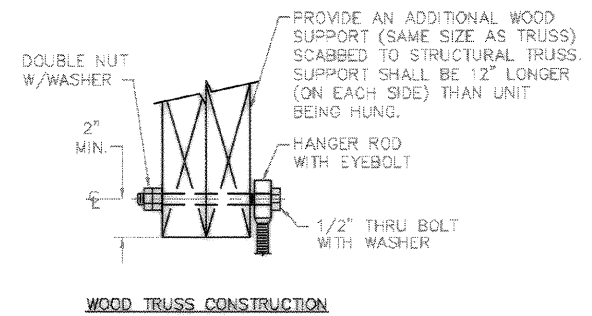
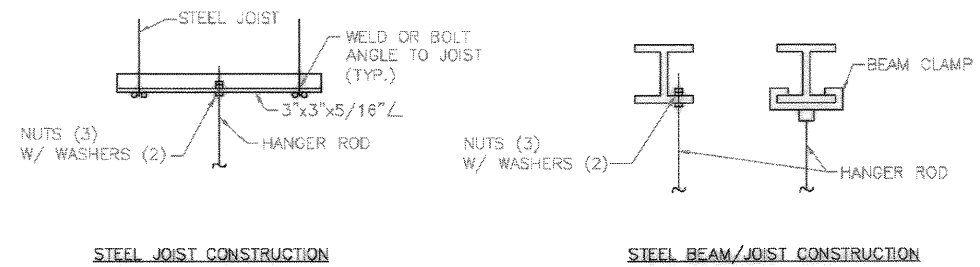


3  
M502 **INLINE FAN INSTALLATION DETAIL**  
SCALE: NONE

- NOTE:  
PROVIDE MANUFACTURERS RECOMMENDED CLEARANCES FOR UNIT SERVICE AND ACCESS.



2  
M502 **SUSPENDED UNIT SEISMIC RESTRAINT DETAIL**  
SCALE: NONE



4  
M502 **OVERHEAD ATTACHMENT DETAILS**  
SCALE: NONE

DRAWING REVISIONS		Rev.	Date	Appr.	Description
1	AS-BUILT DWG. NO CORRECTIONS	11/17	11/17	W. J. [Signature]	NO CORRECTIONS
Glick/Boehm & Associates, Inc. 247 Meeting St. Charleston, S.C. 29403 (803) 727-8377 FAX (803) 727-8377 SUBMITTED BY: [Signature] CHECKED BY: [Signature] DRAWN BY: [Signature] DATE: [Signature]					
CHARLESTON AIR FORCE BASE		CHARLESTON, SOUTH CAROLINA		EDS FOR COMMAND, NAVFAC	
DINING FACILITY		TYPICAL DETAILS		DATE: 9/27/04	
Naval Facilities Engineering Command		Southern Division		Charleston, South Carolina	
RECORD DRAWING DATE: 9/27/04		CODE: [Signature]		DRAWING SIZE: [Signature]	
SPEC. NO. 06-88-0938		CONSTR. CONTR. NO. [Signature]		NAVFAC DRAWING NO. 63579.75	
SHEET 130 OF 184		M-502			

Order Plans @

WWW.LDLine.com