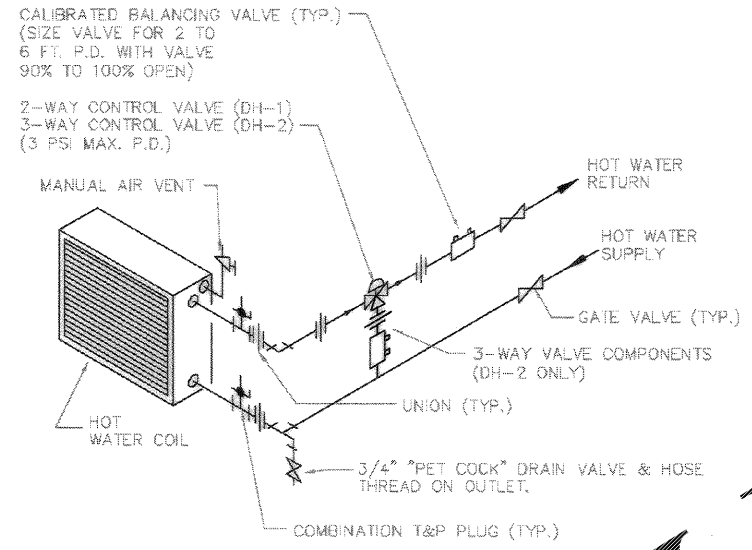


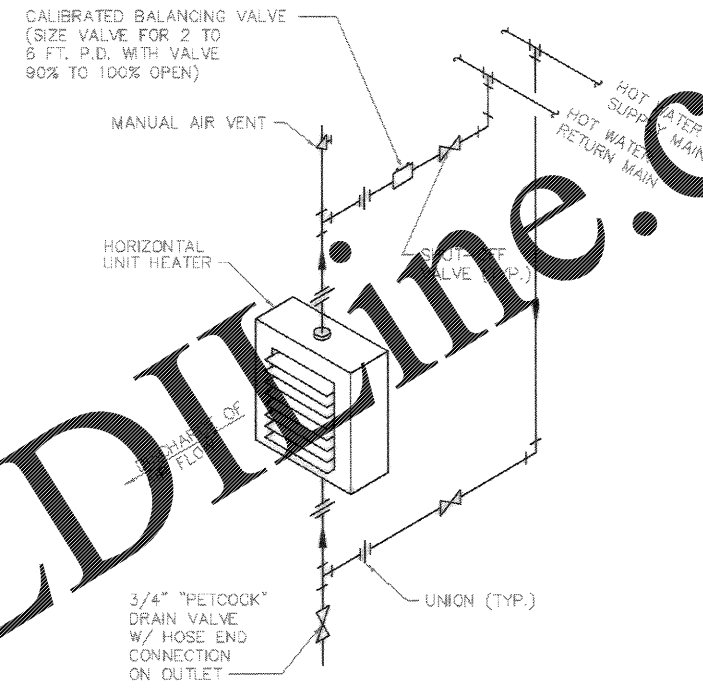
- NOTES:
1. COIL SHALL BE PIPED COUNTERFLOW.
 2. COIL SHALL BE FURNISHED WITH MANUAL AIR VENT
 3. PROVIDE ADDITIONAL UNIONS REQUIRED FOR COIL REMOVAL WHEN INSTALLED PIPING OR DUCTWORK IMPEDES COIL REMOVAL.

1 M501 AHU CHILLED AND HOT WATER COIL PIPING DETAIL SCALE: NONE



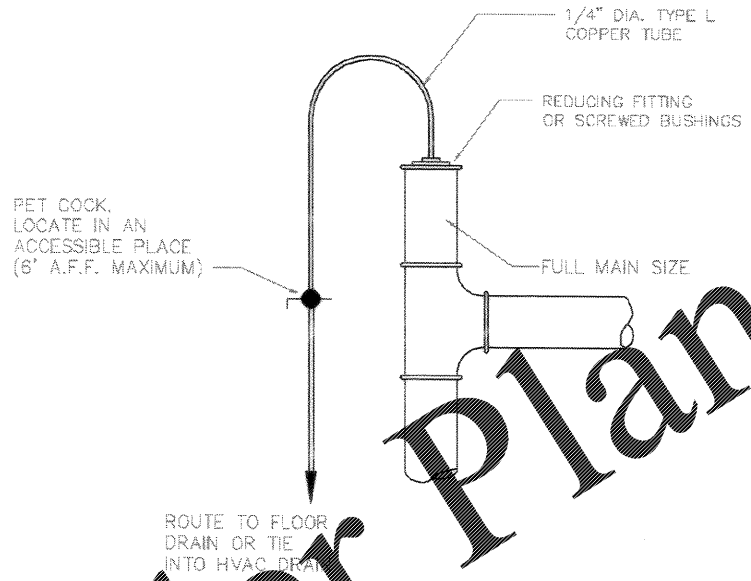
- NOTES:
1. COIL SHALL BE PIPED COUNTERFLOW.
 2. COIL SHALL BE FURNISHED WITH MANUAL AIR VENT
 3. PROVIDE ADDITIONAL UNIONS REQUIRED FOR COIL REMOVAL WHEN INSTALLED PIPING OR DUCTWORK IMPEDES COIL REMOVAL.

2 M501 DUCT MOUNTED HEATING COIL PIPING DETAIL SCALE: NONE



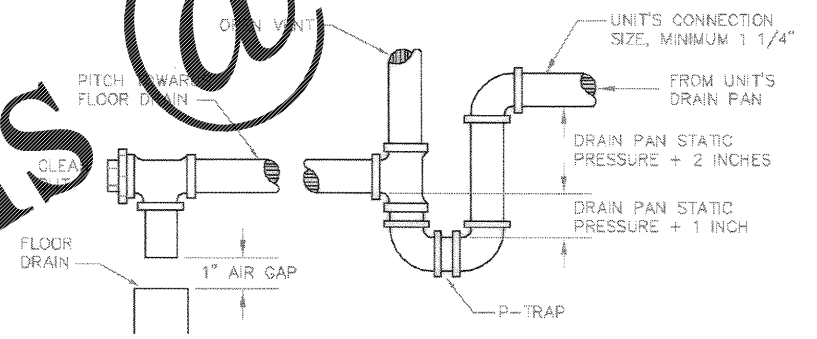
- NOTES:
1. COIL SHALL BE PIPED COUNTERFLOW.
 2. COIL SHALL BE FURNISHED WITH MANUAL AIR VENT
 3. PROVIDE ADDITIONAL UNIONS REQUIRED FOR COIL REMOVAL WHEN INSTALLED PIPING OR DUCTWORK IMPEDES COIL REMOVAL.

3 M501 UNIT HEATER DETAIL (HORIZONTAL THROW) SCALE: NONE

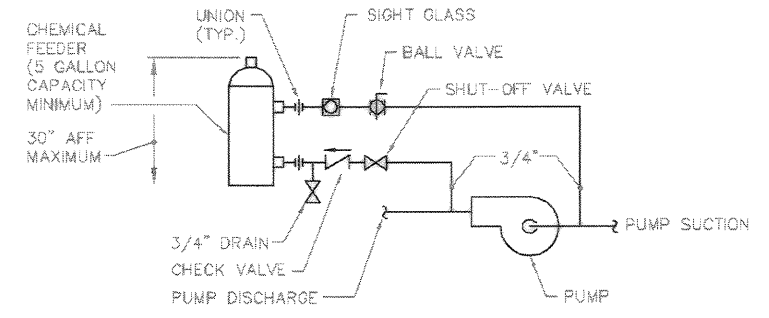


- NOTE: PROVIDE AIR VENT AT ALL HIGH POINTS IN CHILLED WATER AND HOT WATER SYSTEMS.

4 M501 MANUAL AIR VENT DETAIL SCALE: NONE



5 M501 AHU CONDENSATE DRAIN LINE WITH P-TRAP DETAIL SCALE: NONE



NOTE: PROVIDE 10 GALLON CHEMICAL FEED TANK IF CPRO IS ACCEPTED.

6 M501 CHILLED AND HOT WATER CHEMICAL FEEDER DETAIL SCALE: NONE

Order Plans

WWW.LDIDLINE.COM

Glick/Boschert, Assoc. Engineers, Inc. Charleston, S.C. 803-737-6377	DRAWING REVISIONS Description Date By	1 AS-BUILT DRWG. NO CORRECTIONS 1/19/04 RJD	1 APPROVED BY (PRINT NAME-TITLE) T. J. WALKER PROJECT ENGINEER
		2 APPROVED BY (PRINT NAME-TITLE) DATE TITLE	3 APPROVED BY (PRINT NAME-TITLE) DATE TITLE
CHARLESTON AIR FORCE BASE CHARLESTON, SOUTH CAROLINA	DINING FACILITY TYPICAL DETAILS	APPROVED BY (PRINT NAME-TITLE) DATE TITLE	APPROVED BY (PRINT NAME-TITLE) DATE TITLE
Naval Facilities Engineering Command Southern Division Charleston, South Carolina		RECORD DRAWING DATE 9/27/04	CODE ID NO. R0081
		DRAWING SIZE: D	SPEC. NO. 06-88-0938
		CONSTR. CONTR. NO. N6247-98-C-0939	NAVFAC DRAWING NO. 5357974
		SHEET 149 OF 194	M-501