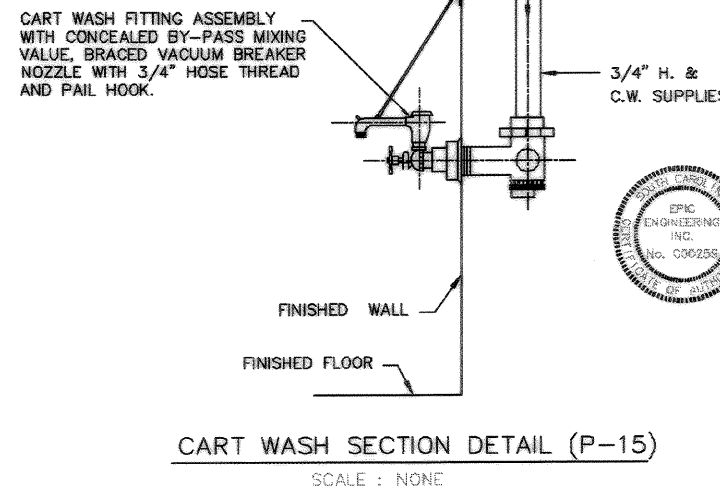
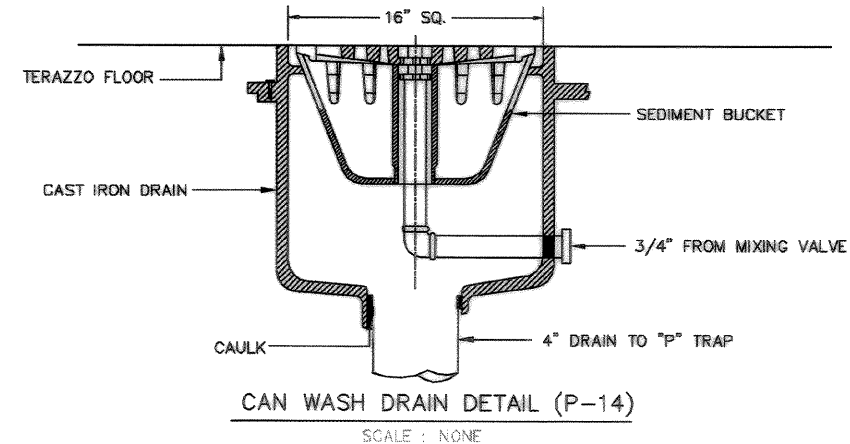
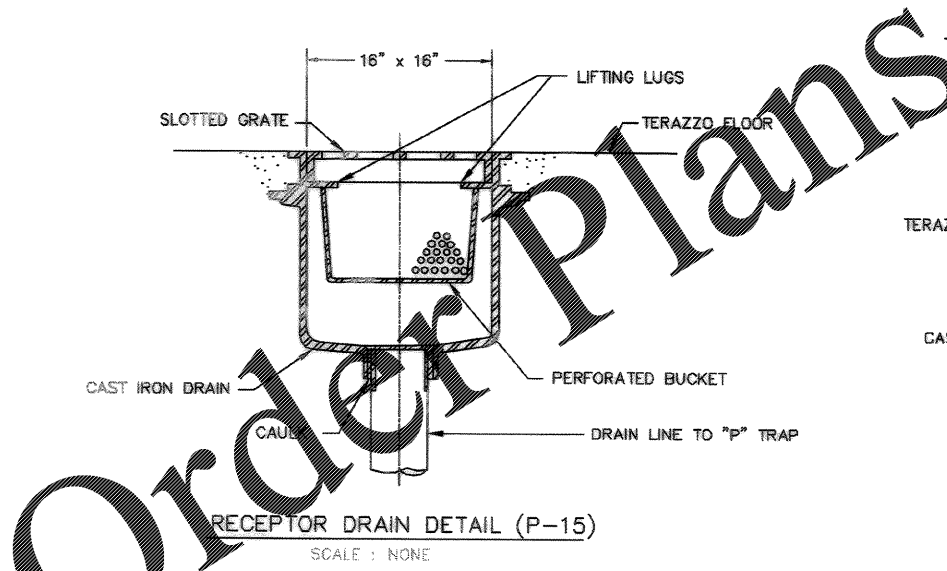
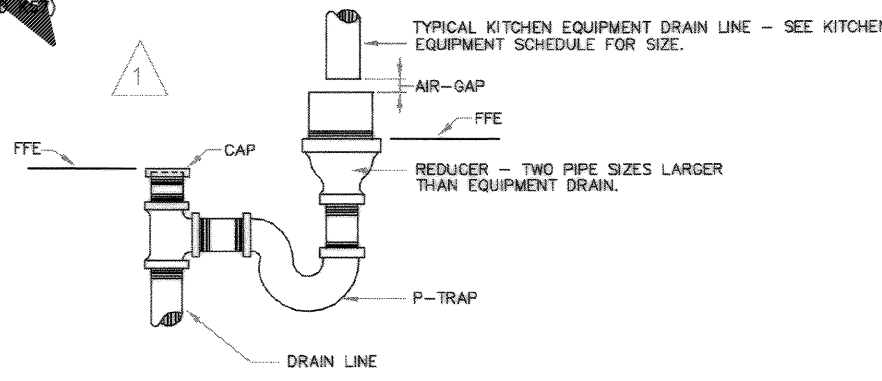
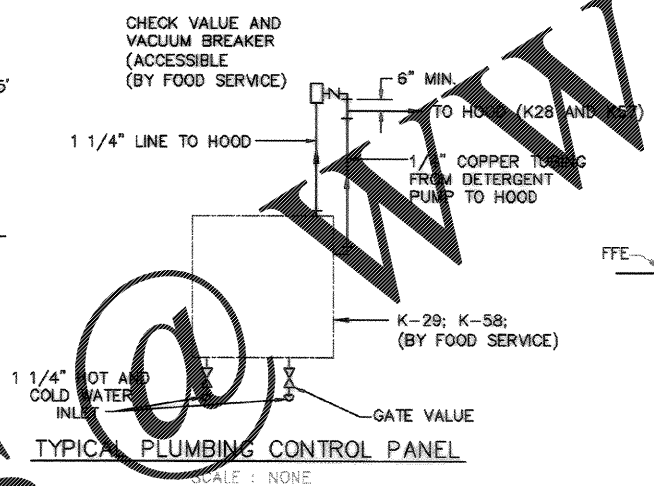
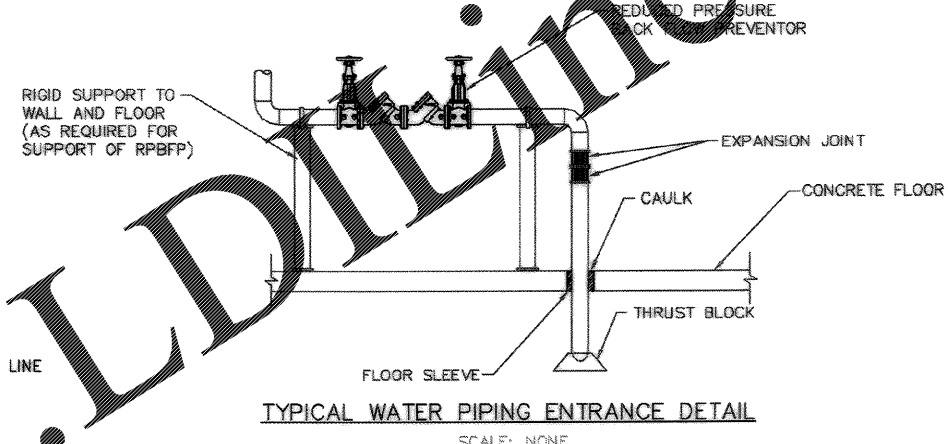
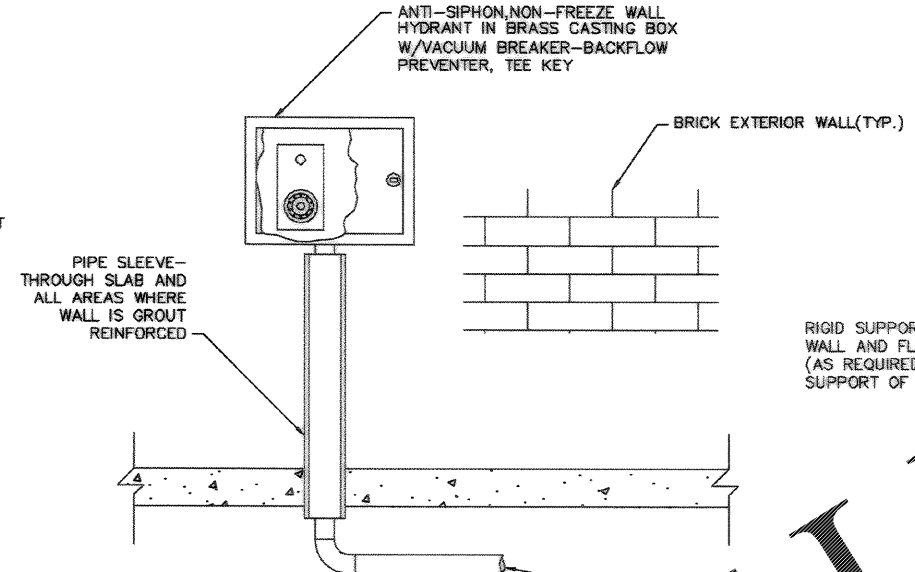


NOTE: GREASE TRAP CONSTRUCTION AND INSTALLATION SHALL MEET REQUIREMENTS OF NORTH CHARLESTON SEWER DISTRICT RESOLUTION 97-13.

TYPICAL GREASE TRAP-1500 GALLON  
SCALE: NONE



DRAWING REVISIONS Description: CORRECTED TO AS-BUILT Date: 9/27/04 By: MJK Checked: JAL Approved: JAL Date: 9/27/04	PROJECT: DINE DRAWING NO.: P-502 SHEET 129 OF 194
CHARLESTON AIR FORCE BASE DINE FACILITY PLUMBING DETAILS APPROVED: [Signature] DATE: 9/27/04	Noval Facilities Engineering Command Southern Division Charleston, South Carolina
EPIC ENGINEERING INC. No. 2188 No. 000255	RECORD DRAWING DATE: 9/27/04 CODE: 11-11-11-11-11 DRAWING SIZE: 11-11-11-11 SPEC. NO. 06-08-08-08-08 CONSTR. CONTR. NO. 112467-98-C-0939 NAVFAC DRAWING NO. 5357954

Order Plans