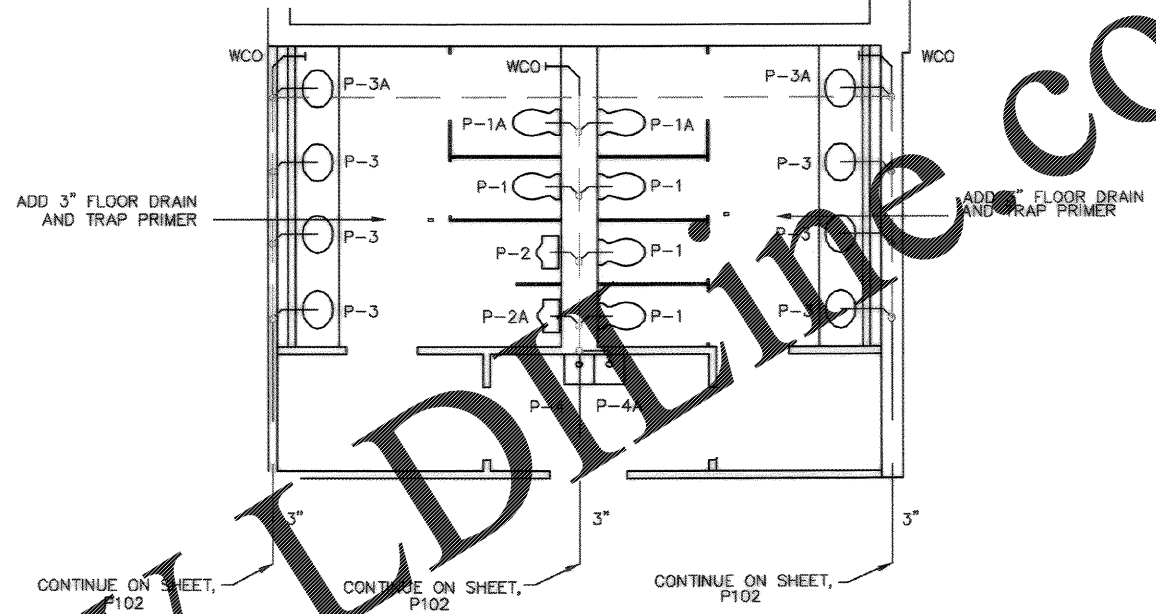
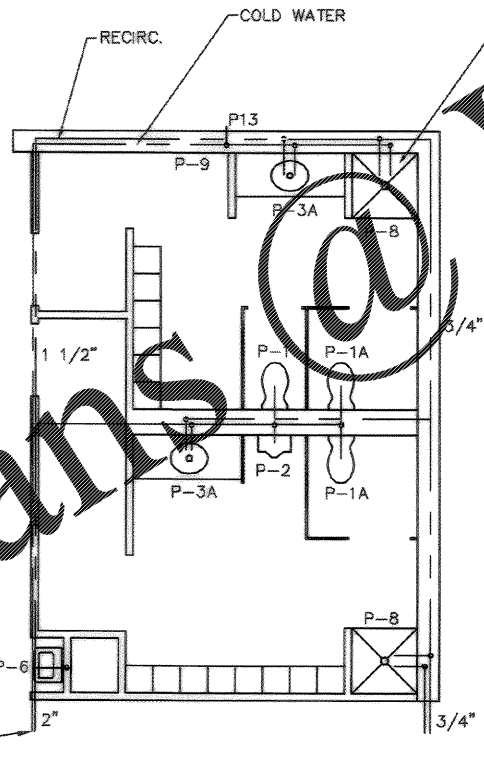


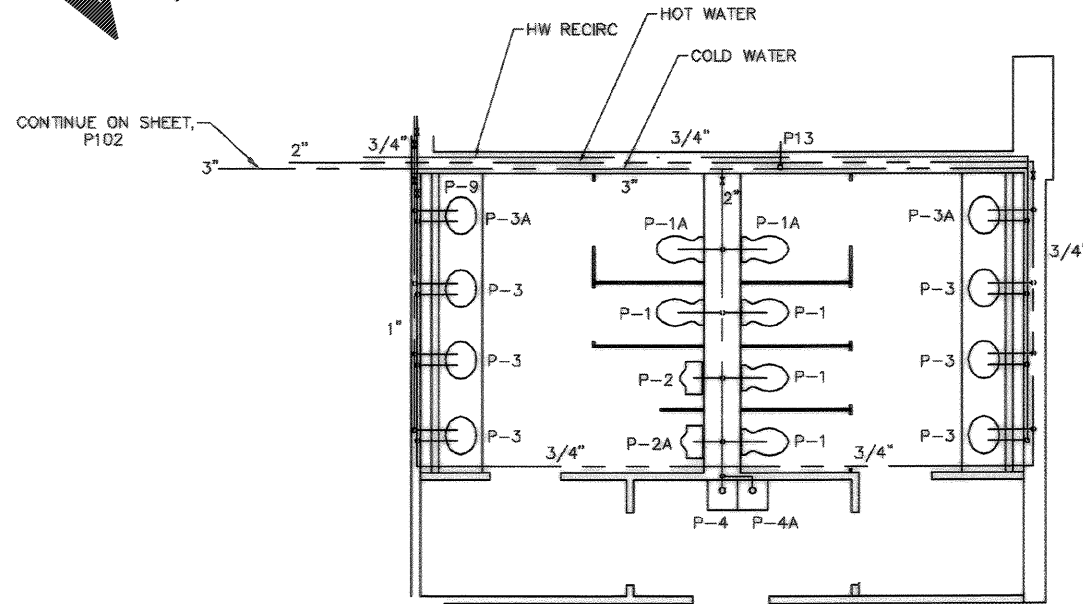
ENLARGED PLAN - WASTE AND VENT
SCALE: 1/4"=1'-0"



ENLARGED PLAN - WASTE AND VENT
SCALE: 1/4"=1'-0"



ENLARGED PLAN - COLD AND HOT WATER
SCALE: 1/4"=1'-0"



ENLARGED PLAN - COLD AND HOT WATER
SCALE: 1/4"=1'-0"

Order Plans @

WWW.LDLINE.COM



RECORD DRAWING DATE	9/27/04
CODE I.D. NO.	80881
DRAWING SIZE	D
SPEC. NO.	06-88-0908
CONS'G. UNIT NO.	MS247-90-C-0939
NAVIFAC DRAWING NO.	5357952
SHEET	127 OF 194

P-402

DATE	7-8-03
BY	ALLEN
CHECKED BY	ALLEN
DESIGNED BY	ALLEN
DATE	7-8-03
BY	ALLEN
CHECKED BY	ALLEN
DESIGNED BY	ALLEN

NO.	1
DESCRIPTION	DRWG. CORRECTED TO AS-BUILT
DATE	11/11/04
BY	W/T
APPROVED	

CHARLESTON AIR FORCE BASE CHARLESTON, SOUTH CAROLINA
DINING FACILITY
BATHROOM WATER & WASTE
APPROVED BY: [Signature] DATE: 5/10/04

Naval Facilities Engineering Command
Southern Division
Charleston, South Carolina