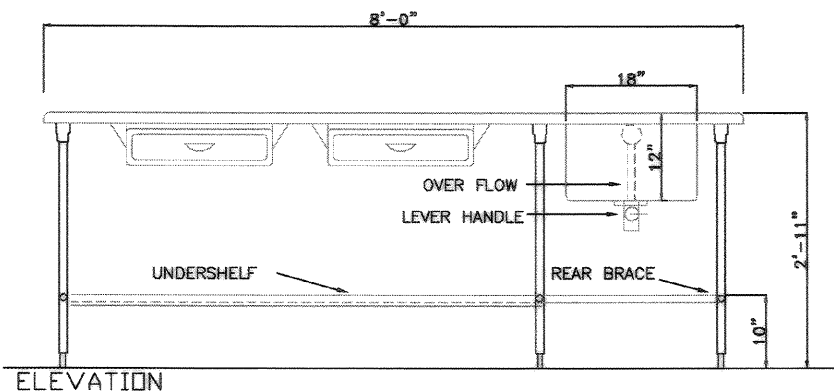
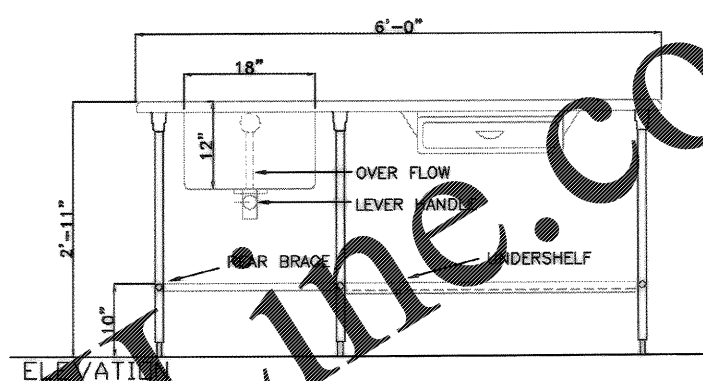


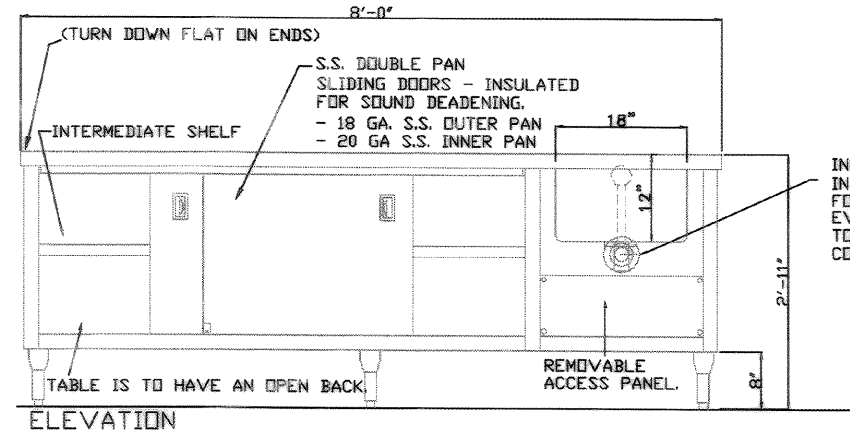
1 TYPICAL ELEVATION OF ITEM NO. 9
K602 1"=1'-0"



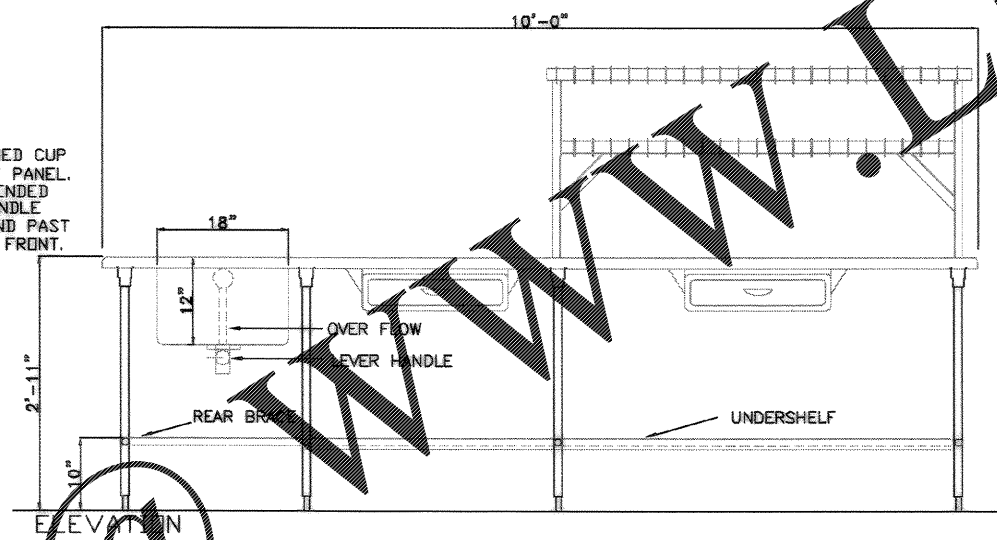
2 TYPICAL ELEVATION OF ITEM NO. 19
K602 1"=1'-0"



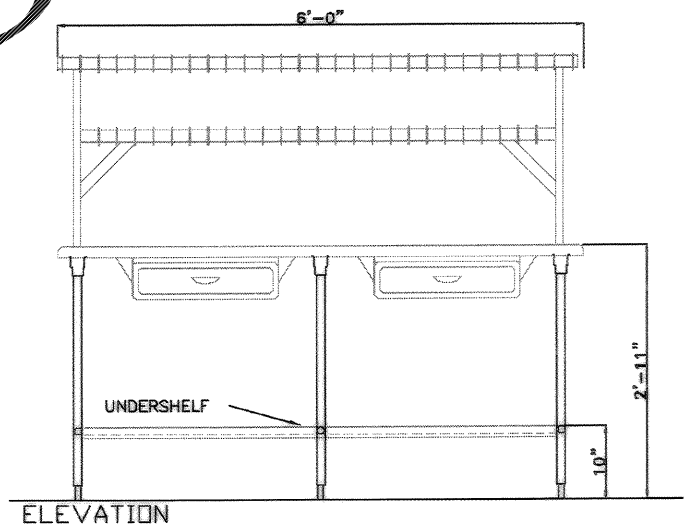
3 TYPICAL ELEVATION OF ITEM NO. 41
K602 1"=1'-0"



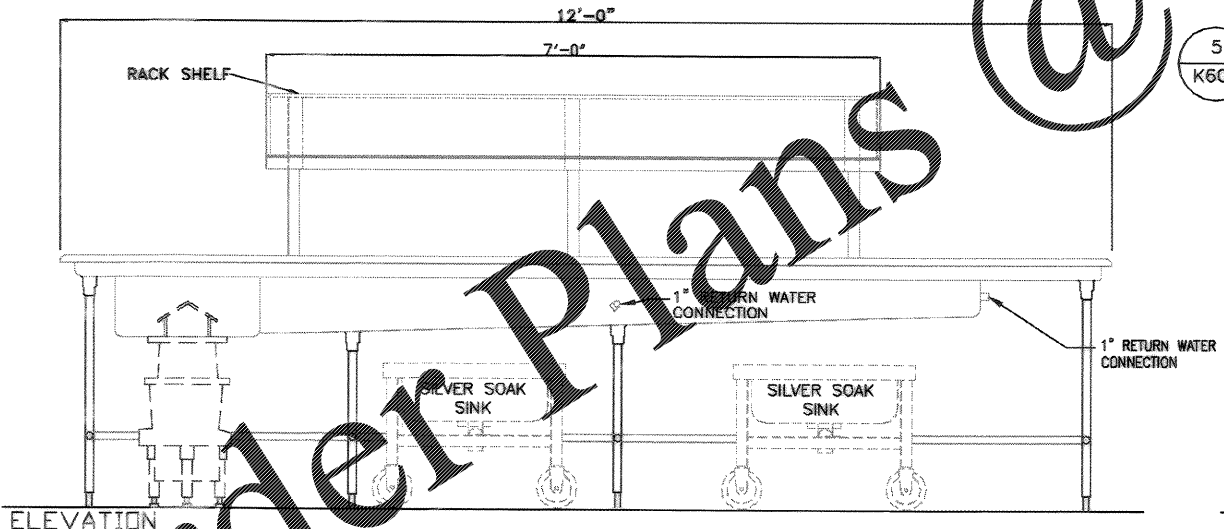
4 TYPICAL ELEVATION OF ITEM NO. 72
K602 1"=1'-0"



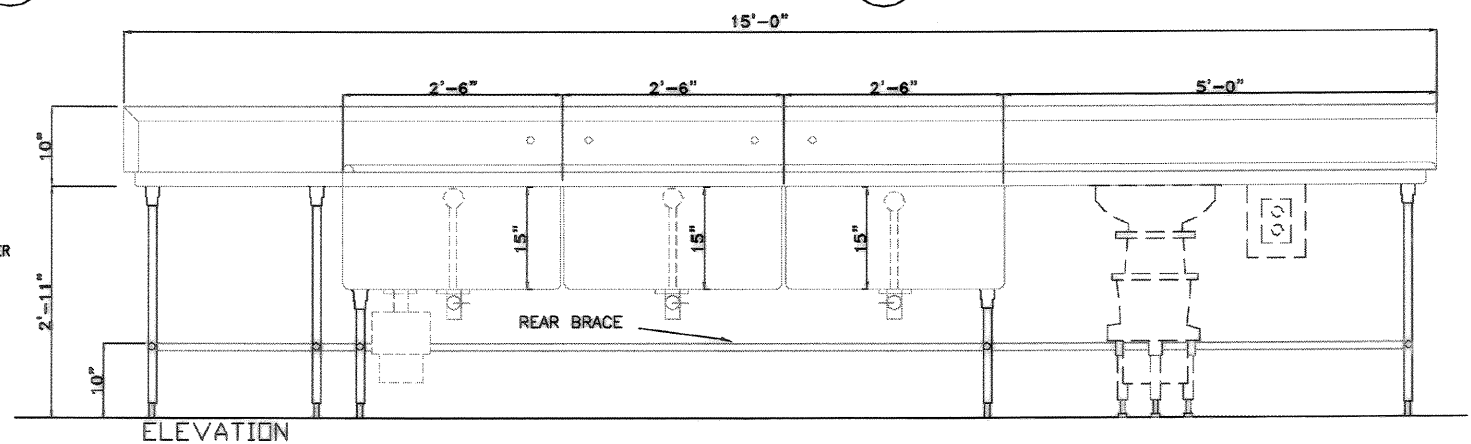
5 TYPICAL ELEVATION OF ITEM NO. 20
K602 1"=1'-0"



6 TYPICAL ELEVATION OF ITEM NO. 30
K603 1"=1'-0"



7 TYPICAL ELEVATION OF ITEM NO. 133
K602 1"=1'-0"



8 TYPICAL ELEVATION OF ITEM NO. 138
K602 1"=1'-0"

DRAWING REVISIONS		Prep By: <i>ALM</i>	Date: <i>5/11/04</i>	Checked: <i>ALM</i>	Approved: <i>ALM</i>	Inc. (JCS) (R03) 7-6377
Description: <i>AS-BUILT SERIAL NO CONNECTIONS</i>		Submitted by (from user name): <i>ALM</i>				DATE: <i>5/11/04</i>
No. 1		APPROVED: <i>ROD</i> DATE: <i>5/11/04</i>				END FOR COMMANDER, WAFAC
CHARLESTON AIR FORCE BASE		CHARLESTON, SOUTH CAROLINA		DINING FACILITY EQUIPMENT DETAILS		
Naval Facilities Engineering Command		Southern Division		Charleston, South Carolina		
RECORD DRAWING DATE: <i>9/27/04</i>		CODE I.D. NO.: <i>B0091</i>		DRAWING SIZE: <i>D</i>		
SPEC. NO. <i>06-95-0939</i>		CONSTR. CONTR. NO. <i>182467-95-C-0839</i>		NAVFAC DRAWING NO. <i>5357942</i>		
SHEET 117 OF 194		K-602				

Order Plans

WWW.DLINE.COM