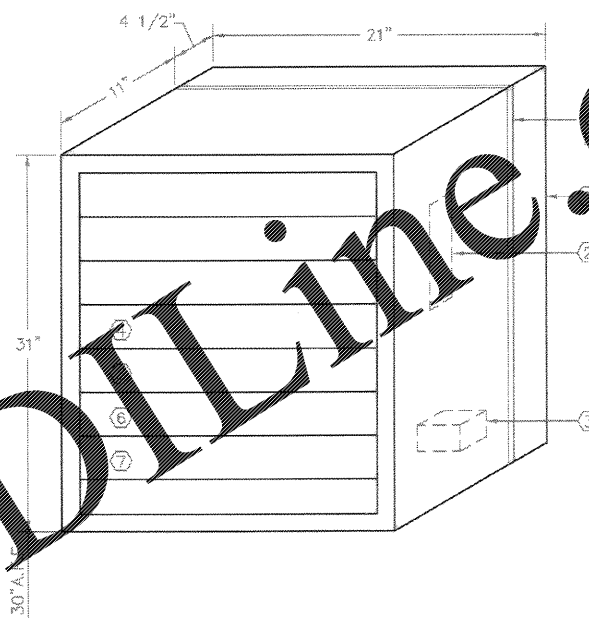


NOTES:

1. STUB UP 3/4" EMT INTO ACCESSIBLE CEILING SPACE FROM EACH OUTLET. WHERE OUTLETS ARE MOUNTED IN A FIRE RATED WALL, PROVIDE A 90 DEGREE BEND OUT OF WALL TO ALLOW ACCESS. WHERE OUTLETS WILL NOT BE MOUNTED ON A FLOOR TO CEILING WALL, RUN CONDUIT TO NEAREST WALL AND STUB UP INTO ACCESSIBLE CEILING SPACE.
2. SEE FLOOR PLANS FOR NUMBER AND LOCATIONS OF OUTLETS.
3. PROVIDE LAN CABLE FROM EACH COMPUTER JACK TO PATCH PANEL.
4. PROVIDE TELEPHONE CABLE FROM EACH TELEPHONE JACK TO PUNCH DOWN BLOCKS.
5. PROVIDE 36"x24"x24" SWING OUT MOUNTING ENCLOSURE, MODEL GL36WS BY GREAT LAKES CASE AND CABINET CO. (OR EQUAL). MOUNT PATCH PANELS.

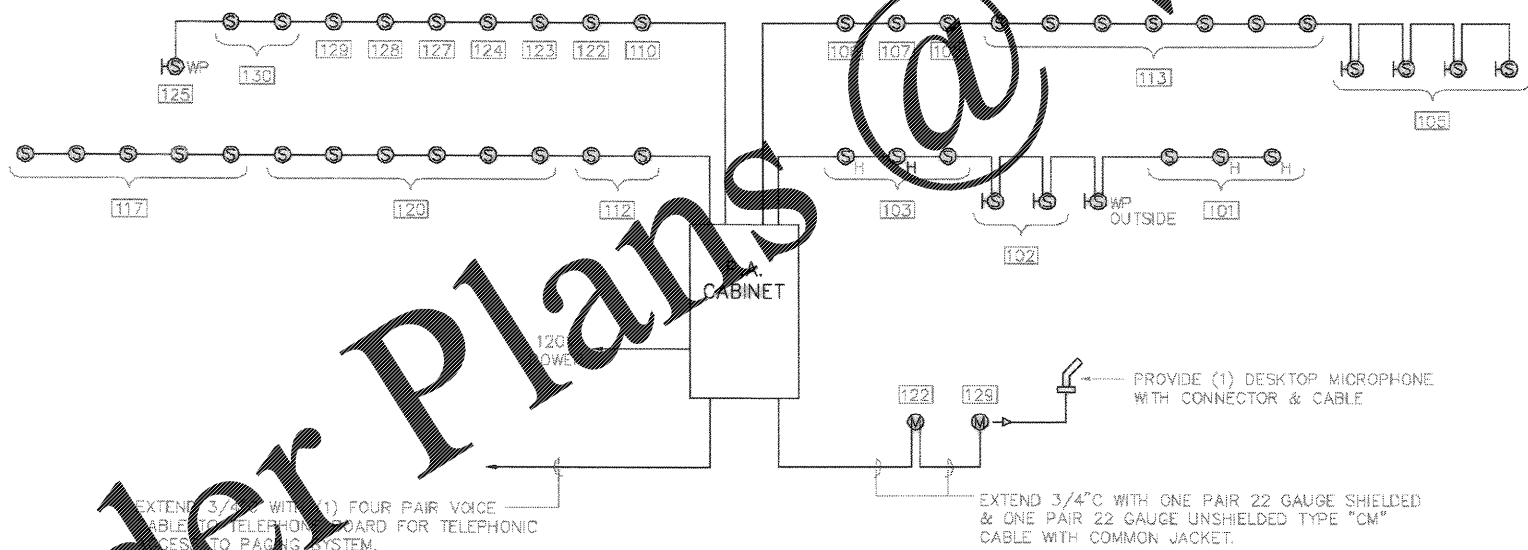


WALL MOUNTED P.A. CABINET DETAIL

SCALE: NONE

TELEPHONE/COMPUTER RISER (CHILLER PLANT) (BID ALTERNATE)

SCALE: NONE

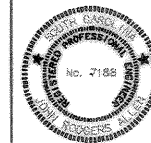
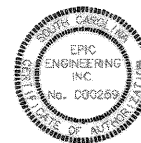


P.A. SYSTEM RISER

SCALE: NONE

KEY NOTES (FOR P.A. CABINET)

- ① 16 GAUGE STEEL WALL MOUNTED EQUIPMENT RACK OF SIZE INDICATED AND WITH A MINIMUM OF 42" OF EIA STANDARD 19" WIDE RACK MOUNTING SPACE.
- ② PROVIDE RECEPTACLE STRIP MOUNTED WITHIN RACK WITH A MINIMUM OF 6-20A, 125V, NEMA 5-20R OUTLETS.
- ③ P.A. ADAPTER WITH POWER SUPPLY MOUNTED TO INTERIOR SIDE OF RACK. CONNECT TO MIXER/PRE-AMP INPUT #1.
- ④ RACK MOUNTED CASSETTE TAPE PLAYER, 120V INPUT. CONNECT TO MIXER/PRE-AMP INPUT #2.
- ⑤ RACK MOUNTED MIXER/PRE-AMP WITH 4 AVAILABLE INPUTS. UNIT SHALL HAVE MASTER VOLUME CONTROL, INDIVIDUAL INPUT LEVEL CONTROLS AND BASS AND TREBLE CONTROLS. INPUT #3 SHALL BE FOR MICROPHONE AND INPUT #4 SHALL BE SPARE.
- ⑥ RACK MOUNTED SINGLE CHANNEL MONITOR PANEL WITH SPEAKER, VU METER AND SPEAKER VOLUME CONTROL.
- ⑦ RACK MOUNTED AUDIO POWER AMP, 120 WATT, 120 VOLT, WITH OUTPUT VOLUME CONTROL.



RECORD DRAWING DATE	9/27/04
CODE I.D. NO.	80891
DRAWING SIZE	D
SPEC. NO. D6-88-0338	
CONSTR. CONTR. NO.	NG2487-98-C-0939
NWFAC DRAWING NO.	0355016
SHEET 191 OF 194	

F-606

Rev.	1	AS-BUILT DRWG. NO CORRECTIONS	DATE	04/04/04	PREP BY	ALLEN	DESIGNED BY	ALLEN	DATE	07-03-03
DESCRIPTION	P.A. SYSTEM RISERS									
DRAWING REVISIONS										

CHARLESTON AIR FORCE BASE CHARLESTON, SOUTH CAROLINA
DINING FACILITY
 TELECOMMUNICATIONS AND P.A. SYSTEM RISERS
 DATE 5/16/04
 APPROVED [Signature]

Naval Facilities Engineering Command
 Southern Division
 Charleston, South Carolina

Order Plans @ WWW.LDOnline.com