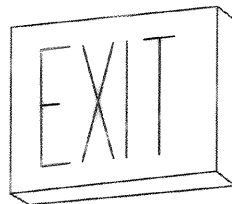


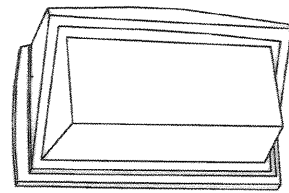
FIXTURE "R"
SCALE: NONE

- H.I.D. AREA FIXTURE AND POLE.
- RECTILINEAR SHAPED FIXTURE, ALUMINUM HOUSING AND DOOR FRAME, STAINLESS STEEL EXTERNAL HARDWARE, 6" TO 12" ALUMINUM MOUNTING ARM, TEMPERED FLAT GLASS LENS, DARK BRONZE FINISH.
- SPECULAR ALUMINUM REFLECTOR, IES TYPE III DISTRIBUTION PATTERN.
- HIGH POWER FACTOR BALLAST (>.9) FOR STARTING AT 0F.
- 1-150 WATT HIGH PRESSURE SODIUM LAMP.
- 277V.
- PROVIDE A 20' HIGH, SQUARE ALUMINUM POLE DESIGNED TO WITHSTAND A 100 MPH BASIC WIND LOADING AND A 30% GUST FACTOR. POLE SHALL HAVE A DARK BRONZE FINISH TO MATCH FIXTURE. PROVIDE POLE FOUNDATION PER DETAIL.



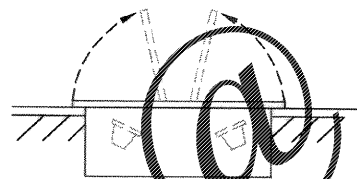
EXIT SIGN
SCALE: NONE

- LED EXIT SIGN.
- WHITE POLYCARBONATE HOUSING, STENCIL FACE WITH DIFFUSER, UNIVERSAL MOUNTING.
- 6" HIGH x 3/4" STROKE RED LETTERS.
- SINGLE OR DOUBLE FACE AND DIRECTIONAL ARROW AS INDICATED ON DRAWINGS.
- MEETS NFPA 101 REQUIREMENTS.
- EMERGENCY BATTERY POWER BACK FOR 90 MINUTE OPERATION WITH CHARGED BATTERY SWITCH AND READY LIGHT.
- LED LAMPS TO MEET CODE REQUIREMENTS, MAXIMUM FIXTURE WATTAGE OF 4 WATT PER FACE, 25 YEAR MINIMUM LAMP LIFE.
- 277V.



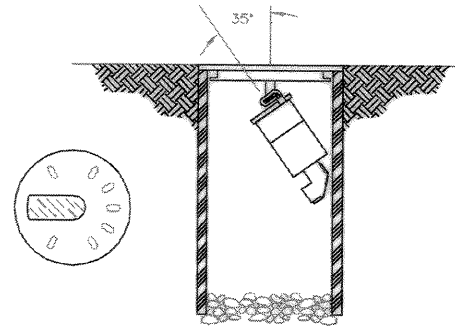
FIXTURE "S"
SCALE: NONE

- H.I.D. WALL PACK.
- DIE-CAST ALUMINUM HOUSING AND DOOR FRAME, DARK BRONZE FINISH.
- TEMPERED GLASS LENS.
- U.L. LISTED FOR WET LOCATIONS.
- HIGH POWER FACTOR BALLAST (>.9) FOR STARTING DOWN TO 0F AND INTEGRAL PHOTOCCELL.
- 1-250 WATT HIGH PRESSURE SODIUM LAMP.
- 277V.



EMERGENCY LIGHTING UNIT
SCALE: NONE

- RECESSED EMERGENCY LIGHTING FIXTURE.
- FLUSH MOUNTED WITH ONLY DOORS AND TEST PANEL VISIBLE IN NORMAL MODE.
- IN EMERGENCY MODE MIRROR DOORS OPEN TO DIRECT LIGHT AS REQUIRED.
- CUSTOM PAINTED FINISH PER GOVERNMENT'S DIRECTION.
- MAINTENANCE - FREE NICKEL CADMIUM BATTERIES FOR 90 MINUTES OF EMERGENCY LIGHTING.
- CHARGER, TEST SWITCH, CHARGE LIGHT AND AUTOMATIC BATTERY LOW VOLTAGE DISCONNECT.
- WALL MOUNTED 12" BELOW CEILING BUT NO HIGHER THAN TEN FEET ABOVE FINISHED FLOOR.
- 2-35 WATT SEALED BEAM MR16 LAMPS.
- 277V.
- BASIS OF DESIGN IS EVENLITE MIR SERIES.



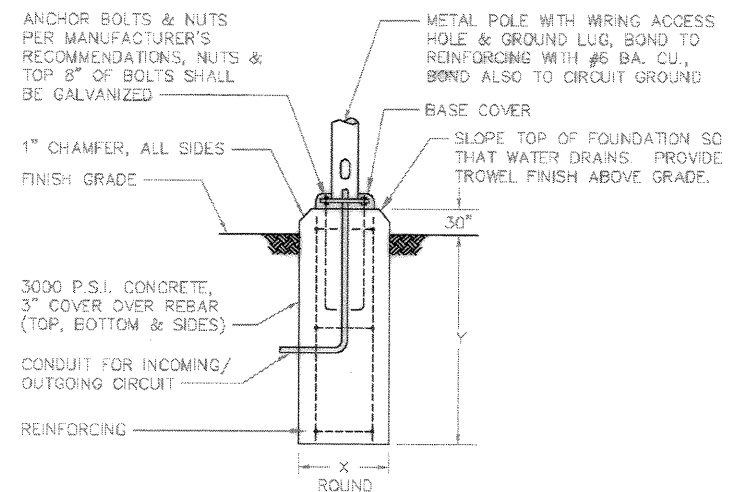
FIXTURE "T"
SCALE: NONE

- IN GROUND INCANDESCENT ACCENT LIGHT.
- COMPOSITE WELL HOUSING. PROVIDE GRAVEL BASE.
- CAST BRASS COVER WITH TEMPERED GLASS LENS AND STAINLESS STEEL HARDWARE.
- ADJUSTMENT BRACKET TO ALLOW 35 DEGREE AIM. ADJUSTMENT.
- FIXTURE SHALL BE MACHINED ALUMINUM WITH STAINLESS STEEL HARDWARE.
- FIXTURE SHALL HAVE TEMPERED GLASS LENS.
- U. L. LISTED FOR WET LOCATIONS.
- 1-50 WATT MR16, 26 DEGREE NARROW FLOOD LAMP.
- PROVIDE REMOTE STEP DOWN TRANSFORMER WITH FIXTURE FOR MOUNTING AS SHOWN.
- 120V.
- BASIS OF DESIGN IS B-K LIGHTING WELL STAR SERIES.



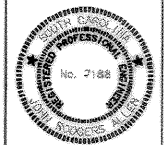
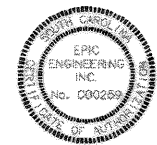
FIXTURE "U"
SCALE: NONE

- INCANDESCENT ACCENT LIGHT.
- FIXTURE DIMENSIONS SHALL BE 4 3/4" LONG x 2 1/4" DIAMETER.
- FIXTURE SHALL BE MACHINED ALUMINUM WITH STAINLESS STEEL HARDWARE AND DARK BRONZE FINISH.
- FIXTURE SHALL HAVE TEMPERED GLASS LENS AND ENCLOSED WIREWAY MOUNTING KNUCKLE. PROVIDE WITH MANUFACTURER'S STANDARD SURFACE MOUNTED DARK BRONZE BACKBOX. MOUNT ON BOTTOM OF METAL TRUSS.
- U. L. LISTED FOR WET LOCATIONS.
- PROVIDE REMOTE STEP DOWN TRANSFORMER WITH FIXTURE FOR MOUNTING AS SHOWN.
- 1-50 WATT MR16, 38 DEGREE FLOOD LAMP.
- 120V.
- BASIS OF DESIGN IS B-K LIGHTING DELTA STAR SERIES.



POLE FOUNDATION DETAIL
SCALE: NONE

POLE HT	X	Y	REINFORCING (REBAR)
20'	20" MIN.	48"	6#4 VERTICAL & #3 TIES @ 12" O.C. (MAX.)
25'	24" MIN.	54"	8#4 VERTICAL & #3 TIES @ 12" D.C. (MAX.)



RECORD DRAWING DATE	9/27/09
CODE LD. NO.	80081
DRAWING SIZE	D
SPEC. NO.	06-88-0938
CONSTN. CONTR. NO.	N62467-98-C-0938
NAVFAC DRAWING NO.	5358510
SHEET	192 OF 194

E-505

Naval Facilities Engineering Command
Southern Division
Charleston, South Carolina

CHARLESTON, SOUTH CAROLINA
DINING FACILITY
DETAILS

REVISIONS	DESCRIPTION	DATE	BY
1	AS-BUILT DRWG. NO CORRECTIONS	10/27/09	PL

WWW.LDLINE.COM

Order Plans