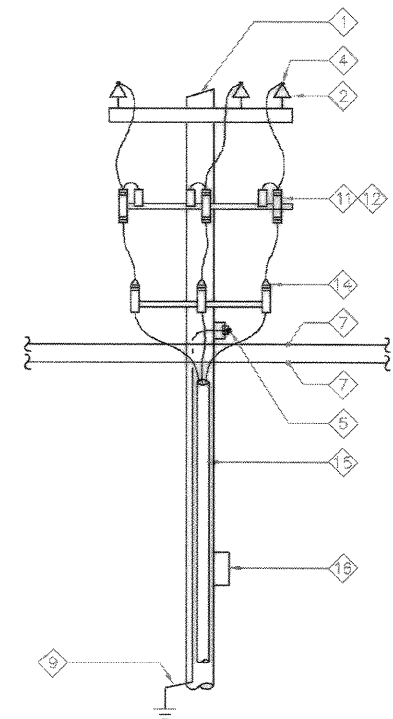
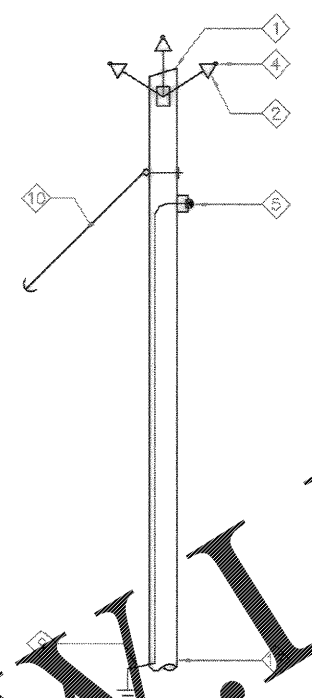


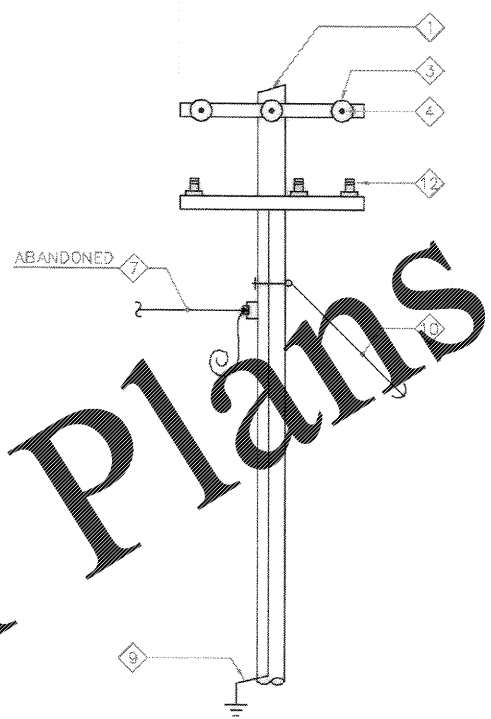
POLE DETAIL - P10
SCALE: NONE



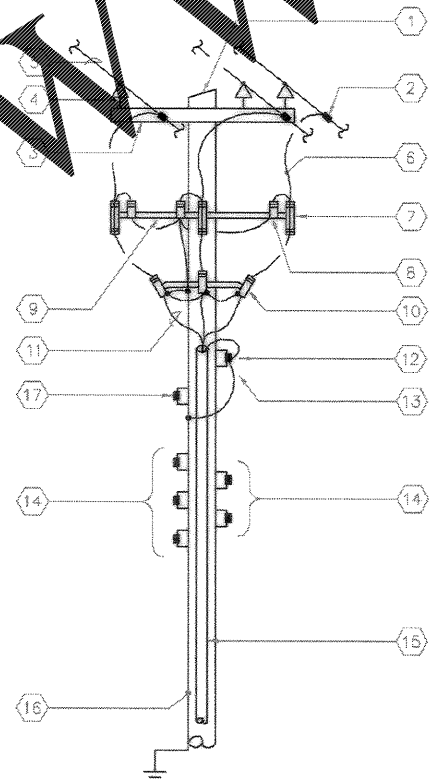
POLE DETAIL - P11
SCALE: NONE



POLE DETAIL - P12
SCALE: NONE



POLE DETAIL - P13
SCALE: NONE



POLE DETAIL - NP4
SCALE: NONE

KEYED DEMOLITION NOTES (THIS SHEET ONLY)

- 1 WOOD POLE - NO LEGIBLE BIRTHMARK, BUT ASSUMED TO BE 40' CLASS 3, UNLESS NOTED OTHERWISE
- 2 15KV PIN INSULATORS
- 3 15KV SUSPENSION INSULATORS
- 4 12.47KV PHASE CONDUCTOR
- 5 NEUTRAL CONDUCTOR
- 6 SPAN GUY
- 7 COMMUNICATION CIRCUITS (TELEPHONE, TV, FIRE ALARM) TELEPHONE CIRCUITS BELONG TO BELL SOUTH - CIRCUITS BELONG TO CABLE TV COMPANY
- 8 FLOOR LIGHT
- 9 GROUND
- 10 SPAN GUY & ANCHOR
- 11 FUSED OUTOUTS
- 12 LIGHTNING ARRESTERS
- 13 3-50KVA POLE MOUNTED TRANSFORMERS
- 14 15KV CABLE TERMINATION
- 15 15KV CABLE & CONDUIT RISER
- 16 TELEPHONE BOX
- 17 POLE BOG SHOE (NOT SHOWN)

KEYED RENOVATION NOTES (THIS SHEET ONLY)

- 1 45' CLASS 3 WOOD POLE.
- 2 COMPRESSION CLAMP
- 3 8' WOOD CROSSARM.
- 4 15 KV PIN INSULATORS.
- 5 EXISTING PRIMARY CONDUCTORS (3 #2 COPPER).
- 6 #2 BARE COPPER JUMPER.
- 7 15 KV FUSED OUTOUT.
- 8 9 KV LIGHTNING ARRESTER.
- 9 MOUNTING BRACKET.
- 10 15 KV CABLE TERMINATIONS AND MOUNTING BRACKET.
- 11 15 KV CABLE.
- 12 SPOOL INSULATOR ON BRACKET.
- 13 EXISTING NEUTRAL.
- 14 EXISTING COMMUNICATIONS CIRCUITS (PROVIDE SUPPORTS).
- 15 CONDUIT RISER.
- 16 #2 COPPER GROUND AND GROUND ROD.
- 17 EXISTING SECONDARY CIRCUIT



DRAWING REVISIONS		PREP BY: <i>ADP</i> DATE: <i>11/14/04</i> CHECKED BY: <i>ADP</i> DATE: <i>11/14/04</i> SUBMITTED BY: <i>(NEW MEMBER)</i> TITLE: <i>TECHNICAL BRANCH</i>	DESIGNED BY: <i>ADP</i> DATE: <i>11/14/04</i> CHECKED BY: <i>ADP</i> DATE: <i>11/14/04</i> SUBMITTED BY: <i>(NEW MEMBER)</i> TITLE: <i>TECHNICAL BRANCH</i>
Rev.	Description		
1	AS-BUILT DWG. NO CORRECTIONS		
CHARLESTON AIR FORCE BASE CHARLESTON, SOUTH CAROLINA DINING FACILITY UTILITY POLE DETAILS		APPROVED: <i>ADP</i> DATE: <i>11/14/04</i> FOR COMMANDER, NAVFAC	
Naval Facilities Engineering Command Southern Division Charleston, South Carolina			
RECORD DRAWING DATE: <i>9/27/04</i> LODGE LD. NO.: 80881 DRAWING SIZE: D SPEC. NO. 06-88-0638 CONSTR. CONTR. NO. N62467-98-C-0539 NAVFAC DRAWING NO. 5358007 SHEET 132 OF 134		E-502	

Order Plans

@

WWW.LDOnline.com