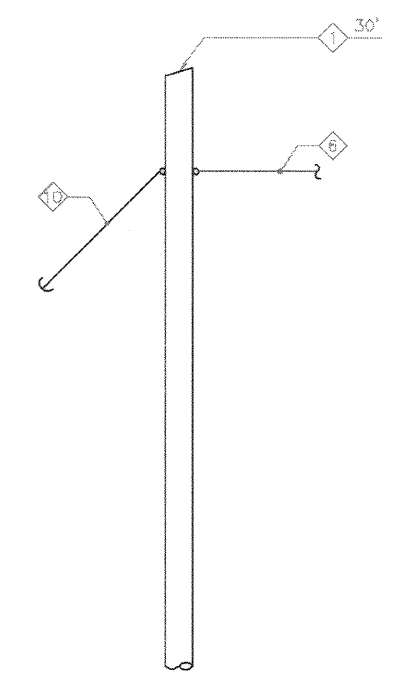
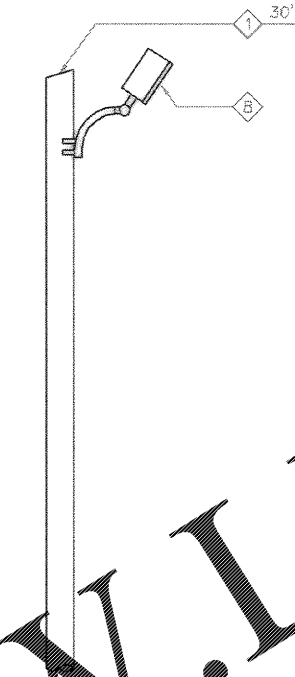


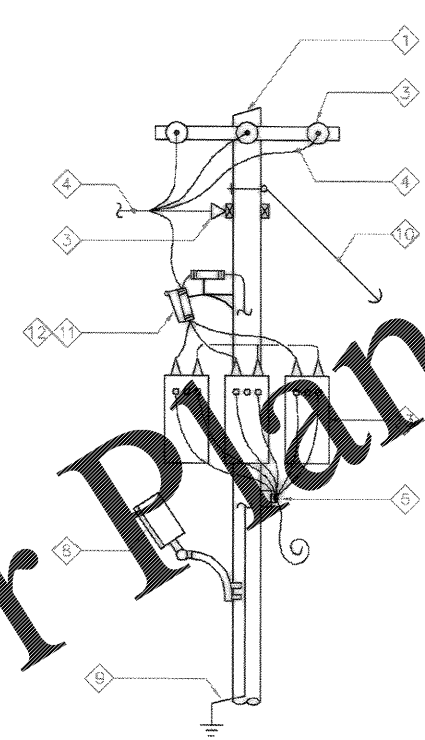
POLE DETAIL - P4
SCALE: NONE



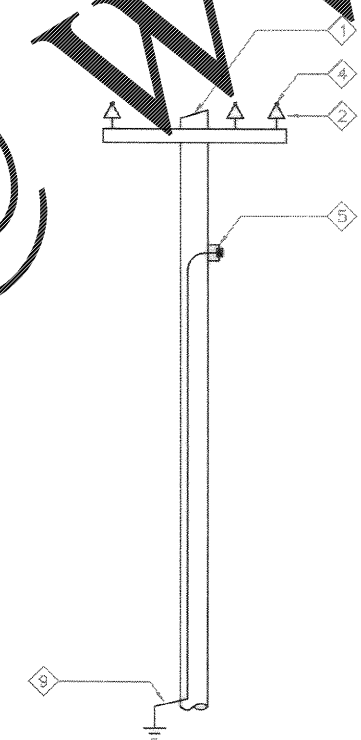
POLE DETAIL - P6
SCALE: NONE



POLE DETAIL - P7
SCALE: NONE



POLE DETAIL - P8
SCALE: NONE



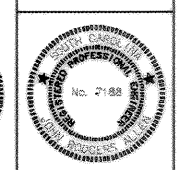
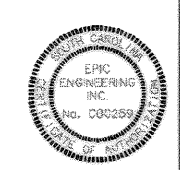
POLE DETAIL - P9
SCALE: NONE

KEYED DEMOLITION NOTES (THIS SHEET ONLY)

- ① WOOD POLE - NO LEGIBLE BIRTHMARK, BUT ASSUMED TO BE 40' CLASS 3, UNLESS NOTED OTHERWISE
- ② 15KV PIN INSULATORS
- ③ 15KV SUSPENSION INSULATORS
- ④ 12.47KV PHASE CONDUCTOR
- ⑤ NEUTRAL CONDUCTOR
- ⑥ SPAN GUY
- ⑦ COMMUNICATION EQUIPTS (TELEPHONE, TV, FIRE ALARM) - TELEPHONE CIRCUITS BELONG TO BELL SOUTH - CIRCUITS BELONG TO CABLE TV COMPANY
- ⑧ FLOOR LIGHT
- ⑨ GROUND
- ⑩ SPAN GUY & ANCHOR
- ⑪ FUSED CUTOUPS
- ⑫ LIGHTNING ARRESTERS
- ⑬ 3-50KVA POLE MOUNTED TRANSFORMERS
- ⑭ 15KV CABLE TERMINATION
- ⑮ 15KV CABLE & CONDUIT RISER
- ⑯ TELEPHONE BOX
- ⑰ POLE BOG SHOE (NOT SHOWN)

Order Plans @

WWW.LDILINE.COM



DRAWING REVISIONS		Prep By: <i>[Signature]</i>	Date: <i>[Date]</i>	Appr'd By: <i>[Signature]</i>	DATE: 7-6-377
Rev. 1	AS-BUILT DRAWING, NO CORRECTIONS	<i>[Signature]</i>	<i>[Date]</i>	<i>[Signature]</i>	DATE: 7-6-377
CHARLESTON AIR FORCE BASE		CHARLESTON, SOUTH CAROLINA		DINING FACILITY	
UTILITY POLE DETAILS		APPROVED: <i>[Signature]</i>		DATE: 4/14/04	
Naval Facilities Engineering Command		Southern Division		Charleston, South Carolina	
RECORD DRAWING DATE		9/27/04		CODE: LD NC 80081	
DRAWING SIZE		D		SPEC. NO. 06-98-0636	
CONSTR. CONTR. NO.		H82467-98-C-0639		NAVFAC DRAWING NO. 535B006	
SHEET 181 OF 184		E-501			