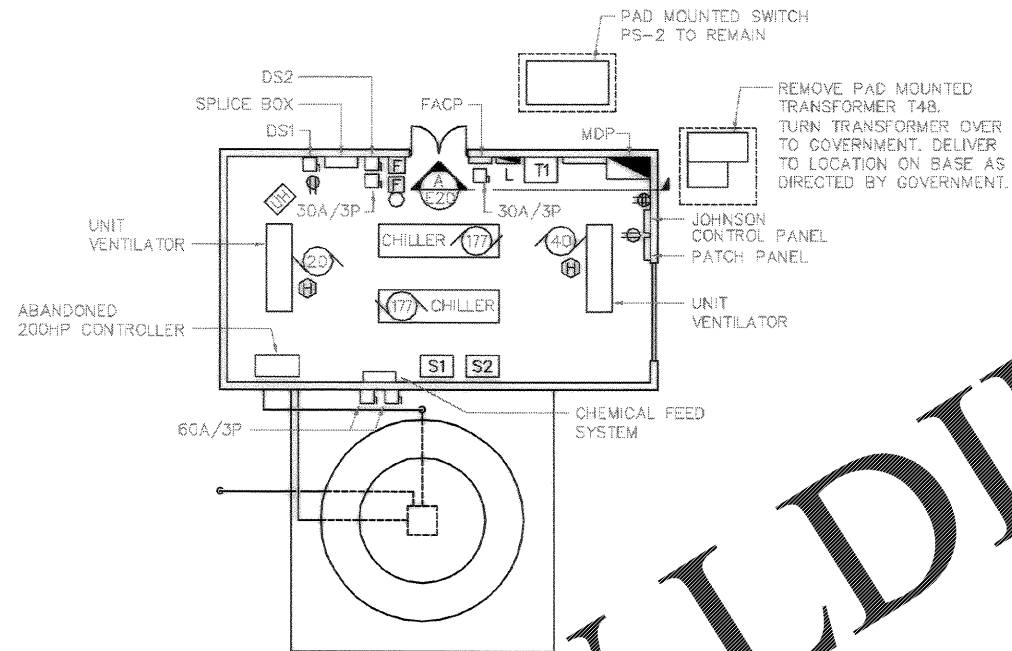


LIGHTING DEMOLITION PLAN - BLDG. 467
SCALE: 1/8"=1'-0"



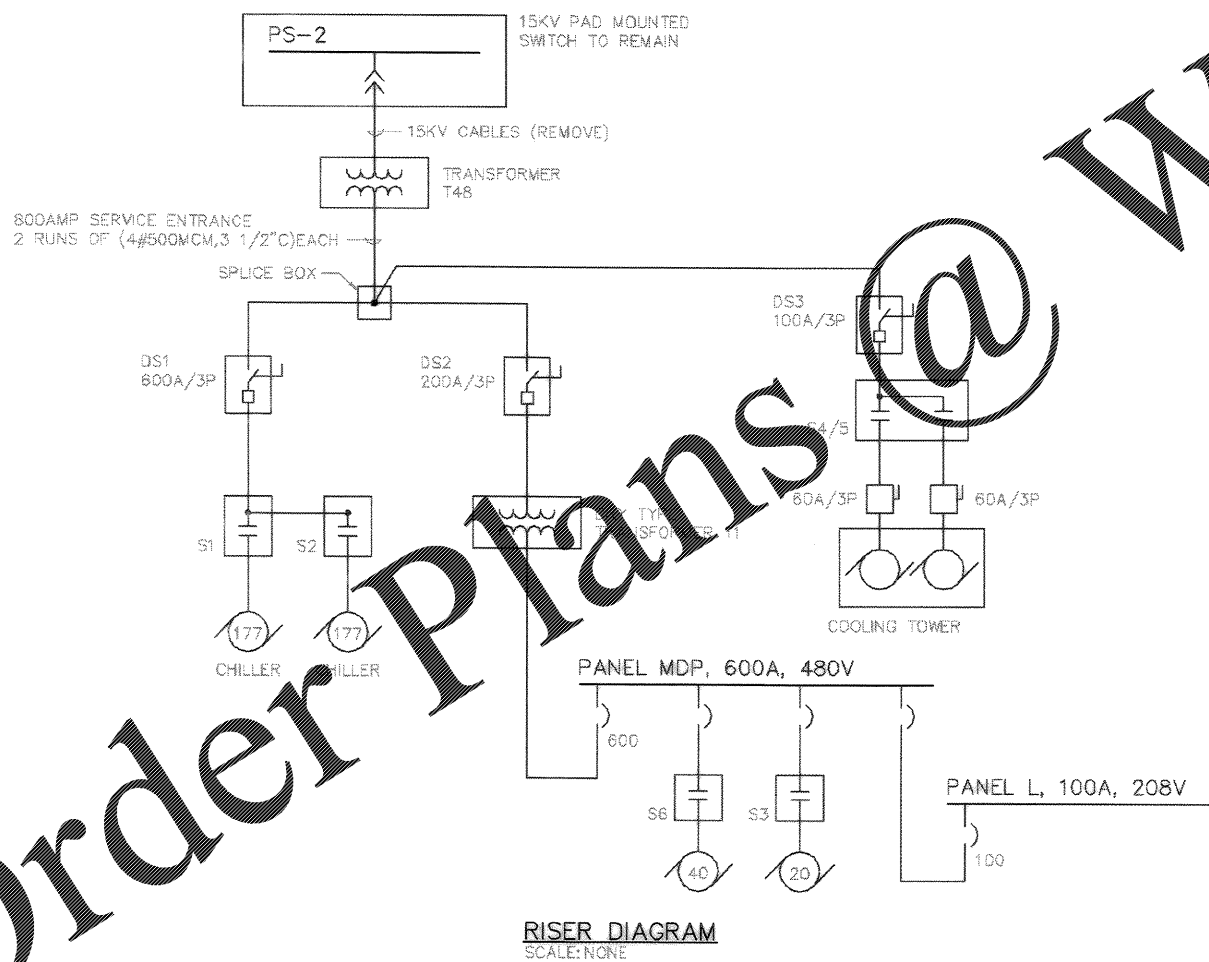
POWER DEMOLITION PLAN - BLDG. 467
SCALE: 1/8"=1'-0"

NOTES:

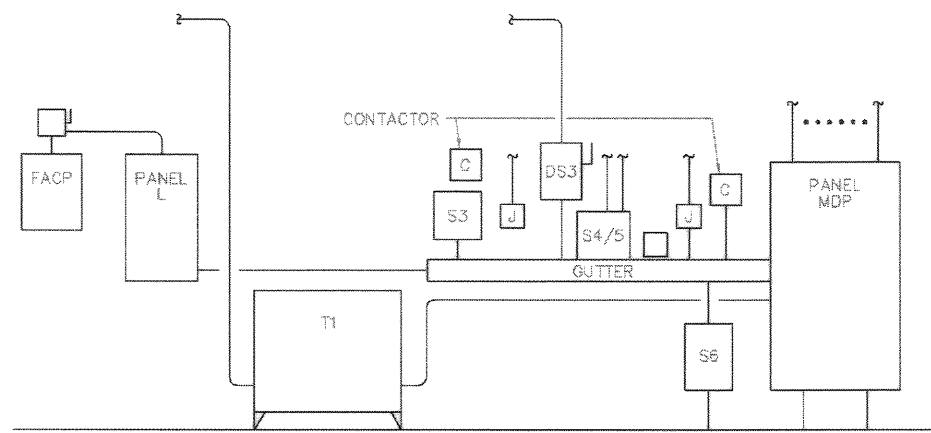
1. REMOVE ALL EQUIPMENT SHOWN ON DRAWING, ASSOCIATED CIRCUITS (WIRE AND CONDUITS) AND ALL ASSOCIATED HANGERS AND DEVICES (UNLESS NOTED OTHERWISE).
2. WHERE NO CIRCUIT IS SHOWN, ASSUME EACH ITEM IS ON A CIRCUIT. EQUIPMENT SHOWN ON FLOOR PLAN IS FED WITH A CIRCUIT. SEE RISER DIAGRAM FOR INDICATION OF CIRCUITS LARGER THAN 20A. (FOR EXAMPLE - A 600A DISCONNECT SWITCH IS FED WITH A 600A CIRCUIT).

EQUIPMENT LIST

ITEM	DESCRIPTION
T48	PAD MOUNTED OIL-FILLED TRANSFORMER, 500KVA, 12,470V-480V, 3Ø
DS1	DISCONNECT SWITCH, 600A, 3P
DS2	DISCONNECT SWITCH, 200A, 3P
DS3	DISCONNECT SWITCH, 100A, 3P
S1	WESTINGHOUSE CHILLER STARTER (200HP)
S2	WESTINGHOUSE CHILLER STARTER (200HP)
S3	STARTER (20HP)
S4/5	2 STARTERS IN 1 ENCLOSURE (2-20HP)
S6	STARTER (40HP)
T1	DRY TYPE TRANSFORMER, 112.5KVA, 480-208Y/120V, 3Ø, 4W
PANEL MDP	PANELBOARD, 600A, 600AMCB, 480V, 3Ø, 4W
PANEL L	PANELBOARD, 100A, 100AMCB, 208V, 3Ø, 4W

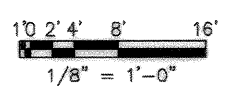


RISER DIAGRAM
SCALE: NONE



(A) ELEVATION
SCALE: NONE

GRAPHIC SCALE



ALL WORK SHOWN ON THIS SHEET IS PART OF CHILLER PLANT REPLACEMENT OPTION

Order Plans @

WWW.LDITLINE.COM

CHARLESTON AIR FORCE BASE
 CHARLESTON, SOUTH CAROLINA
 DINING FACILITY
 EXISTING CHILLER PLANT DEMOLITION PLANS & DETAILS
 APPROVED: *[Signature]* DATE: *[Date]*
 EPIC FOR COMMAND, NAVFAC
 Naval Facilities Engineering Command
 Southern Division
 Charleston, South Carolina
 RECORD DRAWING DATE: 9/27/04
 CD#E: 135 N.C. 80051
 DRAWING SIZE: D
 SPEC. NO. D6-88-0938
 CONSTR. CONTR. NO. N62447-88-C-0938
 NAVFAC DRAWING NO. 5358001
 SHEET 176 OF 194
E-108