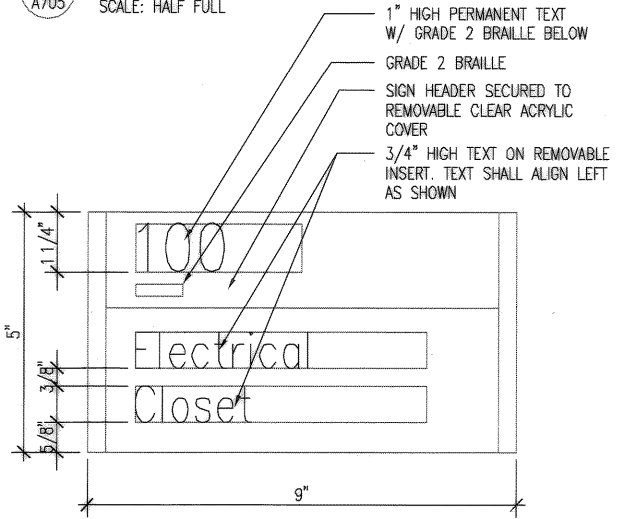
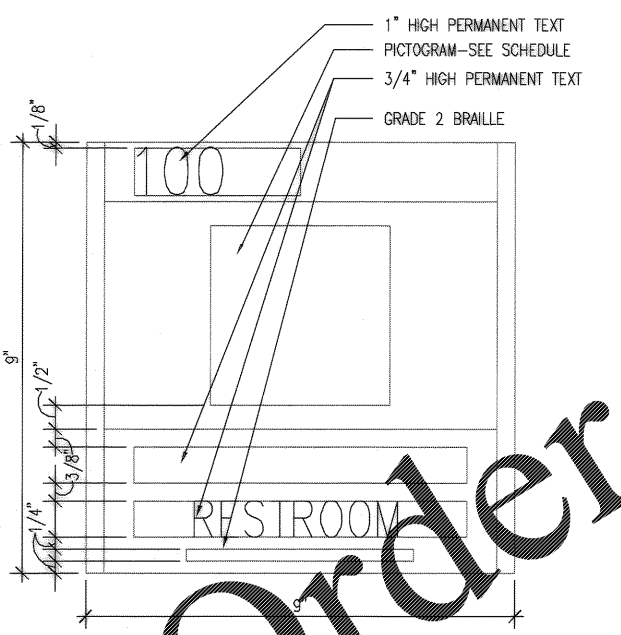


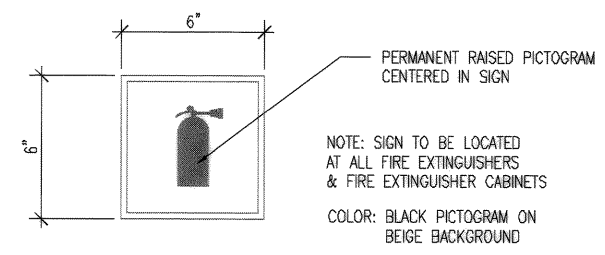
1 SIGN TYPE A
SCALE: HALF FULL



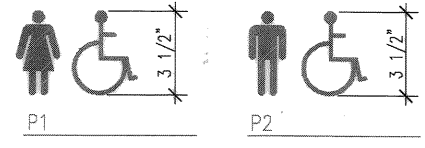
2 SIGN TYPE B
SCALE: HALF FULL



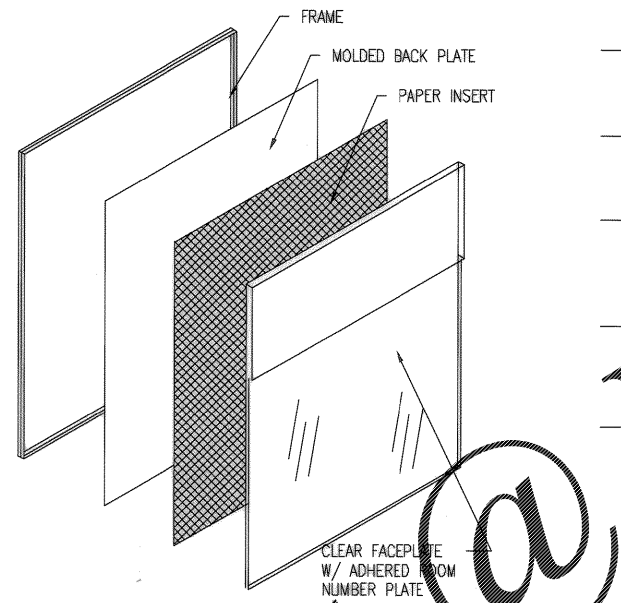
3 SIGN TYPE C
SCALE: HALF FULL



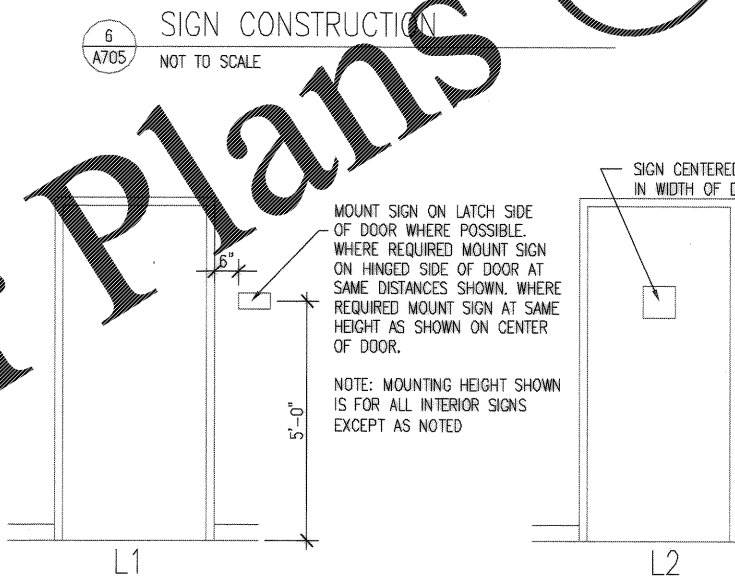
4 SIGN TYPE D
SCALE: 3" = 1'-0"



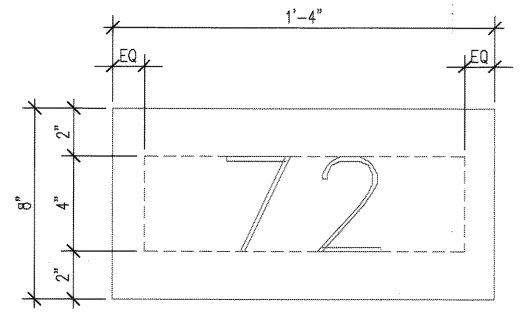
5 PICTOGRAMS
SCALE: 3" = 1'-0"



6 SIGN CONSTRUCTION
NOT TO SCALE

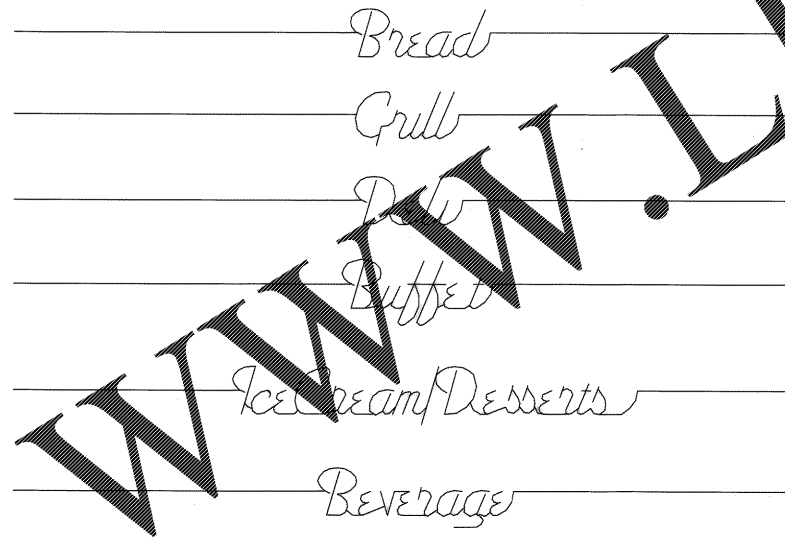


7 SIGNAGE MOUNTING HEIGHT
SCALE: 1/2" = 1'-0"



NOTES:
1. DINING FACILITY BUILDING NUMBER IS 468.
2. INSTALL (1) ONE SIGN AT EACH CORNER OF BUILDING AS DIRECTED BY THE CONTRACTING OFFICER.

8 SIGN TYPE E-BLDG. NO.
SCALE: 3" = 1'-0"

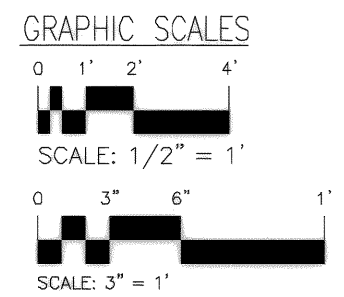


NOTE: SEE C.I.D. PACKAGE SCHEME D FOR NEON COLORS
NEON SCRIPT (TYP)- 8" HIGH LETTER (CAPITAL) 5" HIGH (LOWER CASE)
SEE SHEET A15 FOR LOCATION

9 NEON SIGNAGE
NOT TO SCALE

SIGN SCHEDULE							
DOOR NO.	SIGN NO.	MOUNTING		TYPE	QTY.	TEXT	PICTOGRAM
		ROOM SIDE	LOCATION				
107	S-5	---	L2	C	1	WOMEN	P1
108	S-6	---	L2	C	1	MEN	P2
110	S-4	---	L1	A	1	OFFICE	
114	S-3	---	L1	B	1	SERVING LINE	
115	S-1	---	L1	B	1	JANITOR	
117	S-2	---	L1	B	1	DISHWASHING	
121	S-8	---	L1	B	1	COMM.	
122	S-7	---	L1	A	1	OFFICE	
123	S-9	---	L2	C	1	MEN	P2
124	S-10	---	L2	C	1	WOMEN	P1
131	S-15	---	L1	B	1	LOCKER ROOM	
127	S-11	---	L1	B	1	STORAGE	
128	S-13	---	L1	A	1	OFFICE	
129	S-12	---	L1	A	1	OFFICE	
130A	S-14	---	L1	B	1	DRY STORAGE	
133	S-16	---	L1	B	1	ELECTRICAL	

SIGN TYPES:
SIGN TYPE "A" (4" H x 9" W)
COLORS - BLACK TEXT ON BEIGE FIELD
ROOM NUMBER - 1" TEXT, LEFT JUSTIFIED.
OCCUPANT NAME AND TITLE - UPPER AND LOWER CASE HELVETICA MEDIUM, 3/8" CAPITAL LETTER HEIGHT, LEFT JUSTIFIED.
SIGN TYPE "B" (5" H x 9" W)
COLORS - BLACK TEXT ON BEIGE FIELD
ROOM NUMBER - 1" TEXT, LEFT JUSTIFIED.
ROOM TITLE - 3/4" TEXT, LEFT JUSTIFIED.
SIGN TYPE "C" (9" H x 9" W)
COLORS - BLACK TEXT ON BEIGE FIELD
ROOM NUMBER - 1" TEXT, LEFT JUSTIFIED.
ROOM TITLE - 3/4" TEXT, LEFT JUSTIFIED.
GENERAL NOTES
1. SYSTEM 2190 INTERIOR STANDARD SIGN, SEE SHEET G1 FOR SIGNAGE LOCATIONS.
2. USER TO ASSIGN ROOM NAMES AS THEY RELATE TO THE SIGNAGE PACKAGE.



GLICK/BOEHM & ASSOCIATES, INC.
247 Meeting Street
Charleston, S.C. 29401 (803) 577-6377

DR. SIDES
DR. BOEHM
DR. BOEHM
DR. BOEHM

APPROVED: *BD* DATE: *9/27/04*

RECORD DRAWING DATE: *9/27/04*
CODE 15, NO. 80091
DRAWING SIZE: D
SPEC. NO. 05-98-0939
CONSTR. CONTR. NO. N62487-98-C-0939
NAVFAC DRAWING NO.

SHEET 98 OF 194
A-705

NAVY FACILITIES ENGINEERING COMMAND
Southern Division
Charleston, South Carolina

CHARLESTON AIR FORCE BASE CHARLESTON, SOUTH CAROLINA
DINING FACILITY
SIGNAGE

ED FOR COMMANDR. NAVFAC

Order Plans @

WWW.LDLINE.COM