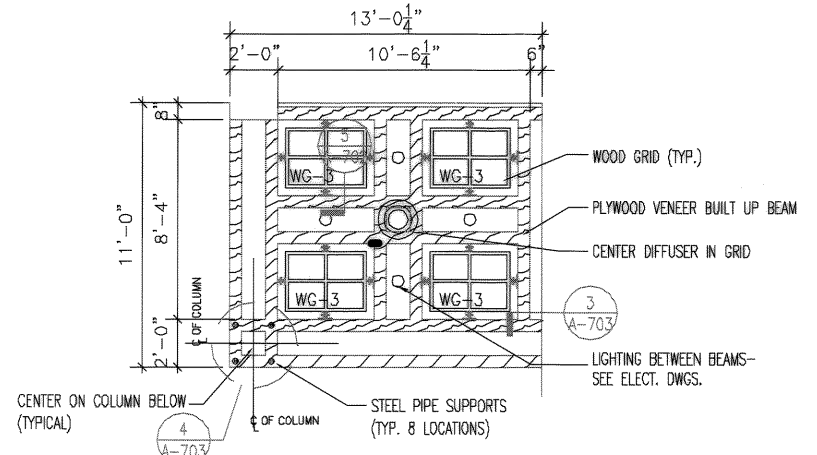
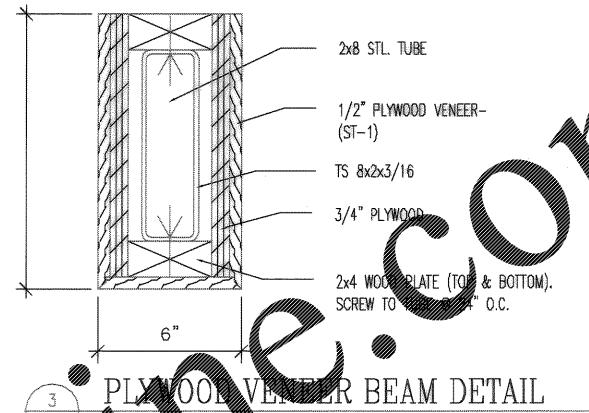


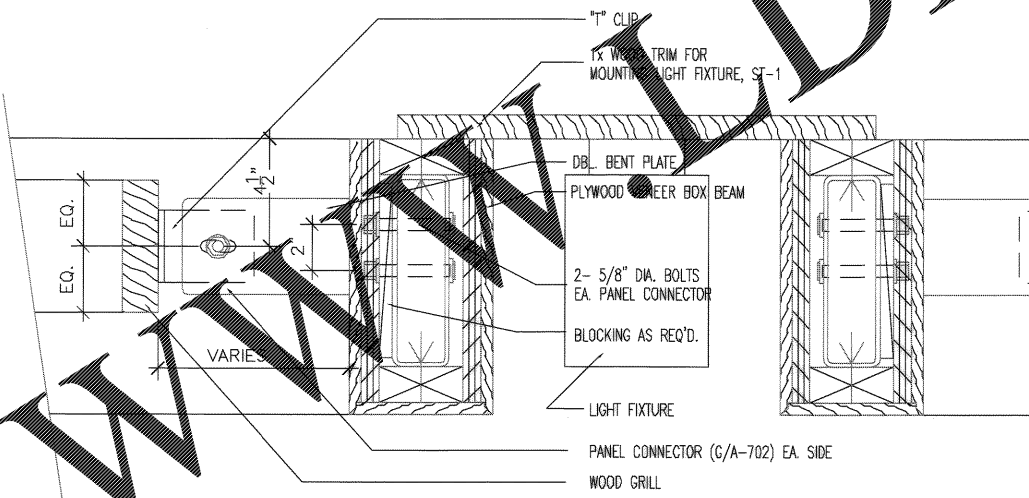
1 DINING ROOM CEILING GRID PLAN
SCALE: 1/4" = 1'-0"



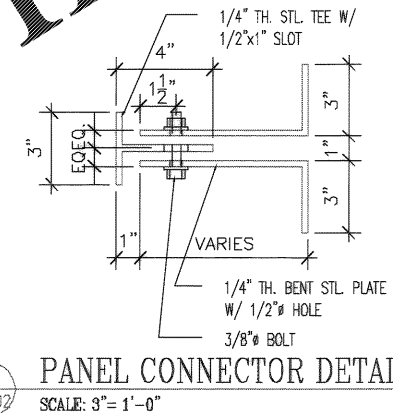
2 LOBBY CEILING GRID PLAN
SCALE: 1/4" = 1'-0"



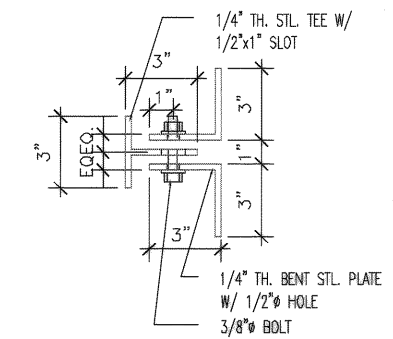
3 PLYWOOD VENEER BEAM DETAIL
SCALE: 3" = 1'-0"



5 PANEL CONNECTOR DETAIL
SCALE: 3" = 1'-0"



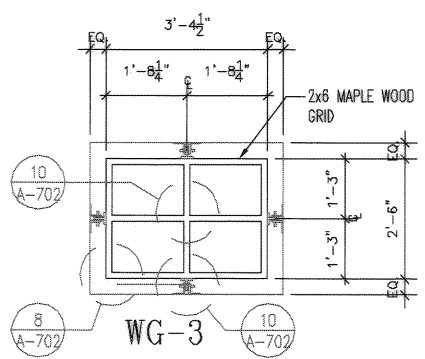
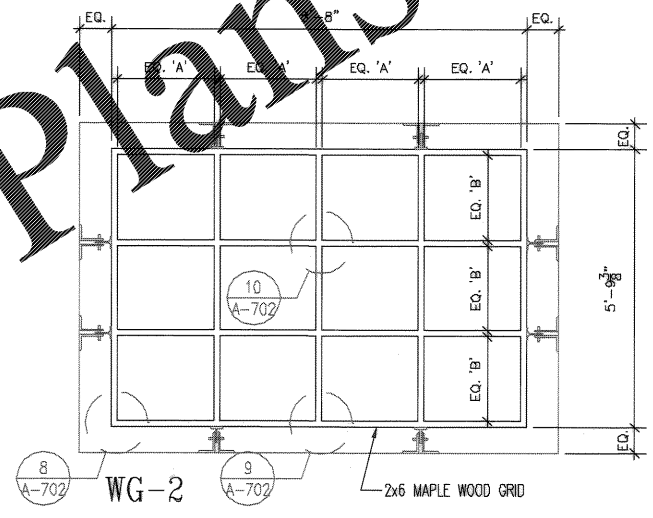
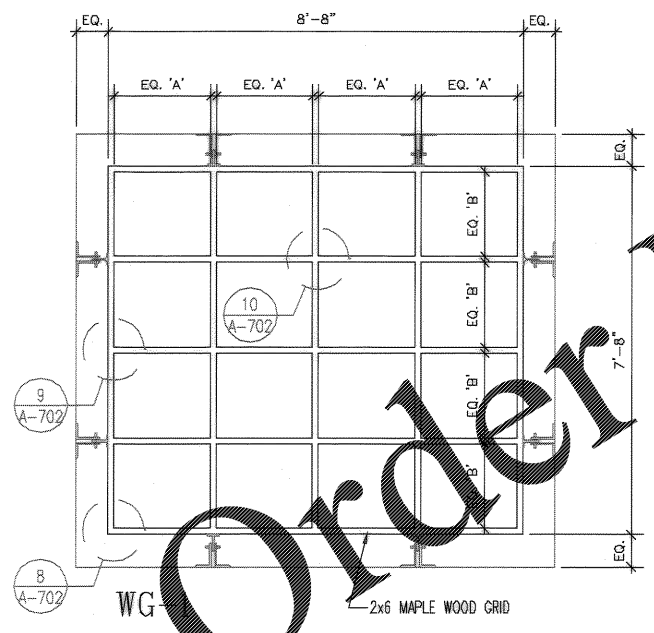
6 PANEL CONNECTOR DETAIL
SCALE: 3" = 1'-0"



7 PANEL CONNECTOR DETAIL
SCALE: 3" = 1'-0"

WOOD GRID PANEL SCHEDULE

1 REMOVE 3" FROM THE WEST THIRD OF THE CEILING GRID. SLIDE GRID TO THE WEST. ADD THE SECTIONS TO THE EAST THIRD TO ALIGN THE TRANSVERSE GRID BEAMS OVER THE COLUMN SUPPORTS.

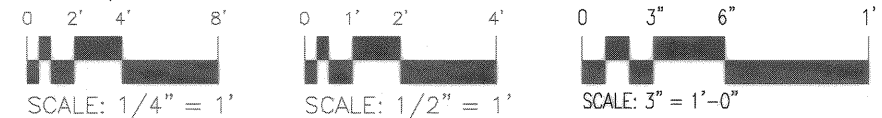


8 GRILL DETAIL
SCALE: 3" = 1'-0"

9 GRILL DETAIL
SCALE: 3" = 1'-0"

10 GRILL DETAIL
SCALE: 3" = 1'-0"

GENERAL NOTES:
1. ALL WOOD SHALL BE MAPLE, ST-1
2. ALL PLYWOOD SHALL BE MAPLE VENEER, ST-1



Order Plans @

DRAWING REVISIONS
 Description
 Rev. 1 DRWG. CORRECTED TO AS-BUILT
 Date 5/11/14
 Prepped by JCS
 Checked by BOEHM
 Approved by JCS
 Date 5/11/14
 Scale 3" = 1'-0"
 SHEET 95 OF 194
 A-702

CHARLESTON AIR FORCE BASE
 CHARLESTON, SOUTH CAROLINA
 DINING FACILITY
 INTERIOR DETAILS
 APPROVED BY DATE 5/11/14
 ETD FOR COMMANDER, NAVFAC

Naval Facilities Engineering Command
 Southern Division
 Charleston, South Carolina

STATE OF SOUTH CAROLINA
 CLICK/BOEHM & ASSOCIATES, INC.
 CHARLESTON
 NO. B-80005
 REGISTERED ARCHITECT

RECORD DRAWING DATE 9/27/04
 CODE I.D. NO. 80091
 DRAWING SIZE: D
 SPEC. NO. 06-98-0939
 CONSTR. CONTR. NO. N62467-98-C-0939
 NAVFAC DRAWING NO. 5357920
 SHEET 95 OF 194
 A-702