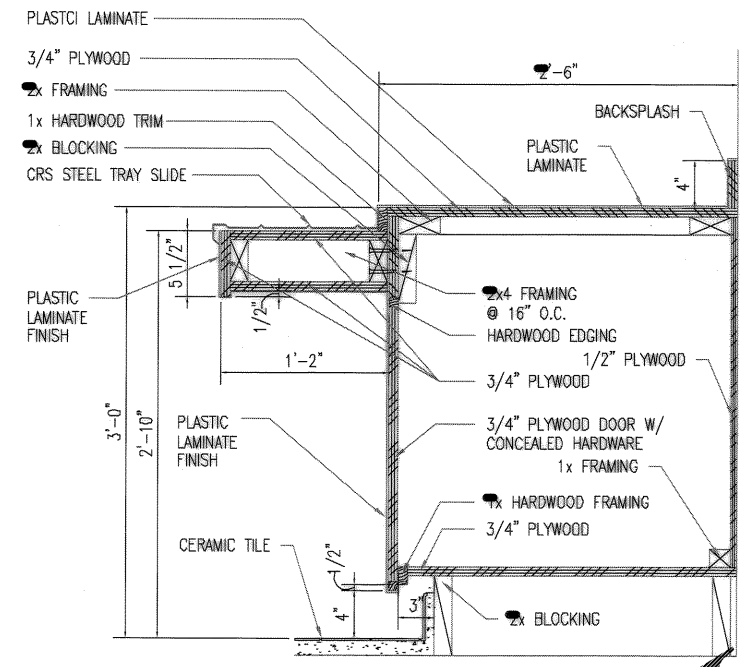
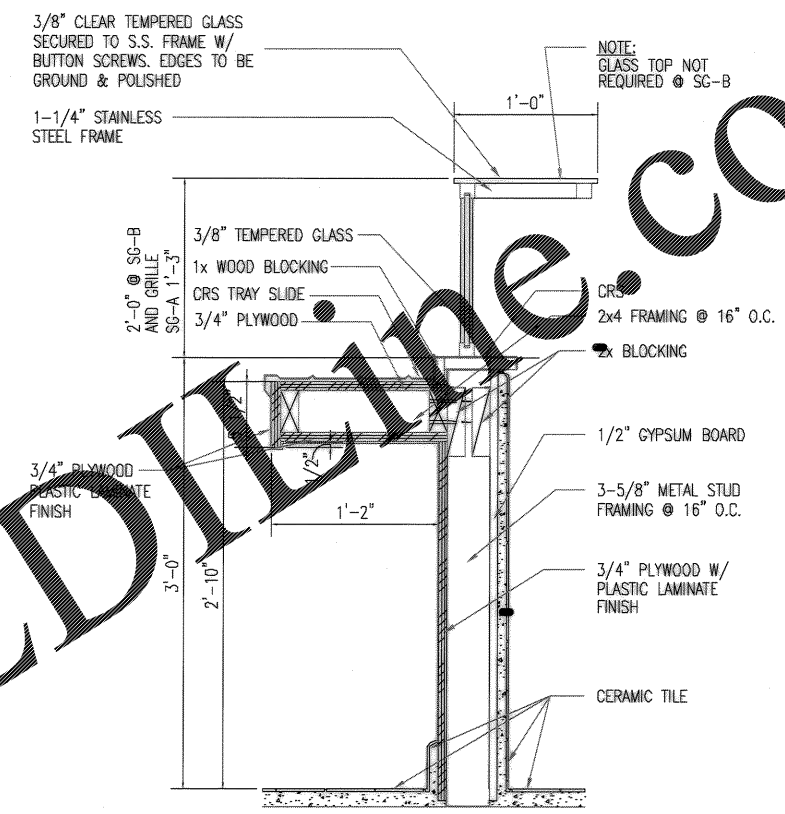


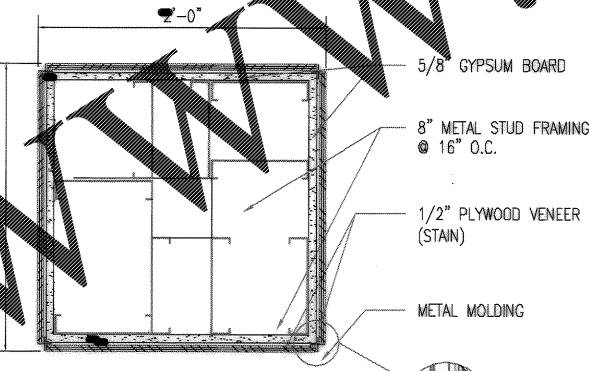
1
A-102
HOT/ COLD FOOD PAN COUNTER SECTION
SCALE: 1-1/2" = 1'-0"



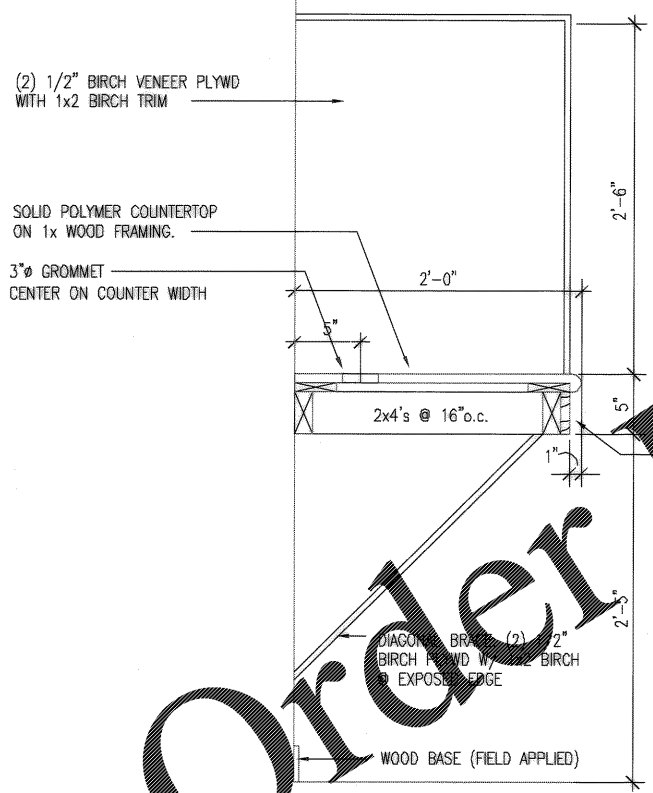
2
A-102
COUNTER SECTION
SCALE: 1-1/2" = 1'-0"



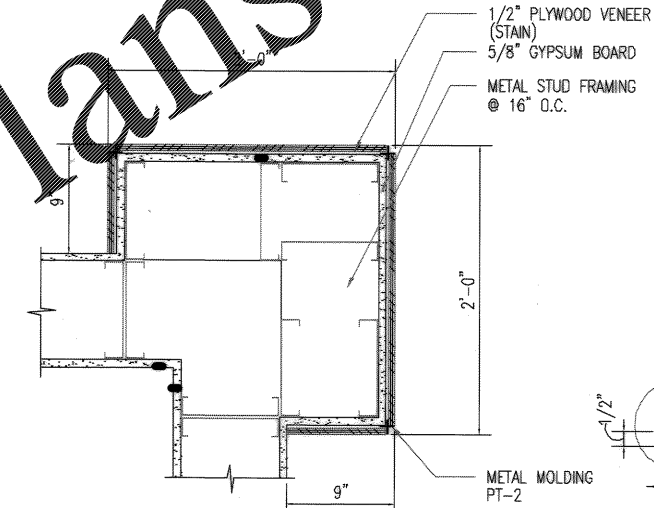
4
A-102
TRAY SLIDE @ HALF WALL W/ SNEEZE GUARD
SCALE: 1-1/2" = 1'-0"



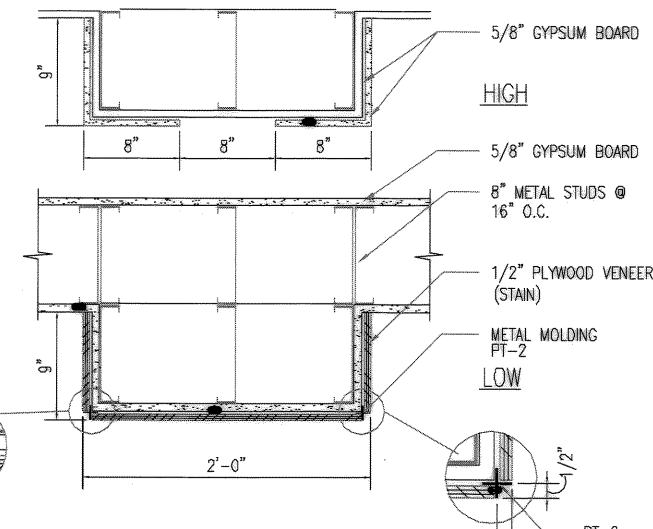
3
A-102
PLAN DETAIL
SCALE: 1-1/2" = 1'-0"



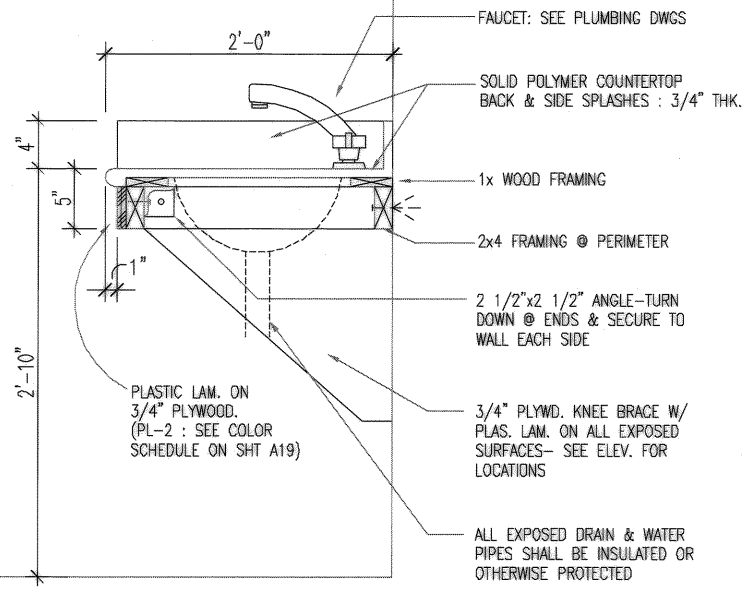
6
A-102
TELEPHONE BANK DETAIL
SCALE: 1-1/2" = 1'-0"



6
A-102
PLAN DETAIL
SCALE: 1-1/2" = 1'-0"



7
A-102
PLAN DETAIL
SCALE: 1-1/2" = 1'-0"



8
A-102
LAVATORY SECTION
SCALE: 1-1/2" = 1'-0"

Order Plans @ WWW.LDLINE.COM

CHARLESTON AIR FORCE BASE
CHARLESTON, SOUTH CAROLINA

DINING FACILITY
INTERIOR DETAILS

APPROVED: *RD* DATE: 5/11/64
EFD FOR COMMANDER, NAVFAC

RECORD DRAWING DATE: 9/27/04
CODE I.D. NO.: 80091
DRAWING SIZE: D
SPEC. NO. 06-98-0939
CONSTR. CONTR. NO. N62467-98-C-0939
NAVFAC DRAWING NO. 5357919
SHEET 94 OF 194

A-701

468-100