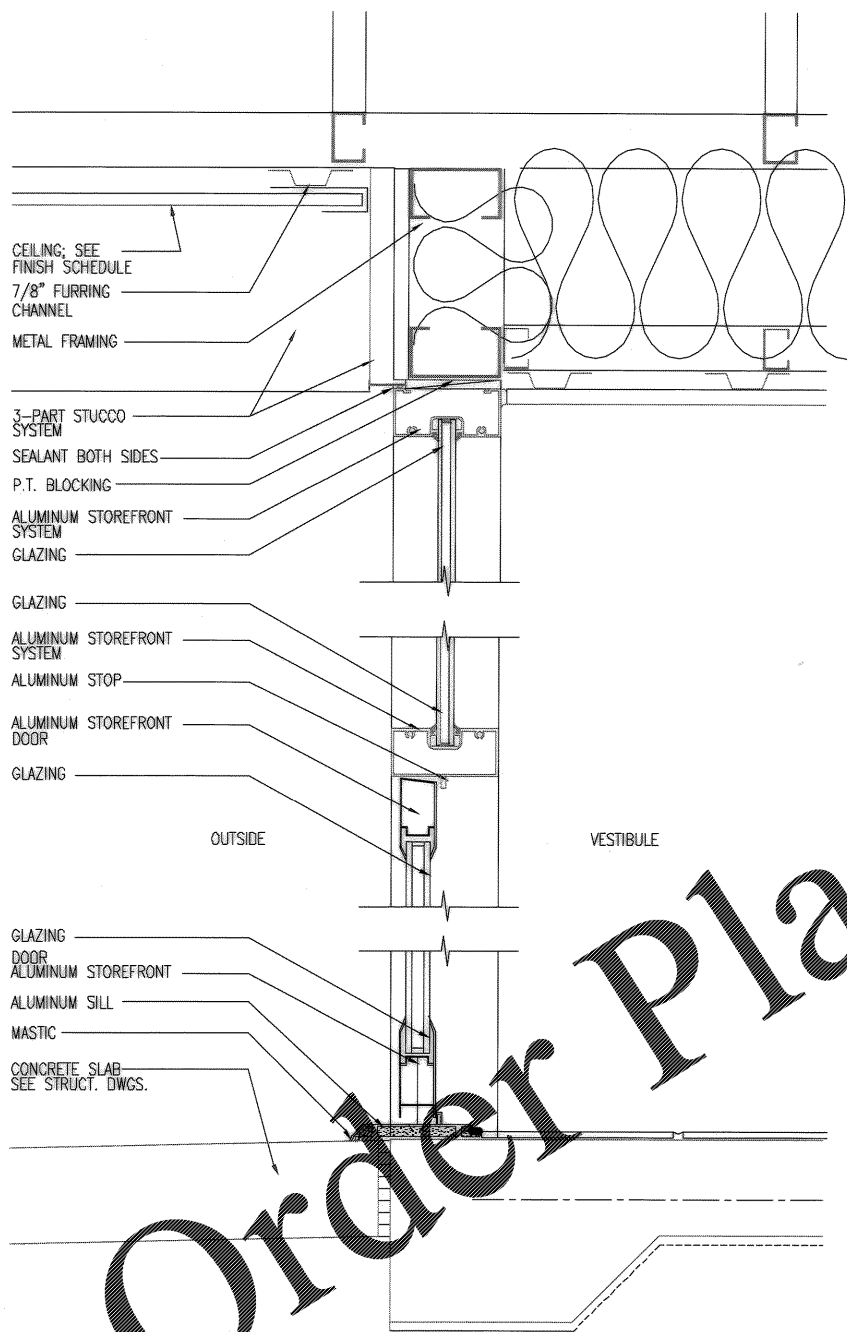
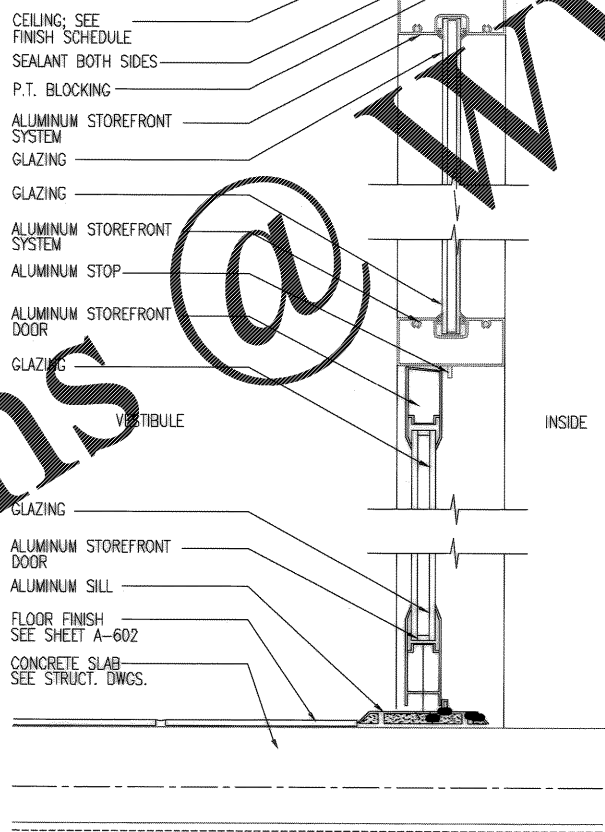
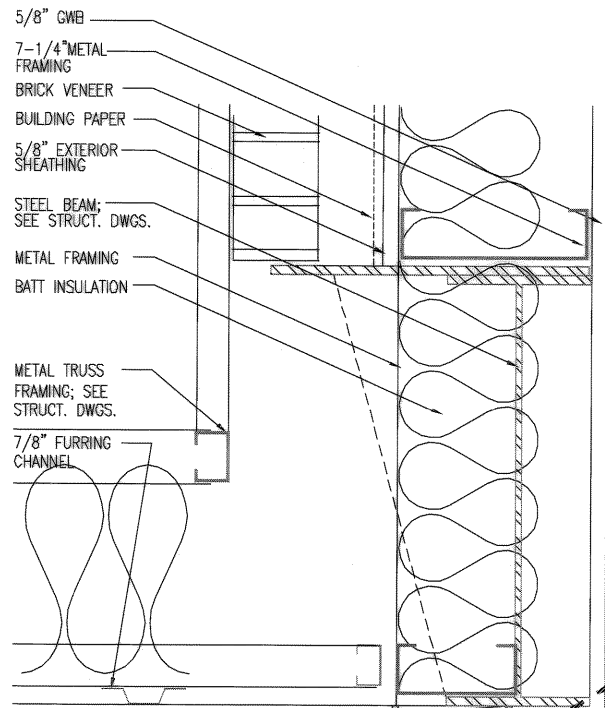


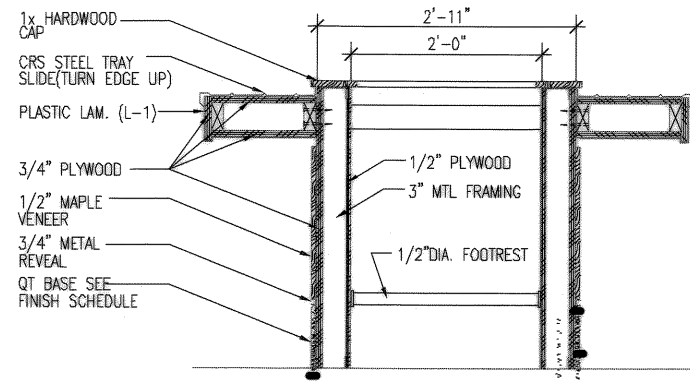
1 WOOD CASING OPENING  
SCALE: 3" = 1'-0"



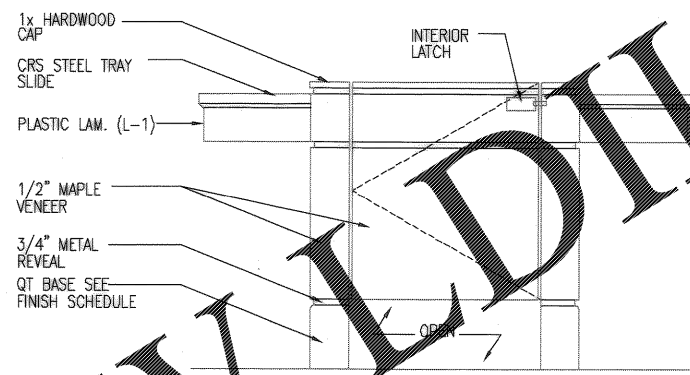
2 DOOR DETAIL @ ENTRY VESTIBULE  
SCALE: 3" = 1'-0"



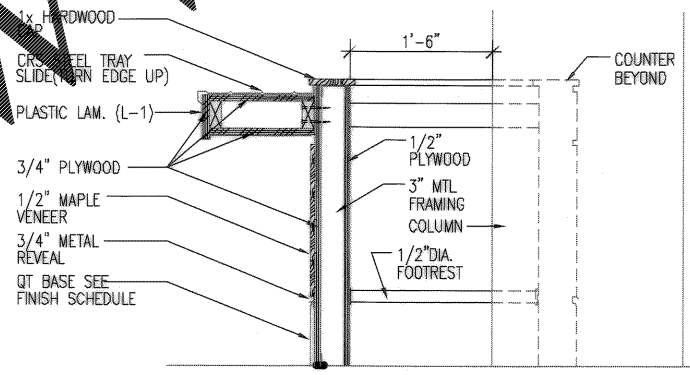
3 DOOR DETAIL @ ENTRY VESTIBULE  
SCALE: 3" = 1'-0"



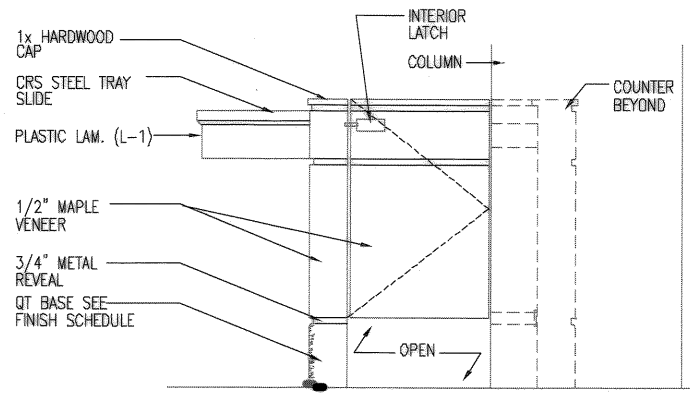
SECTION "AA"



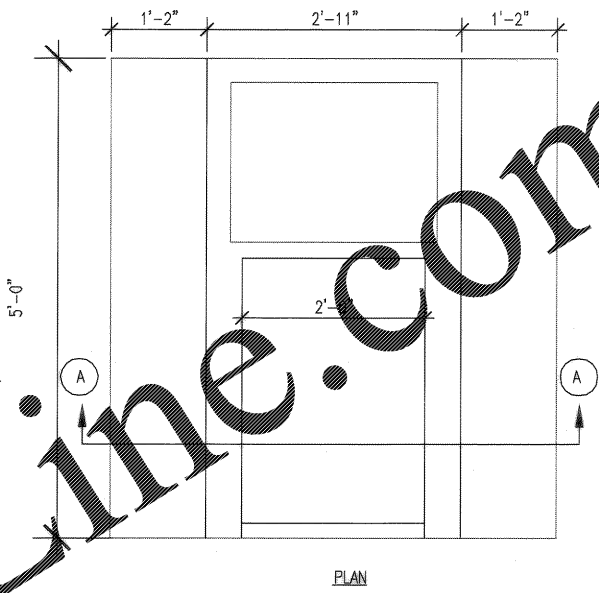
ELEVATION "A"



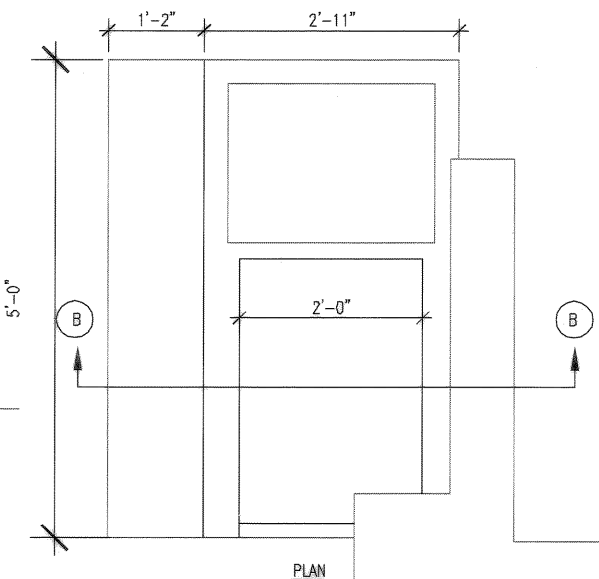
SECTION "BB"



ELEVATION "B"



PLAN



PLAN

4 CASHIER'S COUNTER DETAILS  
SCALE: 1" = 1'-0"

Order Plans @

WWW.IDIline.com

DRAWING REVISIONS Description Rev. 1 AS-BUILT DRWG. NO CORRECTIONS Rev. 2 Rev. 3 Rev. 4 Rev. 5		Prep By: <i>[Signature]</i> Date: <i>[Date]</i> Apprd. <i>[Signature]</i> Date: <i>[Date]</i>		Glick/Boehm & Associates, Inc. 247 Meeting Street Charleston, S.C. 29401 (803) 577-6377 FAX: (803) 577-6378	
APPROVED: <i>[Signature]</i> DATE: <i>[Date]</i>		SUBMITTED BY (FIRM MEMBER-TITLE): DATE: <i>[Date]</i>		CHECKED BY: <i>[Signature]</i> DATE: <i>[Date]</i>	
CHARLESTON AIR FORCE BASE DINING FACILITY MISC. DETAILS		CHARLESTON, SOUTH CAROLINA		ETD FOR COMMANDER, NAVFAC	
Naval Facilities Engineering Command Southern Division Charleston, South Carolina		STATE OF SOUTH CAROLINA Glick/Boehm & Associates, Inc. CHARLESTON NO. 9-80006 REGISTERED ARCHITECT		RECORD DRAWING DATE: <i>9/27/99</i> CODE NO. 80091 DRAWING SIZE: <i>D</i> SPEC. NO. 06-98-0939 CONSTR. CONTR. NO. <i>NS2467-98-C-0939</i> NAVFAC DRAWING NO. <i>5357918</i> SHEET <i>93</i> OF <i>194</i>	
A-607		A-607		A-607	