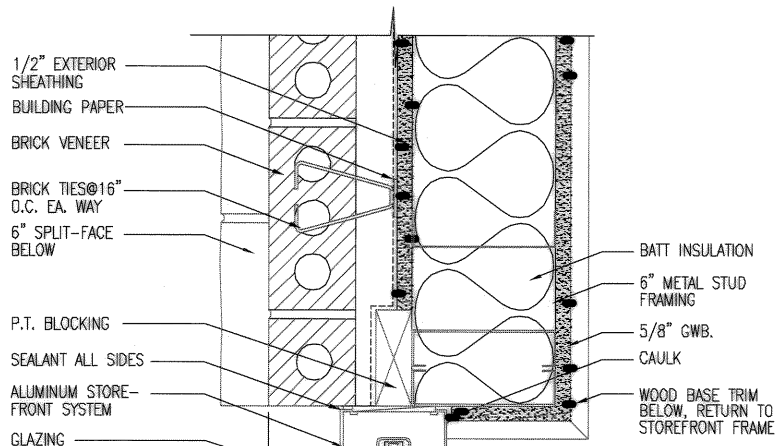
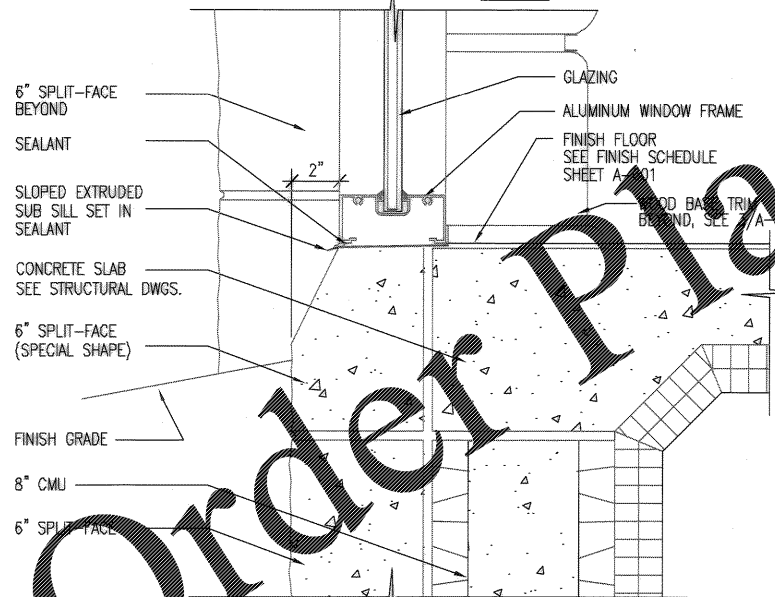


HEAD



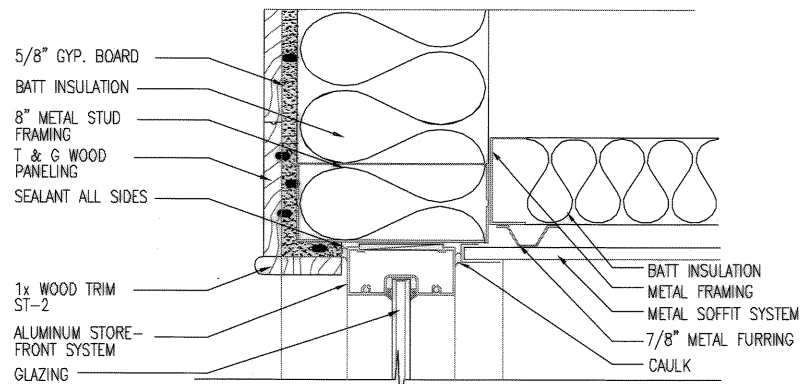
JAMB



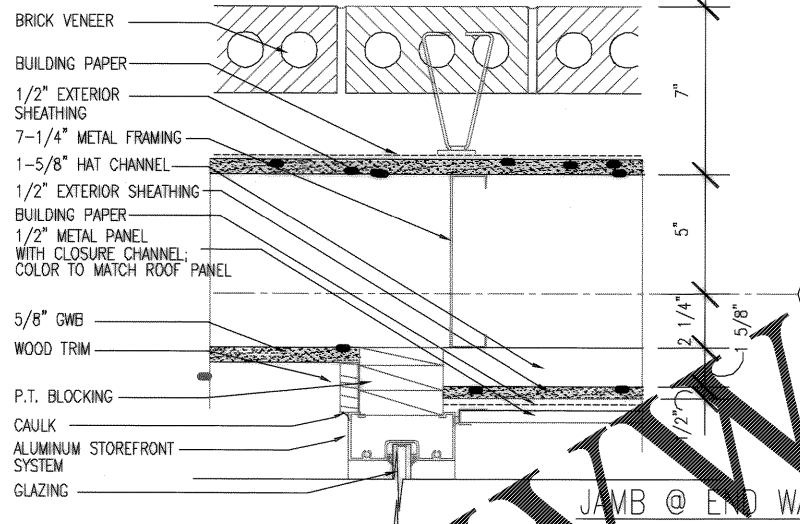
SILL

WINDOW DETAIL

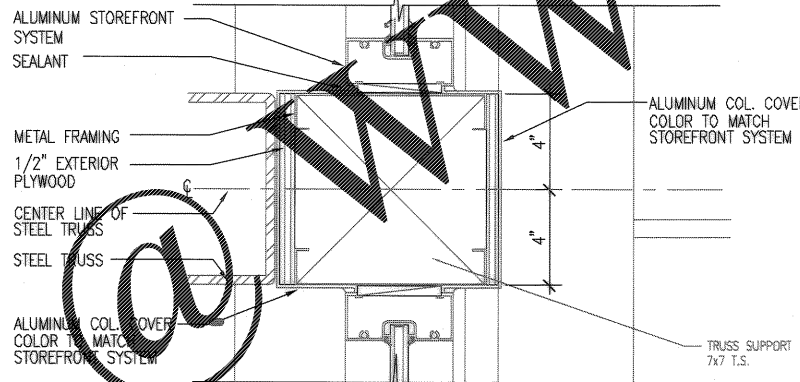
A-601 SCALE: 3" = 1'-0"



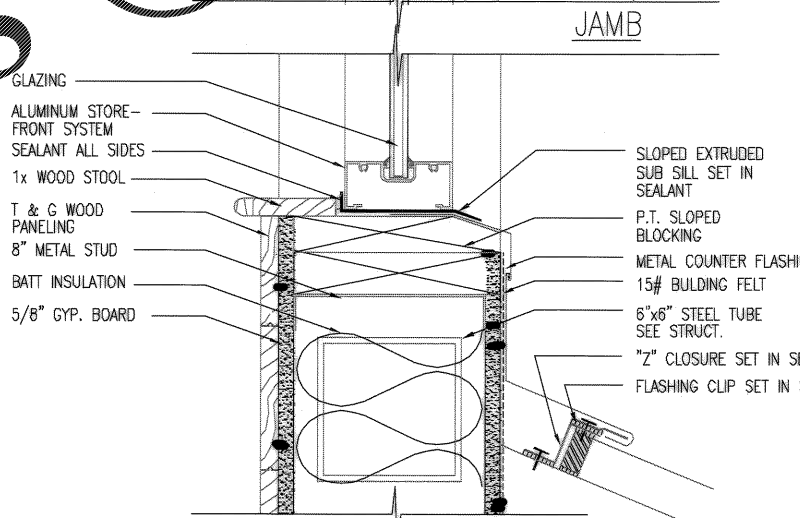
HEAD



JAMB @ END WALL



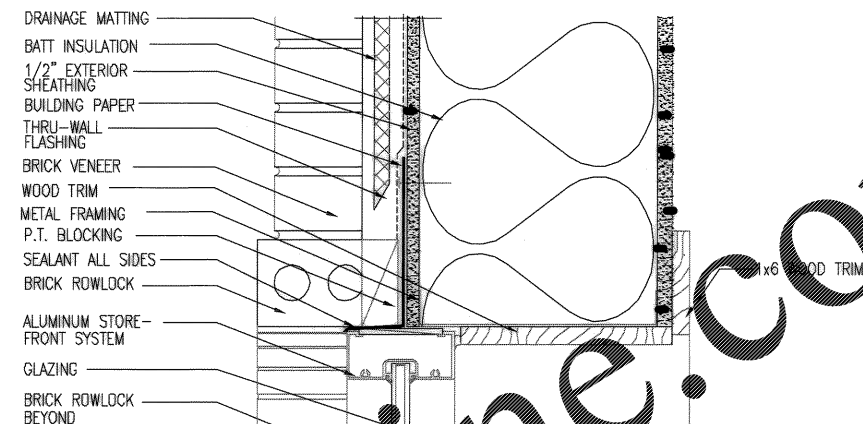
JAMB



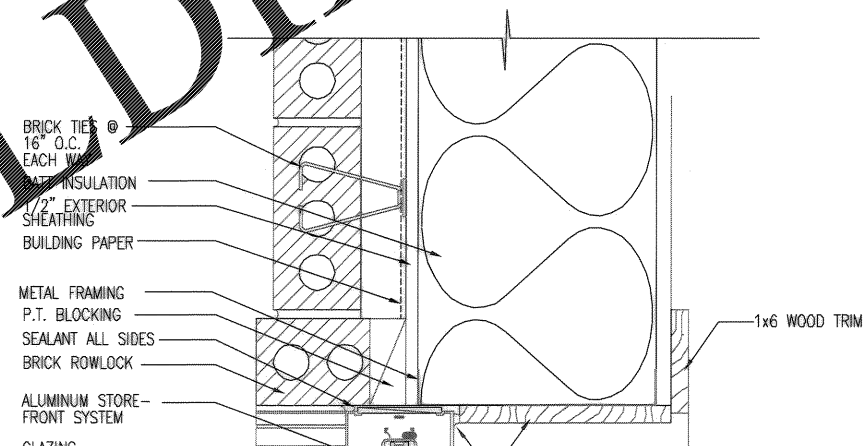
SILL

WINDOW DETAIL

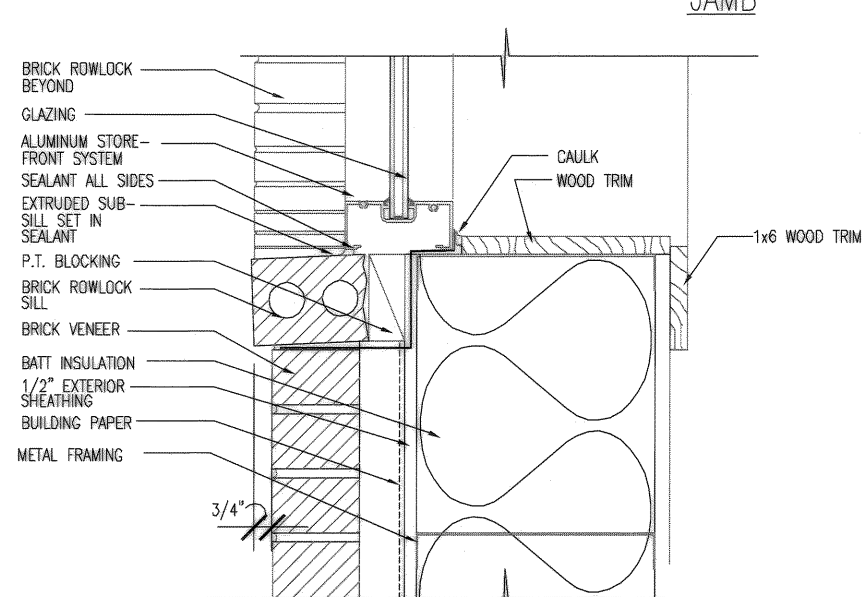
A-601 SCALE: 3" = 1'-0"



HEAD



JAMB



SILL

WINDOW DETAIL

A-601 SCALE: 3" = 1'-0"

Order Plans

CHARLESTON AIR FORCE BASE CHARLESTON, SOUTH CAROLINA

DINING FACILITY WINDOW DETAILS

APPROVED: *RD Davis PE* DATE: 5/10/04

RECORD DRAWING DATE: 9/27/04

CODE I.D. NO.: 80091

DRAWING SIZE: D

SPEC. NO. 06-98-0939

CONSTR. CONTR. NO. N62467-98-C-0939

NAVFAC DRAWING NO. 5357915

SHEET 90 OF 194

A-604

468-105