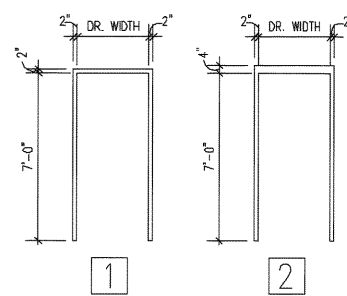
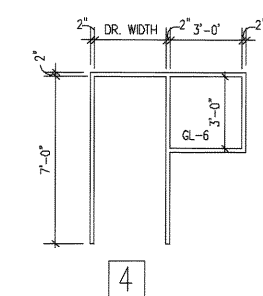
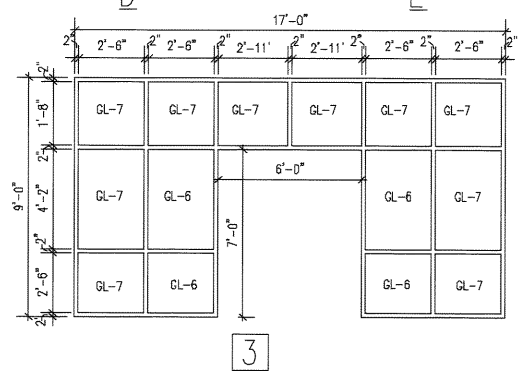


DOOR TYPES



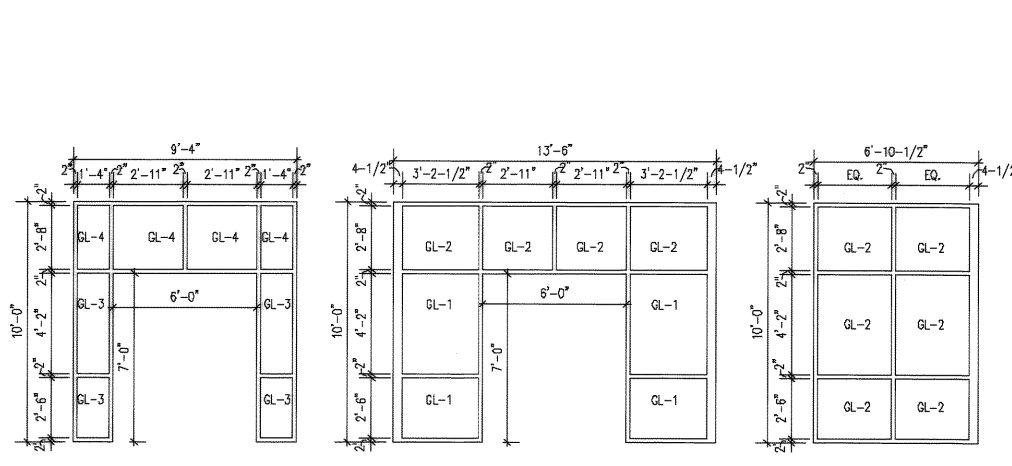
HOLLOW METAL FRAME TYPES



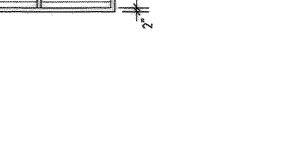
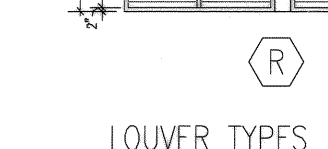
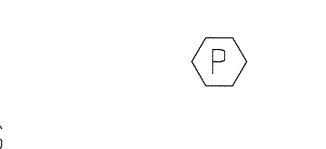
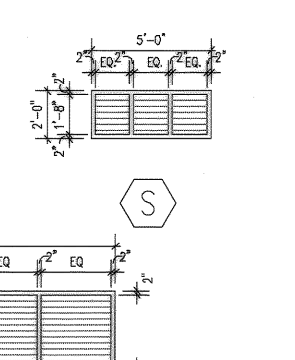
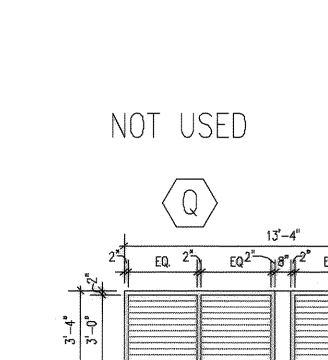
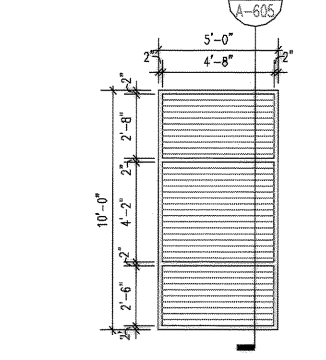
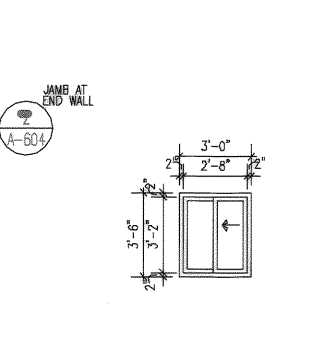
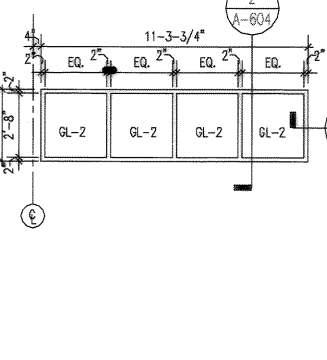
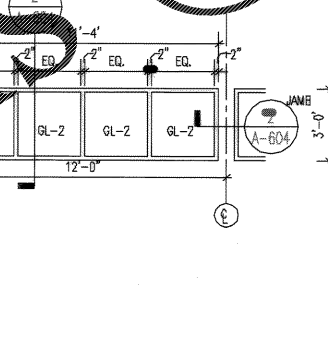
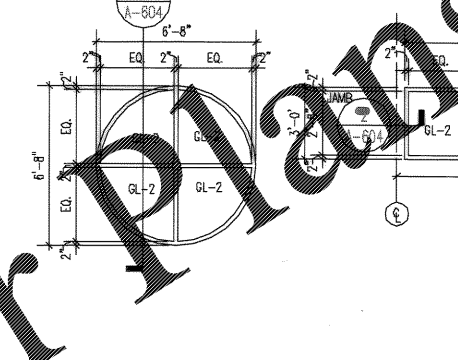
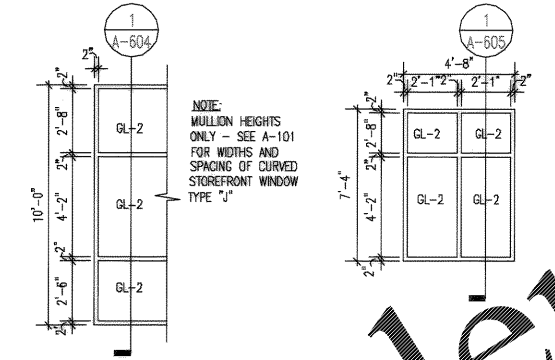
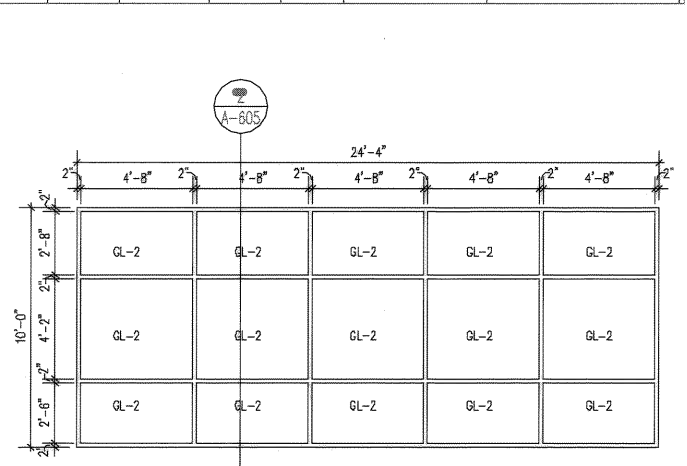
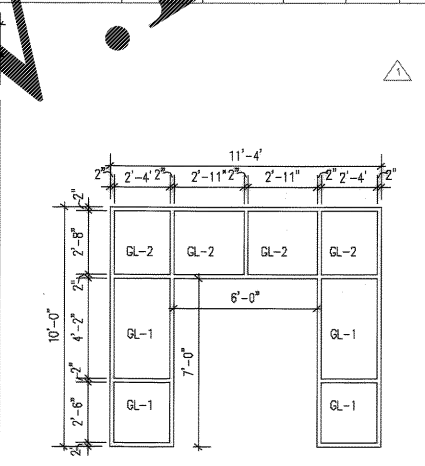
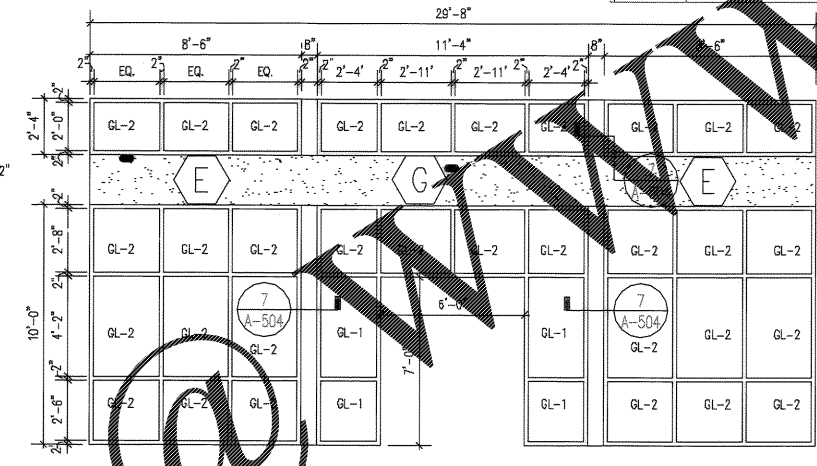
ABBREVIATIONS  
 ALUM - ALUMINUM  
 SCW - SOLID CORE WOOD  
 HM - HOLLOW METAL  
 ST - STAIN  
 PT - PAINT  
 FF - FACTORY FINISH  
 STL - STEEL

NOTES  
 SEE FINISH SCHEDULE  
 ON SHEET A-602 FOR  
 PAINT COLORS (PT-#)

| NUMBER | TYPE | MATL | WIDTH    | HEIGHT | THICK  | FIN  | U-CU | UL | HDW | FTYPE | FMATL | FFIN | DETAIL       | REMARKS               |
|--------|------|------|----------|--------|--------|------|------|----|-----|-------|-------|------|--------------|-----------------------|
| 101A   | A    | ALUM | PR3'-0"  | 7'-0"  | 1 3/4" | FF   | -    | -  | 1   | H     | ALUM  | FF   | 3/A-603      | GLASS TYPE GL-5       |
| 101B   | C    | SCW  | PR3'-0"  | 7'-0"  | 1 3/4" | ST-1 | -    | -  | 13  | -     | WD    | ST-1 | 0001-B       | GLASS TYPE GL-5       |
| 102A   | A    | ALUM | PR3'-0"  | 7'-0"  | 1 3/4" | FF   | -    | -  | 1   | F     | ALUM  | FF   | 5/A-503 SIM. | GLASS TYPE GL-5       |
| 102B   | C    | SCW  | PR3'-0"  | 7'-0"  | 1 3/4" | ST-1 | -    | -  | 12  | 3     | HM    | PT-2 | 6/A-603      | -                     |
| 103A   | A    | ALUM | PR3'-0"  | 7'-0"  | 1 3/4" | FF   | -    | -  | 1   | H     | ALUM  | FF   | 3/A-603      | GLASS TYPE GL-5       |
| 103B   | C    | SCW  | PR3'-0"  | 7'-0"  | 1 3/4" | ST-1 | -    | -  | 13  | -     | WD    | ST-1 | 0001-B       | -                     |
| 104    | A    | ALUM | PR3'-0"  | 7'-0"  | 1 3/4" | FF   | -    | -  | 2   | A     | ALUM  | FF   | 1/A-607 SIM  | GLASS TYPE GL-5       |
| 105    | -    | -    | 4'-0"    | 7'-0"  | -      | -    | -    | -  | -   | -     | ALUM  | PT-1 | 7/A-603 SIM  | CASED OPENING         |
| 106    | A    | ALUM | PR3'-0"  | 7'-0"  | 1 3/4" | FF   | -    | -  | 2   | A     | ALUM  | FF   | 3/A-603 SIM  | GLASS TYPE GL-5       |
| 107    | B    | SCW  | 3'-0"    | 7'-0"  | 1 3/4" | ST-1 | -    | -  | 3   | 1     | HM    | PT-1 | 4/A-603      | THRESHOLD 5/A-603     |
| 108    | B    | SCW  | 3'-0"    | 7'-0"  | 1 3/4" | ST-1 | -    | -  | 3   | 1     | HM    | PT-1 | 4/A-603      | THRESHOLD 5/A-603     |
| 109    | -    | -    | 3'-6"    | 7'-0"  | -      | -    | -    | -  | 3   | -     | WD    | ST-1 | 3/A-607 SIM. | CASED OPENING-NO DOOR |
| 110    | B    | SCW  | 3'-0"    | 7'-0"  | 1 3/4" | ST-1 | -    | -  | 4   | 1     | HM    | PT-1 | 4/A-603      | THRESHOLD 5/A-603     |
| 111    | -    | -    | -        | 7'-0"  | -      | -    | -    | -  | -   | -     | WD    | ST-1 | 3/A-607      | CASED OPENING-NO DOOR |
| 112A   | -    | -    | 4'-0"    | 7'-0"  | -      | -    | -    | -  | 1   | -     | HM    | PT-1 | 7/A-603 SIM. | CASED OPENING-NO DOOR |
| 112B   | -    | -    | 3'-6"    | 7'-0"  | -      | -    | -    | -  | 1   | -     | HM    | PT-1 | 7/A-603 SIM. | CASED OPENING-NO DOOR |
| 113    | F    | HM   | PR1'-10" | 7'-0"  | 1 3/4" | PT-1 | -    | -  | 11  | 1     | HM    | PT-1 | 7/A-603 SIM. | CASED OPENING         |
| 114    | -    | -    | -        | 7'-0"  | -      | -    | -    | -  | -   | -     | WD    | ST-1 | 3/A-607      | CASED OPENING-NO DOOR |
| 115    | B    | HM   | 3'-0"    | 7'-0"  | 1 3/4" | PT-1 | -    | -  | 8   | 1     | HM    | PT-1 | 4/A-603      | THRESHOLD 5/A-603     |
| 116    | B    | HM   | PR3'-0"  | 7'-0"  | 1 3/4" | PT-4 | -    | -  | 7   | 2     | HM    | PT-4 | 1/A-603      | -                     |
| 117    | B    | HM   | 3'-0"    | 7'-0"  | 1 3/4" | PT-1 | -    | -  | 10  | 1     | HM    | PT-1 | 4/A-603      | -                     |
| 119A   | F    | HM   | PR1'-10" | 7'-0"  | 1 3/4" | PT-1 | -    | -  | 11  | 1     | HM    | PT-1 | 7/A-603      | -                     |
| 119B   | F    | HM   | PR1'-10" | 7'-0"  | 1 3/4" | PT-1 | -    | -  | 11  | 1     | HM    | PT-1 | 7/A-603      | -                     |
| 119C   | B    | -    | 3'-0"    | 7'-0"  | -      | -    | -    | -  | -   | -     | HM    | PT-1 | 7/A-603 SIM. | CASED OPENING-NO DOOR |
| 120    | B    | HM   | 3'-6"    | 7'-0"  | 1 3/4" | PT-1 | -    | -  | 5   | 1     | HM    | PT-1 | 4/A-603      | -                     |
| 121    | B    | HM   | 3'-0"    | 7'-0"  | 1 3/4" | PT-1 | -    | -  | 8   | 1     | HM    | PT-1 | 4/A-603      | THRESHOLD 5/A-603     |
| 122    | B    | HM   | 3'-0"    | 7'-0"  | 1 3/4" | PT-1 | -    | -  | 8   | 1     | HM    | PT-1 | 4/A-603      | THRESHOLD 5/A-603     |
| 123    | D    | HM   | 3'-0"    | 7'-0"  | 1 3/4" | PT-1 | -    | -  | 4   | -     | HM    | PT-1 | 4/A-603      | -                     |
| 124    | D    | HM   | 3'-0"    | 7'-0"  | 1 3/4" | PT-1 | -    | -  | 3   | -     | HM    | PT-1 | 4/A-603      | -                     |
| 126    | B    | HM   | 3'-0"    | 7'-0"  | 1 3/4" | PT-1 | -    | -  | 2   | -     | HM    | PT-4 | 1/A-603      | -                     |
| 127    | B    | HM   | 3'-0"    | 7'-0"  | 1 3/4" | PT-1 | -    | -  | 1   | -     | HM    | PT-1 | 4/A-603      | -                     |
| 128    | B    | HM   | 3'-0"    | 7'-0"  | 1 3/4" | PT-1 | -    | -  | 4   | -     | HM    | PT-1 | 4/A-603      | -                     |
| 129    | B    | HM   | 3'-0"    | 7'-0"  | 1 3/4" | PT-1 | -    | -  | 4   | -     | HM    | PT-1 | 4/A-603      | -                     |
| 130A   | B    | HM   | 3'-0"    | 7'-0"  | 1 3/4" | PT-1 | -    | -  | 5   | 1     | HM    | PT-1 | 4/A-603      | -                     |
| 130B   | B    | HM   | PR2'-6"  | 7'-0"  | 1 3/4" | PT-4 | -    | -  | 7   | 2     | HM    | PT-4 | 1/A-603      | -                     |
| 131    | B    | HM   | 3'-0"    | 7'-0"  | 1 3/4" | PT-4 | -    | -  | 6   | 2     | HM    | PT-4 | 1/A-603      | -                     |
| 133    | B    | HM   | 3'-0"    | 7'-0"  | 1 3/4" | PT-4 | -    | -  | 9   | 2     | HM    | PT-4 | 1/A-603      | -                     |
| 134    | A    | ALUM | PR3'-0"  | 7'-0"  | 1 3/4" | FF   | -    | -  | 1   | B     | ALUM  | FF   | 2/A-607      | GLASS TYPE GL-5       |
| 135    | A    | ALUM | PR3'-0"  | 7'-0"  | 1 3/4" | FF   | -    | -  | 1   | B     | ALUM  | FF   | 2/A-607      | GLASS TYPE GL-5       |
| C100   | E    | STL  | 10'-0"   | 7'-0"  | -      | -    | -    | -  | -   | -     | STL   | PT-4 | 2/A-606      | -                     |
| C101   | B    | HM   | 3'-0"    | 7'-0"  | 1 3/4" | PT-4 | -    | -  | 6   | 2     | HM    | PT-4 | 2/A-603      | -                     |
| C102   | B    | HM   | 3'-0"    | 7'-0"  | 1 3/4" | PT-4 | -    | -  | 6   | 2     | HM    | PT-4 | 2/A-603      | -                     |



ALUMINUM STOREFRONT FRAME TYPES



WINDOW TYPES

LOUVER TYPES

SEE SPECIFICATIONS  
 SECTION 08800 FOR  
 GLASS TYPES (GL-#)

RECORD DRAWING DATE: 9/27/04  
 CODE I.D. NO.: 80091  
 DRAWING SIZE: D  
 SPEC. NO. 05-98-0939  
 CONSTR. CONTR. NO.: NS2467-98-C-0939  
 NAVFAC DRAWING NO.: 5357912  
 SHEET 87 OF 194

APPROVED: [Signature] DATE: 5/1/04  
 ED FOR COMMANDER, NAVFAC

CHARLESTON AIR FORCE BASE  
 CHARLESTON, SOUTH CAROLINA  
 DINING FACILITY  
 DOOR & FRAME TYPES

Naval Facilities Engineering Command  
 Southern Division  
 Charleston, South Carolina

STATE OF SOUTH CAROLINA  
 CLK/BOEHM & ASSOCIATES, INC.  
 CHARLESTON  
 NO. B-80006  
 REGISTERED ARCHITECT

Rev. Description Date Apprd. Prepr By  
 1 DRWG. CORRECTED TO AS-BUILT 4/11/04 R/W/ML  
 2 4/11/04 R/W/ML  
 3 4/11/04 R/W/ML

DRIVING REVISIONS  
 CLK/Boehm & Associates, Inc.  
 247 Meeting Street, Suite 100  
 Charleston, S.C. (803) 577-6377  
 CLK/BOEHM  
 DR. JST. CH ENGR  
 SUBMITTED BY (FIRM MEMBER-TITLE): CLK/BOEHM  
 DATE: 9-25-04  
 REC. PRES. 9-25-04

Order Plans