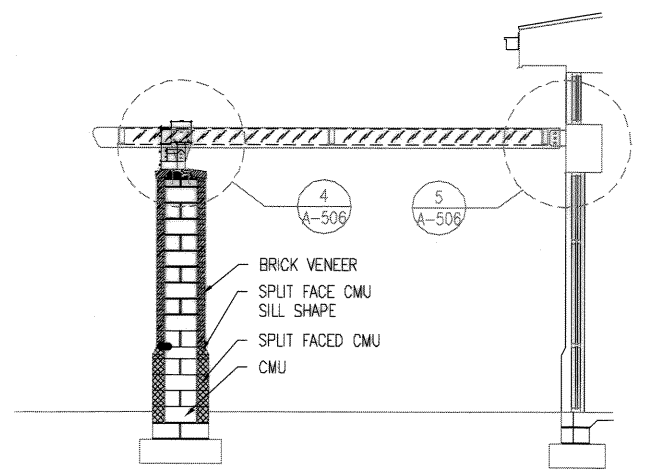
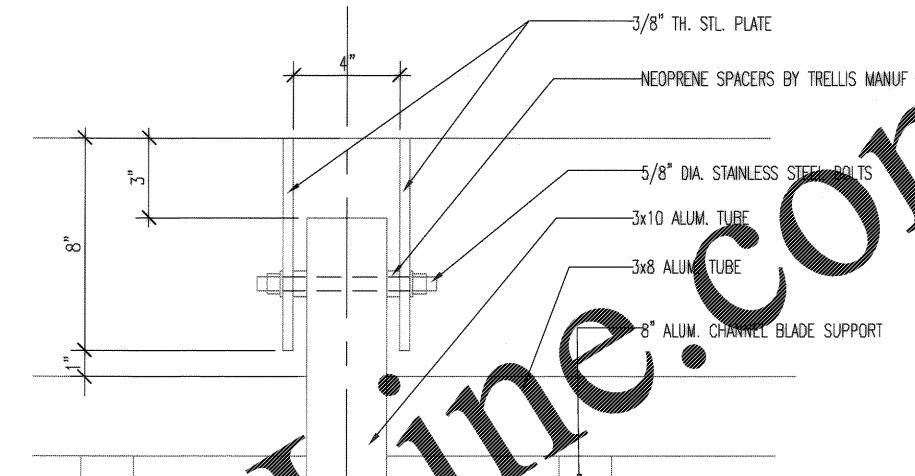


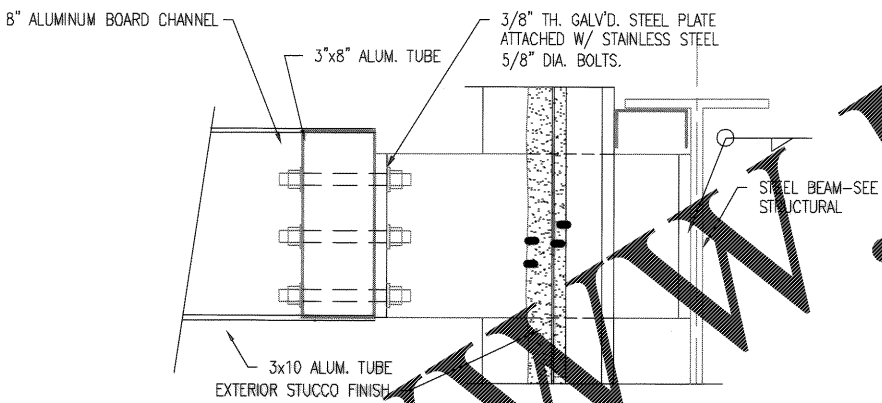
1 ENLARGED TRELLIS PLAN
SCALE: 1/4" = 1'-0"



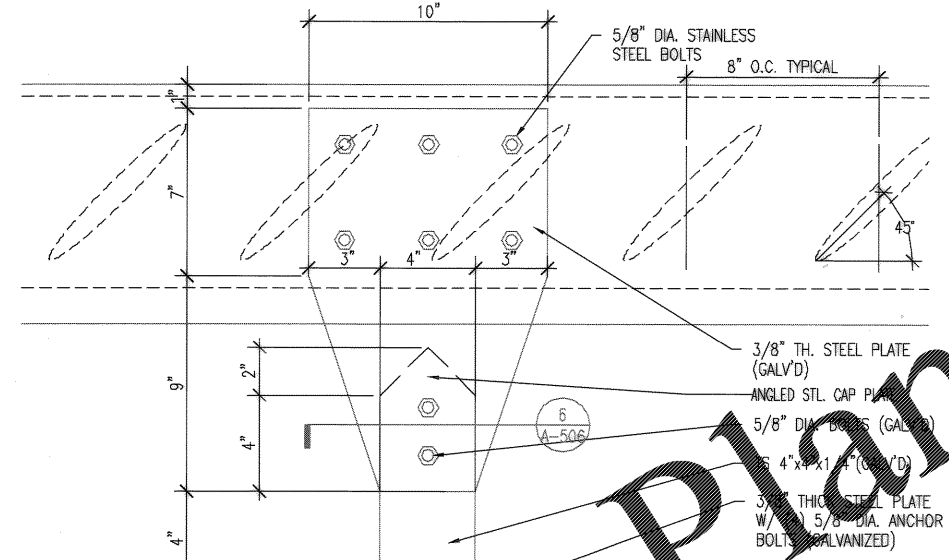
2 ENLARGED TRELLIS PLAN
SCALE: 1/4" = 1'-0"



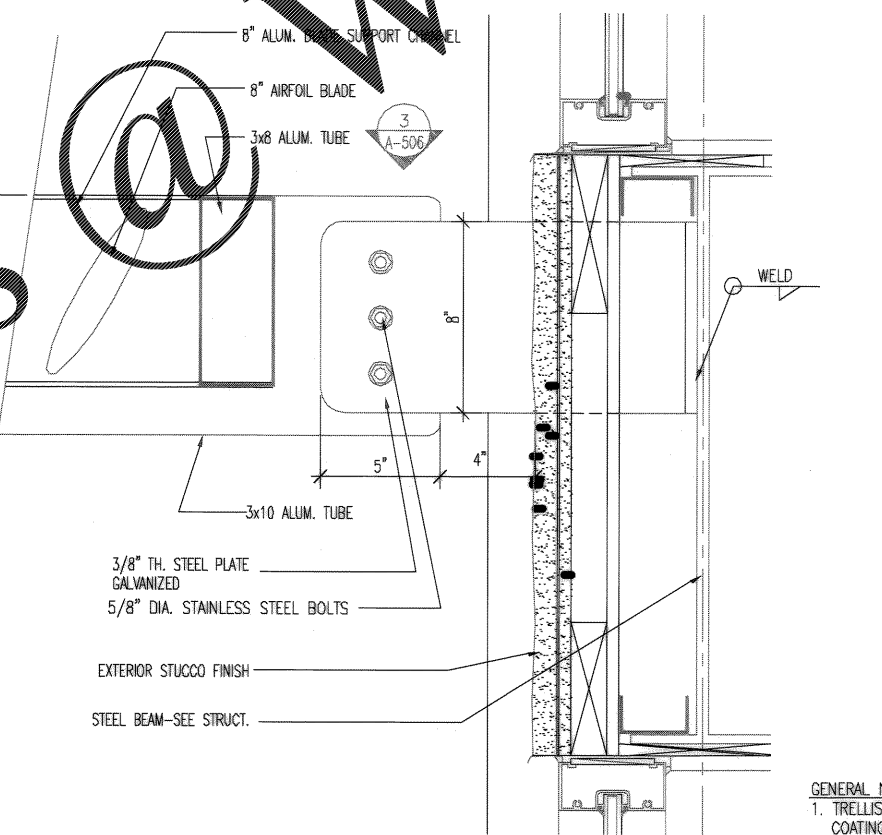
6 TRELLIS SUPPORT PLAN DETAIL
SCALE: 1'-0"



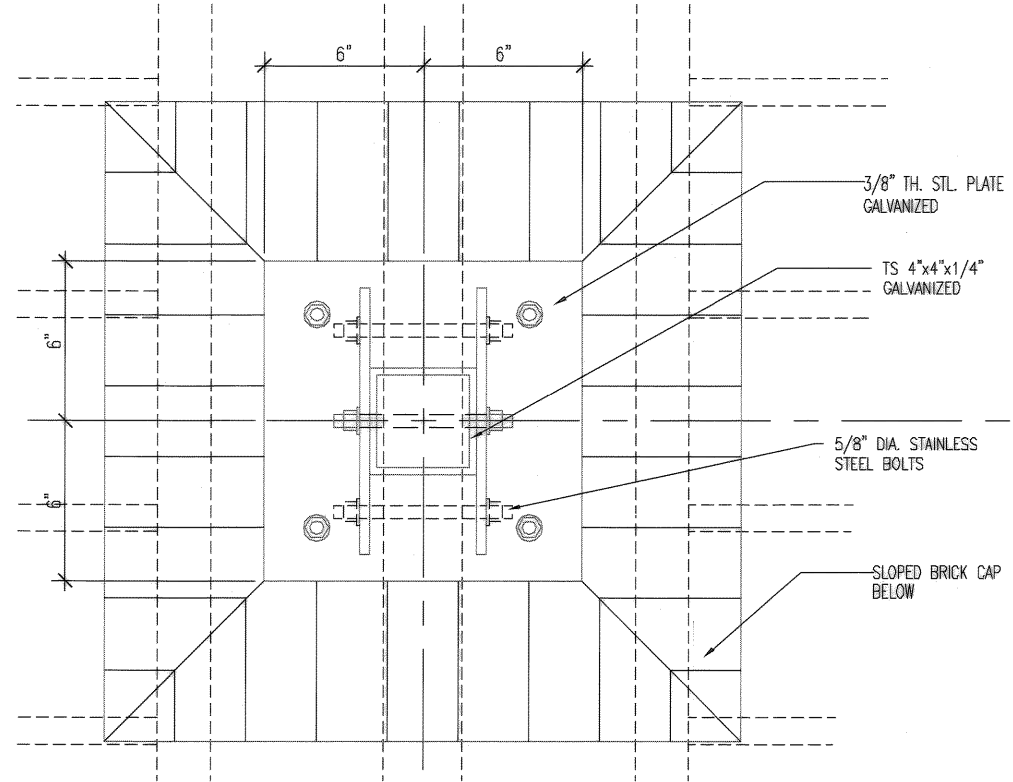
7 TRELLIS SUPPORT DETAIL
SCALE: 3" = 1'-0"



4 TRELLIS SUPPORT DETAIL
SCALE: 3" = 1'-0"

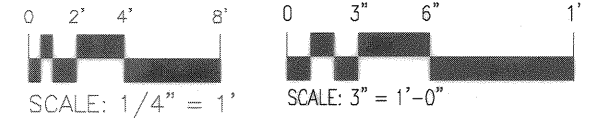


5 TRELLIS SUPPORT DETAIL
SCALE: 3" = 1'-0"



6 TRELLIS SUPPORT PLAN DETAIL
SCALE: 3" = 1'-0"

GENERAL NOTES
 1. TRELLIS MANUFACTURER SHALL PROVIDE SPACERS, WASHERS, COATINGS, ETC. AS REQUIRED TO PREVENT CONTACT BETWEEN DISSIMILAR METALS.
 2. ALL ALUMINUM SHALL HAVE A WHITE KYNAR FINISH. ALL OTHER METALS SHALL BE PAINTED WHITE TO MATCH ALUMINUM.



Order Plans

DRAWING REVISIONS Description Rev. / AS-BUILT DRWG. NO CORRECTIONS Date Appr. / <i>MD</i> Prepr. / <i>MD</i> Date Appr. / <i>MD</i>	CHARLESTON AIR FORCE BASE CHARLESTON, SOUTH CAROLINA DINING FACILITY TRELLIS DETAILS	Glick/Boehm & Associates, Inc. 247 Meeting Street Charleston, S.C. 29401 (803) 577-6377 DRN BOEHM BR JCS BY SUBMITTED BY (FIRM NUMBER-TITLE): DATE: 5/1/04 WEA. RES. P-22-90	APPROVED: <i>RD</i> <i>Miss PE</i> DATE: 5/1/04 EPD FOR COMMANDER, NAVFAC Southern Division Charleston, South Carolina Naval Facilities Engineering Command	STATE OF SOUTH CAROLINA Glick/Boehm & Associates, Inc. CHARLESTON NO. B-80006 REGISTERED ARCHITECT	RECORD DRAWING DATE: 9/27/04 CODE I.D. NO.: 80091 DRAWING SIZE: D SPEC. NO. 06-98-0939 CONSTR. CONTR. NO. N62467-98-C-0939 NAVFAC DRAWING NO. 5357911 SHEET 86 OF 194
--	---	---	---	--	--