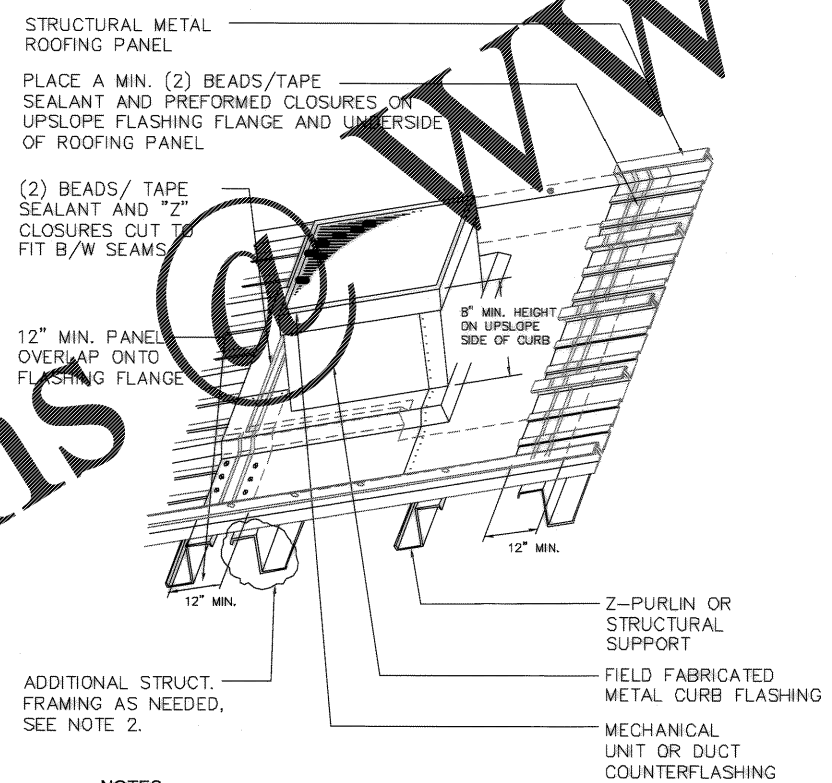


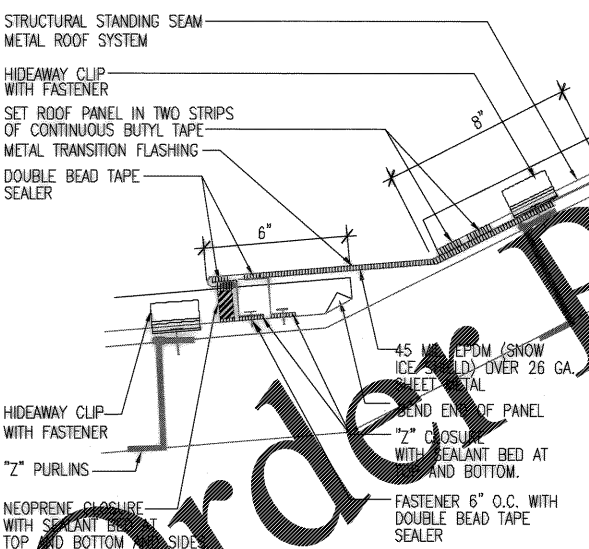
1 VALLEY DETAIL
A-104 SCALE: 1-1/2" = 1'-0"

2 RIDGE DETAIL
A-104 SCALE: 1-1/2" = 1'-0"



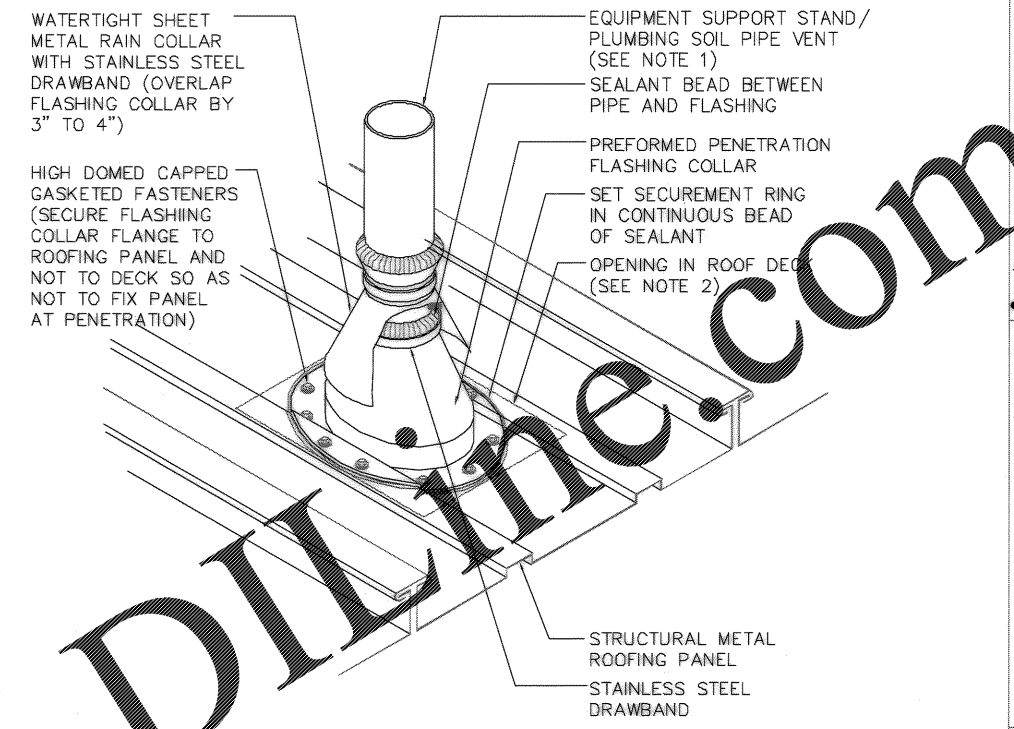
- NOTES:
- CURB DESIGN MUST BE WATERTIGHT, WITH EQUIPMENT HAVING A WATERPROOF INTERLOCK OR SUFFICIENT COUNTERFLASHING OVERLAP WITH THE CURB.
 - CURB AND ASSOCIATED FLASHING SHALL BE SUPPORTED AND SECURED TO TRANSFER LOAD TO THE BUILDING'S STRUCTURAL ASSEMBLY.
 - INSULATION AND VAPOR RETARDER NOT SHOWN FOR CLARITY.

5 CURB DETAIL
A-104 SCALE: 3" = 1'-0"



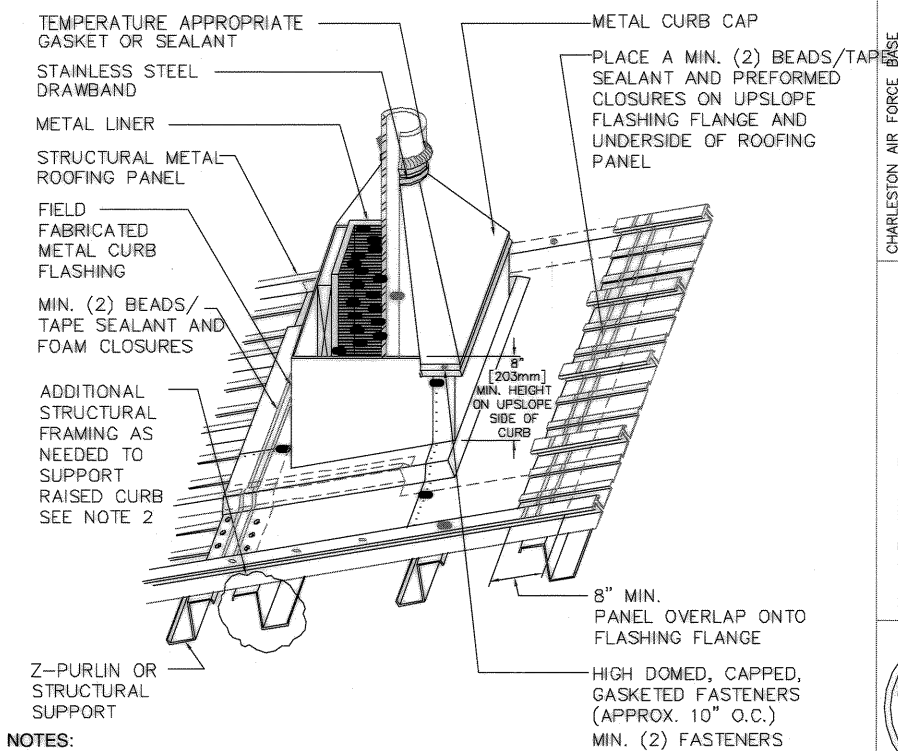
4 PITCH CHANGE DETAIL
A-104 SCALE: 3" = 1'-0"

* A-104, A-303, A-304, A-305



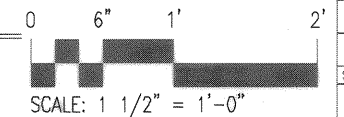
- NOTES:
- PLACEMENT OF PENETRATION SHOULD ELIMINATE THE POSSIBILITY OF FLASHING FLANGES INTERFERING WITH PANEL SEAMS.
 - CUT OVERSIZE HOLE IN ROOF DECK TO ALLOW FOR THERMAL MOVEMENT.
 - VENT STACKS AND OTHER PIPES SHALL BE A MINIMUM OF 12 INCHES OF CLEARANCE ON ALL SIDES FROM WALLS, CURBS, AND OTHER PROJECTIONS TO FACILITATE PROPER FLASHING.

3 V.T.R. DETAIL
A-104 SCALE: N.T.S.



- NOTES:
- CURB DESIGN MUST BE WATERTIGHT.
 - CURB SHOULD BE SUPPORTED, AS NECESSARY, TO TRANSFER LOAD TO THE BUILDINGS STRUCTURAL ASSEMBLY.
 - INSULATION AND VAPOR RETARDER NOT SHOWN FOR CLARITY.

6 BOILER FLUE DETAIL
A-104 SCALE: N.T.S.



Glick/Boehm & Associates, Inc.
 247 Meeting House Square 100
 Charleston, S.C. 29401
 (803) 577-6377
 FAX: (803) 577-6378
 DATE: 9-23-88
 SUBMITTED BY (FIRM MEMBER/TITLE):
 TECHNICAL BRANCH:

DRAWING REVISIONS
 Description: NO CORRECTIONS
 Date: 9/16/88
 App'd: JST
 Prepped: JST
 Rev. 1 AS-BUILT DRWG. NO CORRECTIONS

CHARLESTON, SOUTH CAROLINA
 DINING FACILITY
 ROOF DETAILS
 APPROVED: [Signature] DATE: 9/16/88
 BTD FOR COMMANDER, NAVFAC

Naval Facilities Engineering Command
 Southern Division
 Charleston, South Carolina

STATE OF SOUTH CAROLINA
 Glick/Boehm & Associates, Inc.
 CHARLESTON
 NO. B-8006
 REGISTERED ARCHITECT

RECORD DRAWING DATE: 9/27/84
 CODE I.D. NO.: 80091
 DRAWING SIZE: D
 SPEC. NO. 08-98-0939
 CONSTR. CONTR. NO. N62467-98-C-0939
 NAVFAC DRAWING NO. 5357910
 SHEET 85 OF 194
 A-505