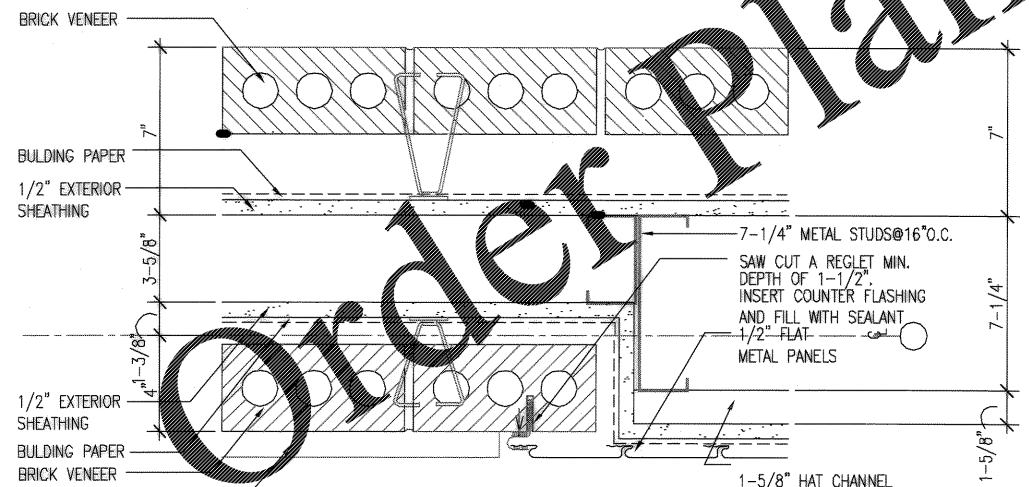


1 PLAN DETAIL
A-102 SCALE: 1-1/2" = 1'-0"

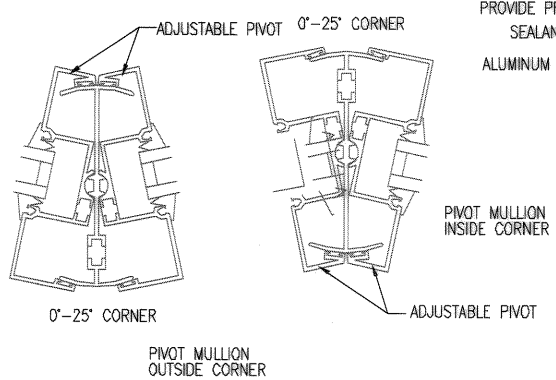
2 PLAN DETAIL
A-102 SCALE: 1-1/2" = 1'-0"

3 PLAN DETAIL
A-102 SCALE: 1-1/2" = 1'-0"

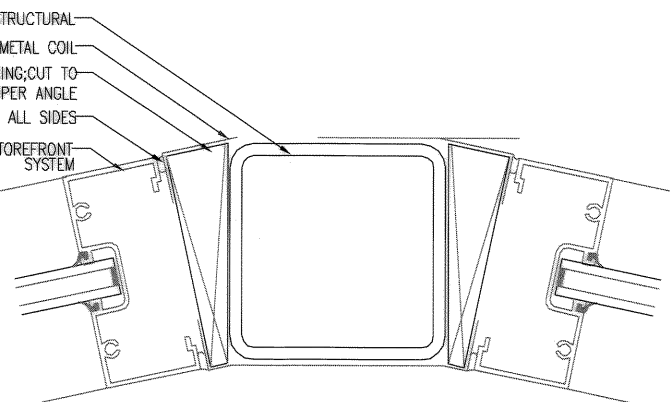
4 PLAN DETAIL
A-102 SCALE: 1-1/2" = 1'-0"



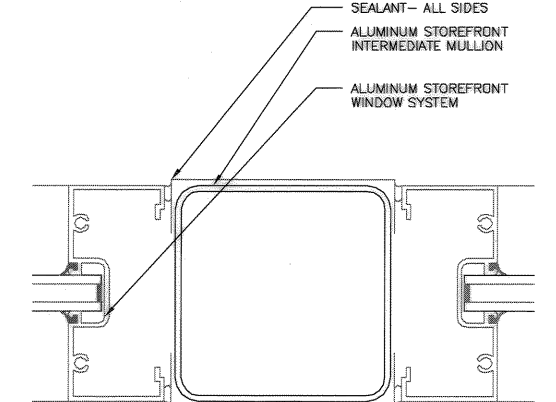
5 PLAN DETAIL
A-501 SCALE: 3" = 1'-0"



6 ADJUSTABLE PIVOT MULLION DETAIL
A-102 SCALE: HALF SIZE



7 WINDOW MULLION DETAIL
A-102 SCALE: HALF SIZE



8 WINDOW MULLION DETAIL
A-102 SCALE: HALF SIZE

DRAWING REVISIONS Description Rev. 7 DRWG. CORRECTED TO AS-BUILT	Date 10/10/14	Prepped By KAW SHIAH	Checked By BRUNO DEHA	Project BRUNO DEHA	Designer BRUNO DEHA	Date 10/10/14	Title PLAN DETAILS
	Submitted By GUYTON S. BOEHM, Inc. 247 Meeting Street Charleston, S.C. 29401 (803) 577-6377			Designer BRUNO DEHA		Date 10/10/14	
Approved GUYTON S. BOEHM, PE DATE: 5/11/14				Approved BRUNO DEHA		Approved GUYTON S. BOEHM, PE DATE: 5/11/14	
CHARLESTON AIR FORCE BASE CHARLESTON, SOUTH CAROLINA				DINING FACILITY			
Naval Facilities Engineering Command Southern Division Charleston, South Carolina				PLAN DETAILS			
RECORD DRAWING DATE 9/27/14				CODE I.D. NO. 80091			
DRAWING SIZE: D				SPEC. NO. 06-98-0939			
CONSTR. CONTR. NO. N62467-98-C-0939				NAVFAC DRAWING NO. 5357909			
SHEET 84 OF 194				A-504			

Order Plans @ WWW.WALDORF-DIEME.COM