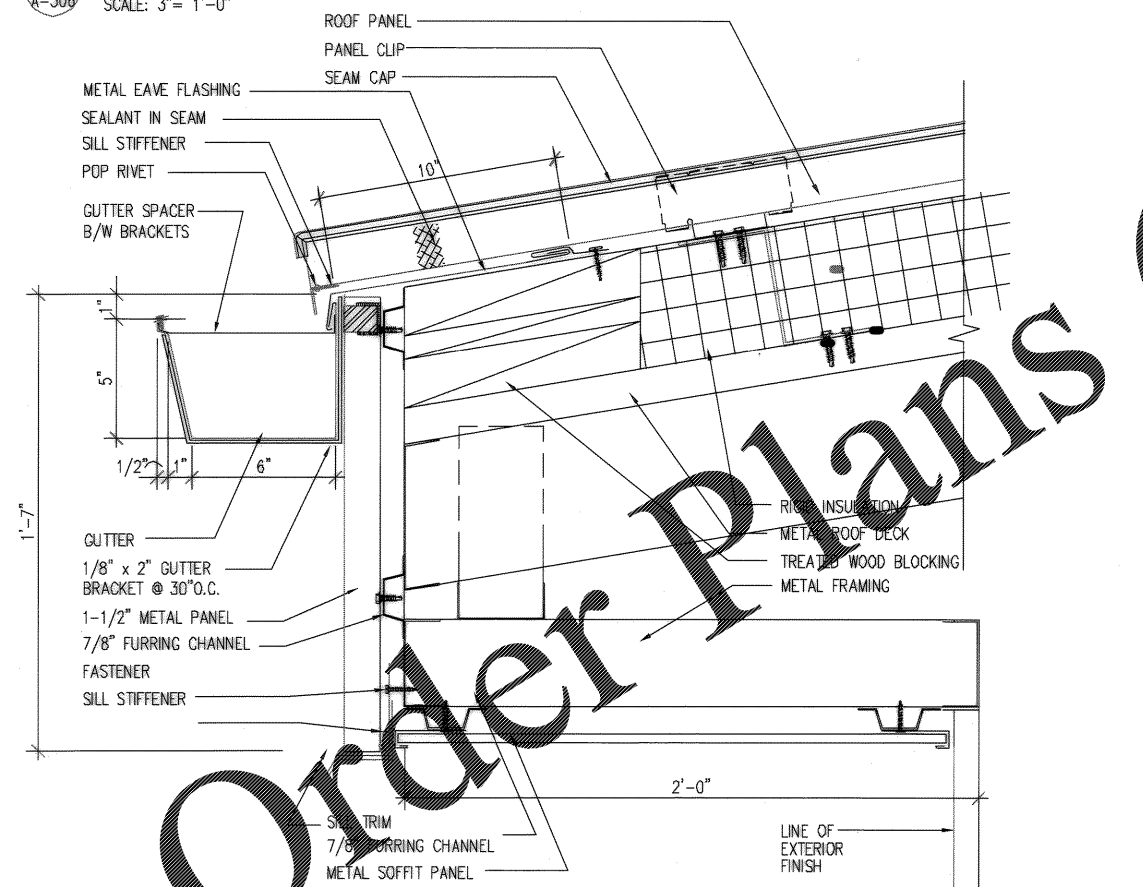
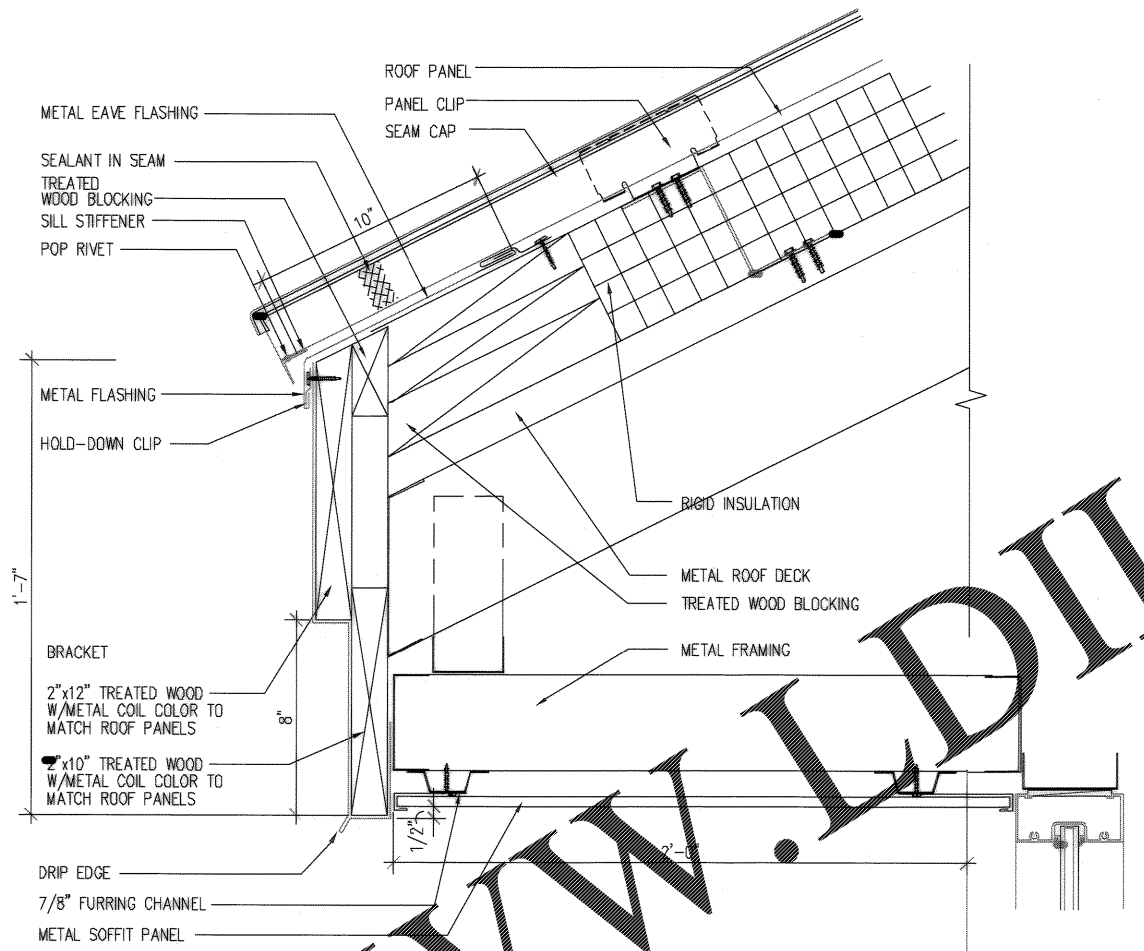


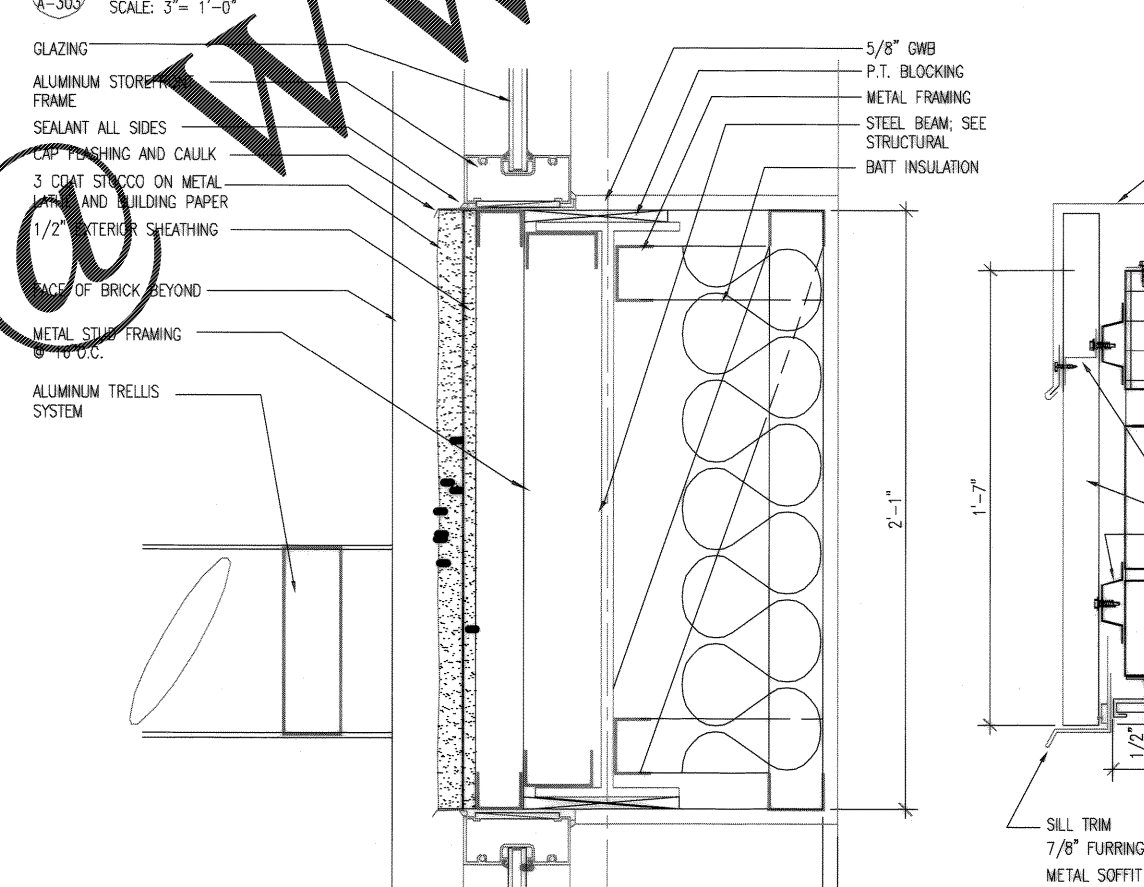
1 EAVE DETAIL
A-306 SCALE: 3" = 1'-0"



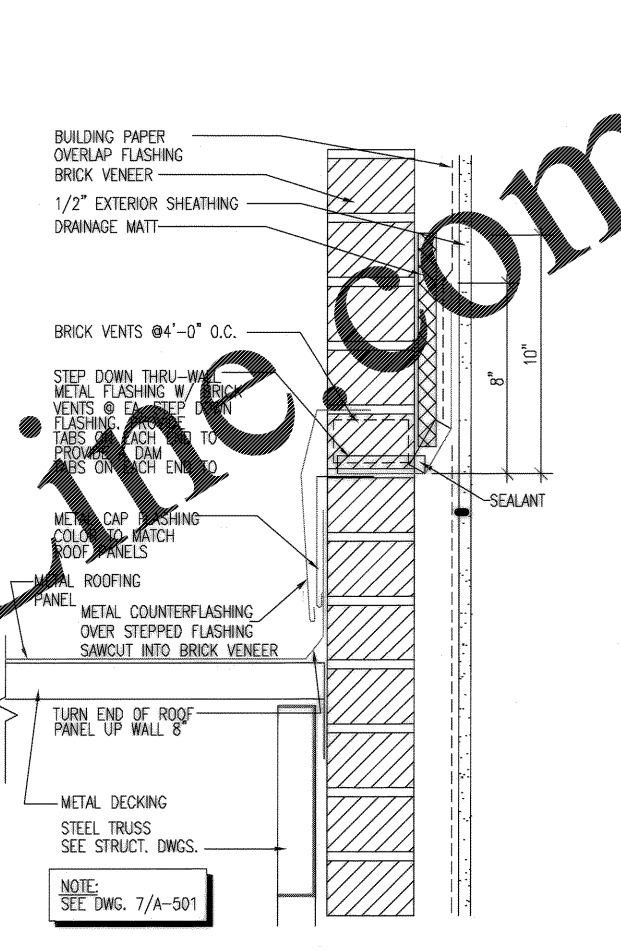
4 EAVE DETAIL
* SCALE: 3" = 1'-0"
* = A-303, A-304, A-305



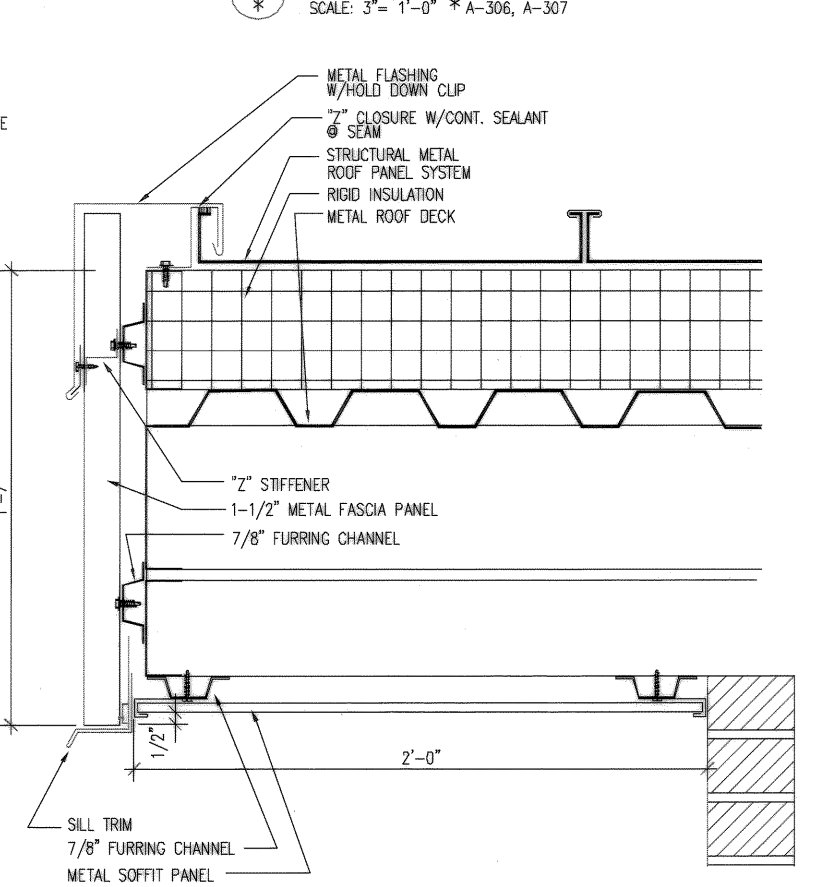
2 EAVE DETAIL
A-303 SCALE: 3" = 1'-0"



5 TRELLIS DETAIL
A-305 SCALE: 3" = 1'-0"



3 FLASHING DETAIL
* SCALE: 3" = 1'-0" * A-306, A-307



6 RAKE DETAIL
A-104 SCALE: 3" = 1'-0"

Order Plans

WWW.LDILLINE.COM

DINING FACILITY SECTION DETAILS

CHARLESTON AIR FORCE BASE CHARLESTON, SOUTH CAROLINA

APPROVED: *BD* Plans 2c DATE: 5/11/04 EFD FOR COMMANDER, NAVFAC

RECORD DRAWING DATE: 9/27/04
 CODE I.D. NO.: 80091
 DRAWING SIZE: D
 SPEC. NO. 05-98-0939
 CONSTR. CONTR. NO. N62467-98-C-0939
 NAVFAC DRAWING NO. 5357908
 SHEET 83 OF 194

A-503

468-112