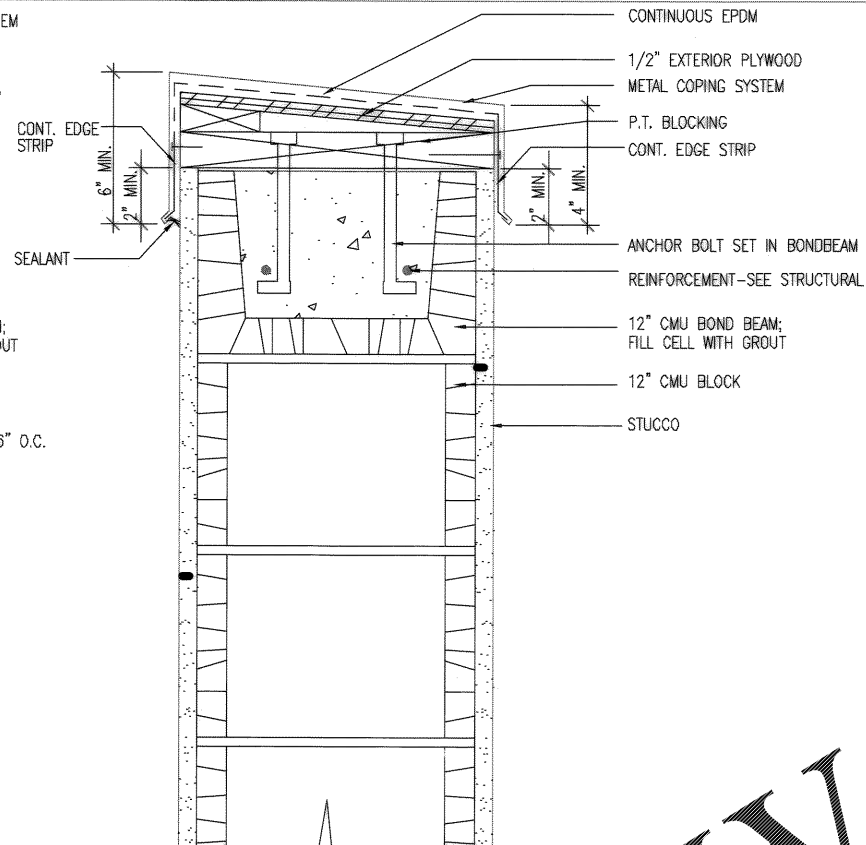
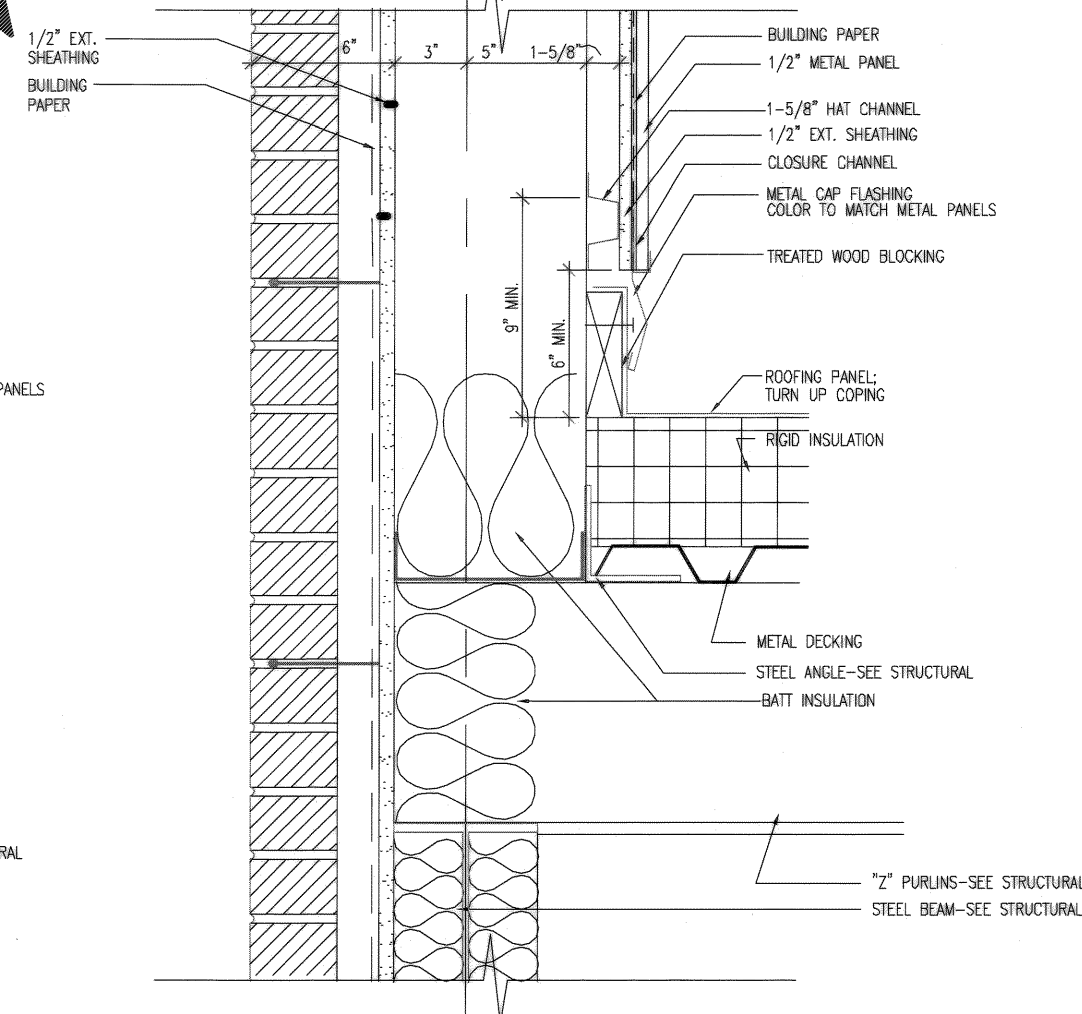
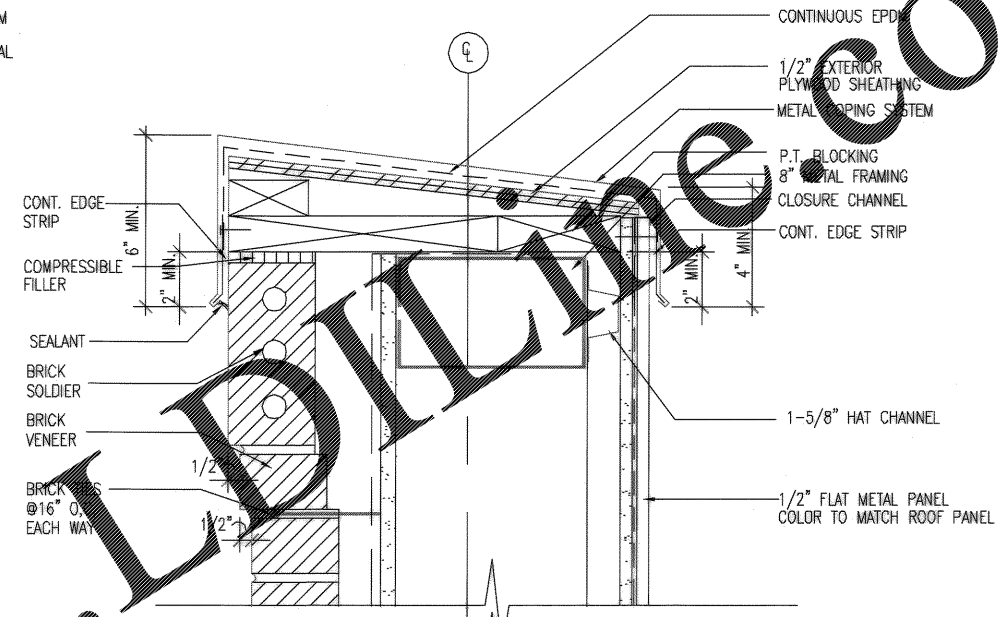


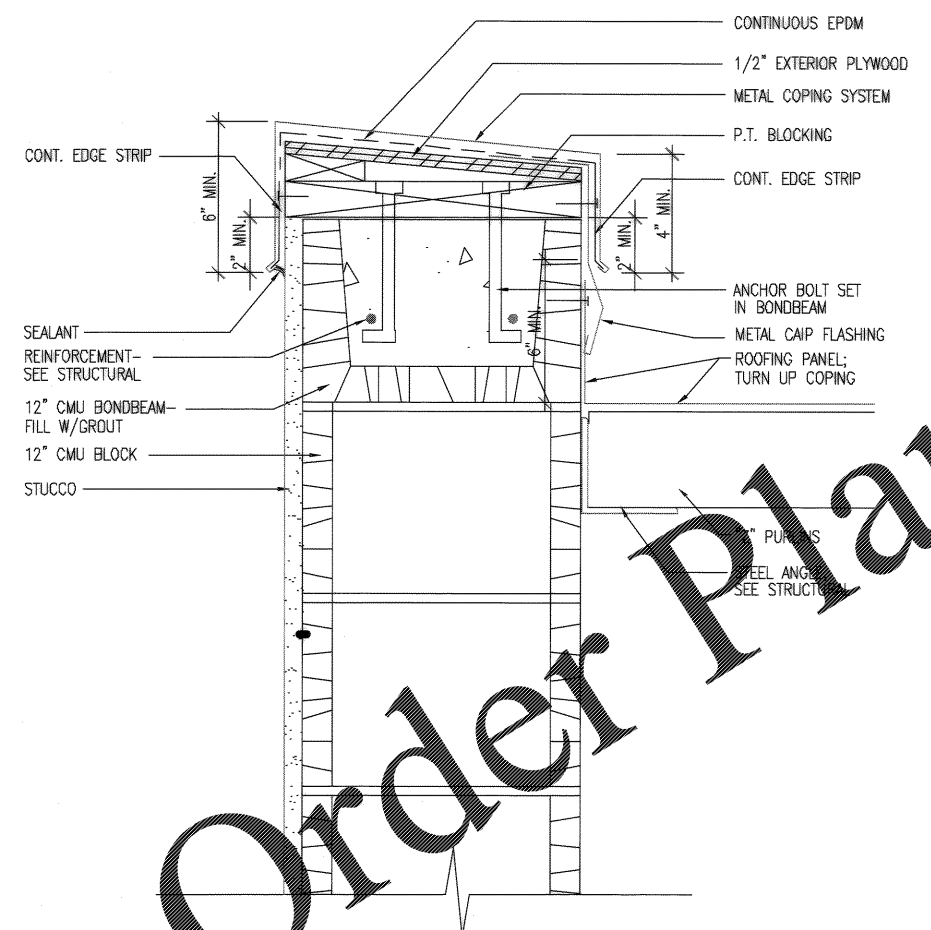
1 PARAPET DETAIL
A-305 SCALE: 3" = 1'-0"



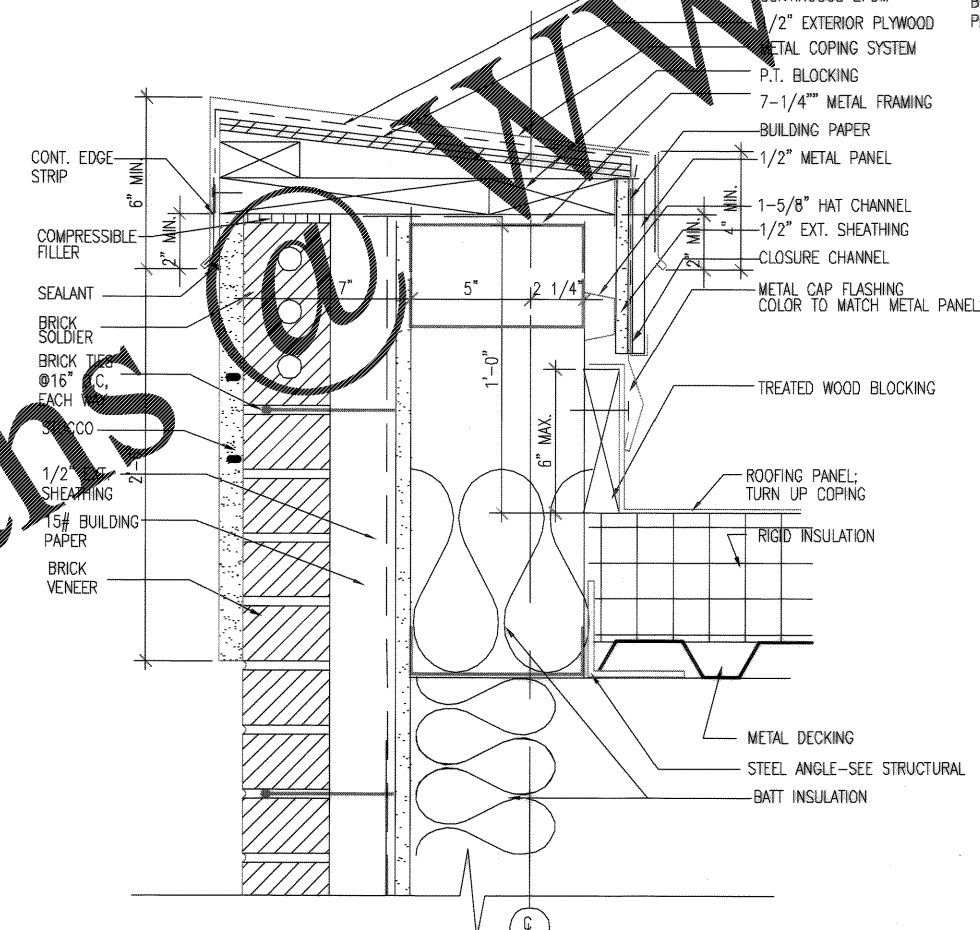
2 PARAPET DETAIL
305 SCALE: 3" = 1'-0"



5 PARAPET DETAIL
305 SCALE: 3" = 1'-0"



3 PARAPET DETAIL
305 SCALE: 3" = 1'-0"



4 PARAPET DETAIL
305 SCALE: 3" = 1'-0"

Order Plans @ WWW.LDLINE.COM

DRAWING REVISIONS Description: DRWG. CORRECTED TO AS-BUILT Date: 11/14 Prepped By: JST Approved: BOEHM		Glick/Boehm & Associates, Inc. 247 Meeting Street, 100 Charleston, S.C. 29401 (803) 577-6377 CHK: MELLIN DR: BOEHM JST: CH ENR DATE: 9-23-98 SUBMITTED BY (FIRM MEMBER-TITLE): TECHNICAL BRANCH:
CHARLESTON AIR FORCE BASE DINING FACILITY SECTION DETAILS		APPROVED: [Signature] DATE: 5/16/04 ETD FOR COMMANDER, NAVFAC
Naval Facilities Engineering Command Southern Division Charleston, South Carolina		STATE OF SOUTH CAROLINA Glick/Boehm & Associates, Inc. CHARLESTON NO. B-80006 REGISTERED ARCHITECT
RECORD DRAWING DATE: 9/27/04 CODE I.D. NO.: 80091 DRAWING SIZE: D SPEC. NO.: 06-98-0939 CONSTR. CONTR. NO.: NB2467-9B-C-0939 NAVFAC DRAWING NO.: 5357907 SHEET: 82 OF 194		A-502

NOTE:
SEE 5/A-501 FOR TYPICAL
PARAPET JOINT DETAIL

1 MOVE THE STUD WALL ON COLUMN LINES 1 AND 26 ONE INCH TO THE SOUTH AND NORTH. CHANGE METAL FRAMING TO 8" W/ 1/2" WALL SHEATHING.