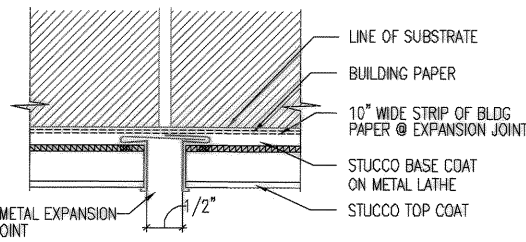


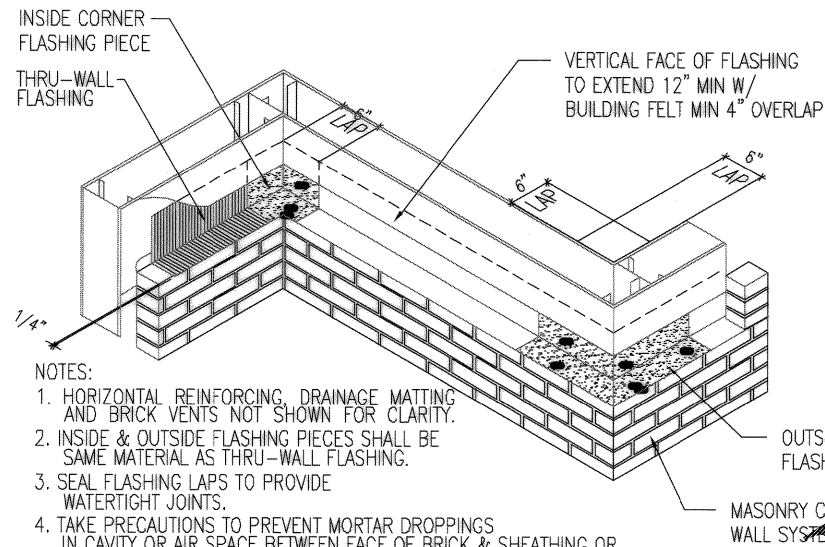
NOTES:

1. HORIZONTAL REINFORCING, DRAINAGE MATTING AND BRICK VENTS NOT SHOWN FOR CLARITY.
2. END DAM FLASHING PIECES SHALL BE SAME MATERIAL AS THRU-WALL FLASHING.
3. SEAL FLASHING LAPS TO PROVIDE WATERTIGHT JOINTS
4. DETAIL SIMILAR WHERE BASE FLASHING ABUTS DOOR FRAMES & OTHER TERMINATIONS.

1 TYPICAL LINTEL FLASHING DETAIL
SCALE: 3/4" = 1'-0"



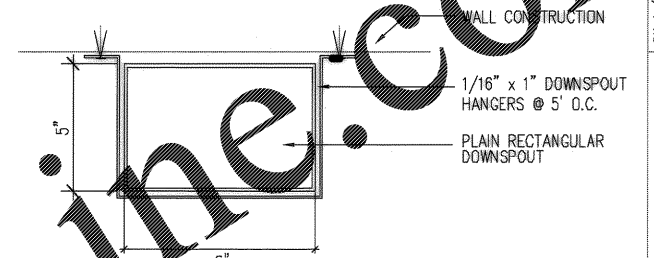
2 BRICK & STUCCO EXPANSION JOINT DETAILS
SCALE: 3" = 1'-0"



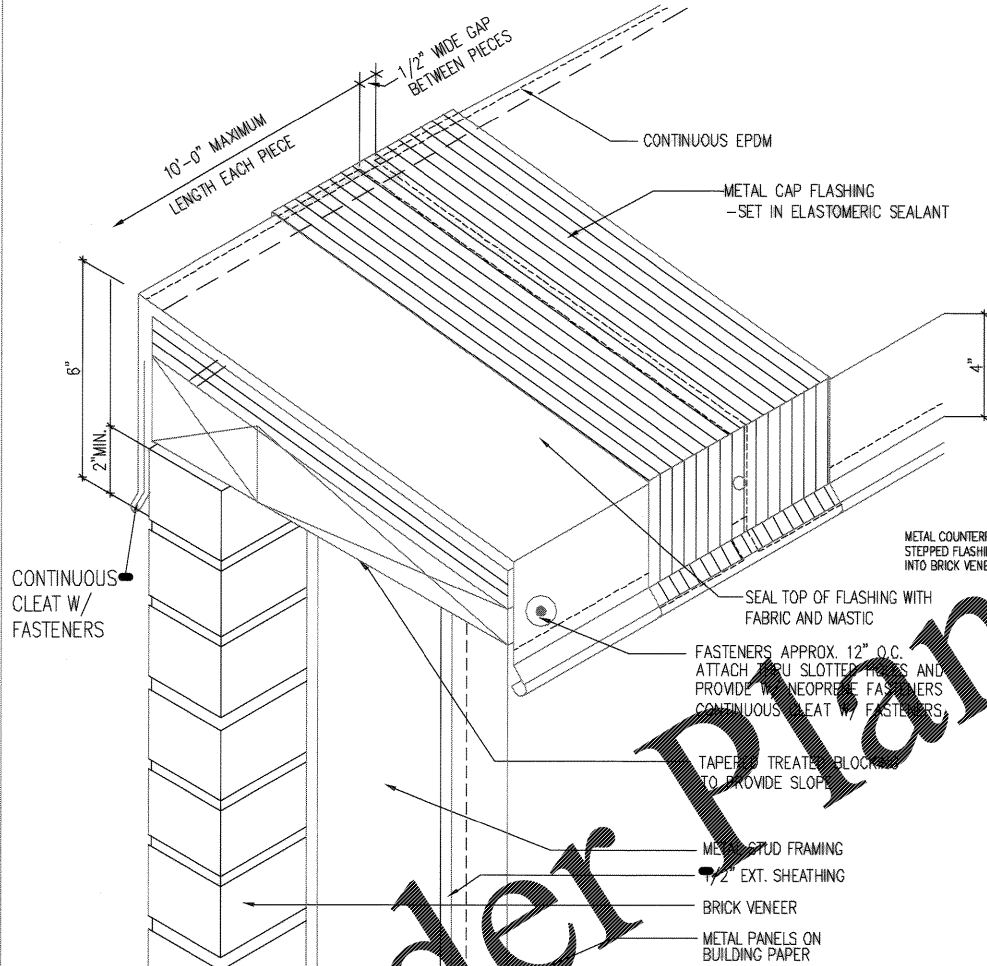
NOTES:

1. HORIZONTAL REINFORCING, DRAINAGE MATTING AND BRICK VENTS NOT SHOWN FOR CLARITY.
2. INSIDE & OUTSIDE FLASHING PIECES SHALL BE SAME MATERIAL AS THRU-WALL FLASHING.
3. SEAL FLASHING LAPS TO PROVIDE WATERTIGHT JOINTS.
4. TAKE PRECAUTIONS TO PREVENT MORTAR DROPPINGS IN CAVITY OR AIR SPACE BETWEEN FACE OF BRICK & SHEATHING OR CONCRETE BLOCK BY TAPERING THE FRESHLY LAID BED OF MORTAR BACK FROM THE EDGE ON THE CAVITY SIDE, SO THAT THE EXTRUSION OF MORTAR THAT OCCURS WHEN THE UNIT IS PLACED DOES NOT CAUSED A PROTRUSION INTO THE CAVITY. INSTALL WEEP-HOLE VENTILATORS AT ALL WATERPROOFED EDGES.

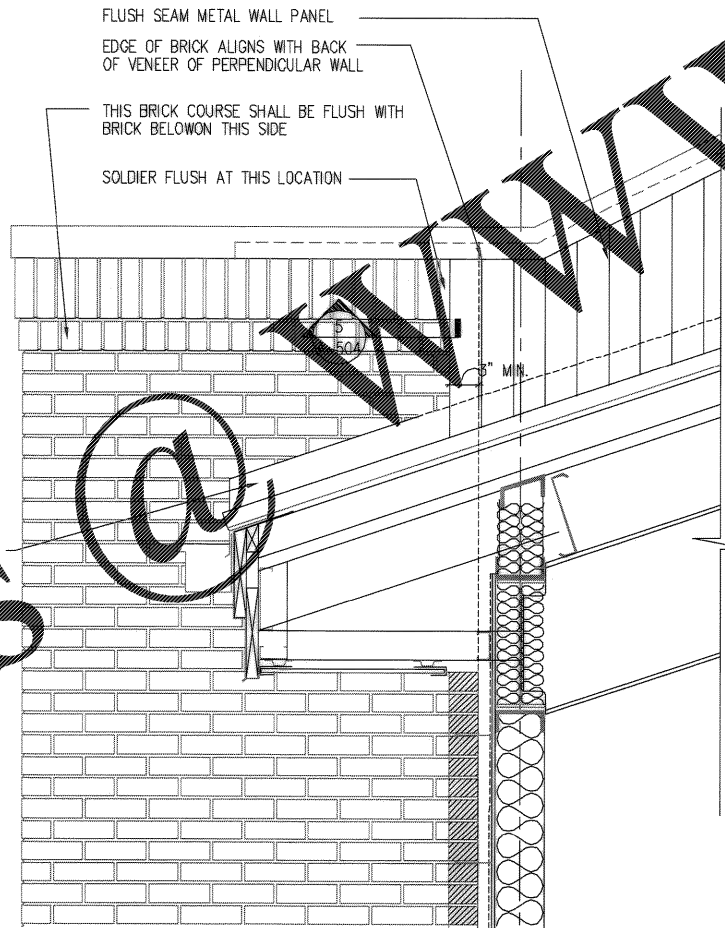
3 BASE FLASHING DETAIL @ METAL STUDS
SCALE: NONE



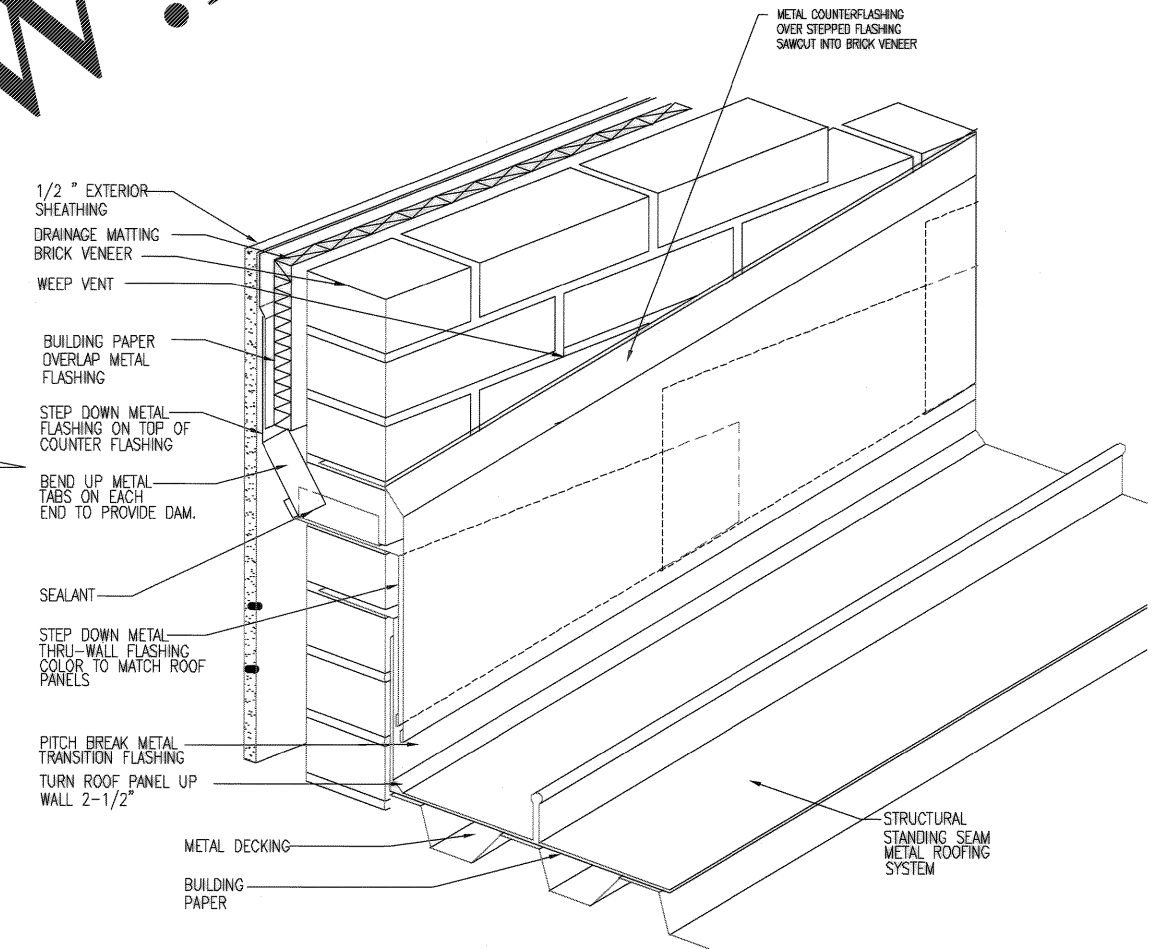
4 DOWNSPOUT DETAIL
SCALE: 3/8" = 1'-0"



5 TYPICAL PARAPET FLASHING DETAIL
SCALE: 3/4" = 1'-0"



6 PARAPET FLASHING ELEVATION
SCALE: 3/4" = 1'-0"



7 STEP FLASHING ELEVATION
SCALE: 3/4" = 1'-0"

DRAWING REVISIONS		Glick/Boehm & Associates, Inc. 247 Meeting Street, Suite 100 Charleston, S.C. 29401 (803) 577-6577	
Rev.	Date	Prep By	Appr. By
1		RD	DB
Description		CHK BOEHM	
AS-BUILT DRWG. NO CORRECTIONS		JOT CH ENR	
		SUBMITTED BY (FIRM MEMBER-TITLE):	
		WE PREP. 9-22-04	
		TECHNICAL BRANCH	
		P/E	
CHARLESTON AIR FORCE BASE		CHARLESTON, SOUTH CAROLINA	
DINING FACILITY			
EXTERIOR DETAILS			
APPROVED: RD		DATE: 5/11/04	
ED FOR COMMANDER, NAVFAC			
Naval Facilities Engineering Command		Southern Division	
Charleston, South Carolina			
STATE OF SOUTH CAROLINA		REGISTERED ARCHITECT	
GLICK/BOEHM & ASSOCIATES, INC.		CHARLESTON NO. B-80005	
RECORD DRAWING DATE	9/27/04	CODE I.D. NO.	80091
DRAWING SIZE:	D	SPEC. NO. 06-98-0939	
CONSTR. CONTR. NO.	N62467-9B-C-0939	NAVFAC DRAWING NO.	5357906
SHEET	81	OF	194
A-501			

Order Plans

WWW.LDILINE.COM