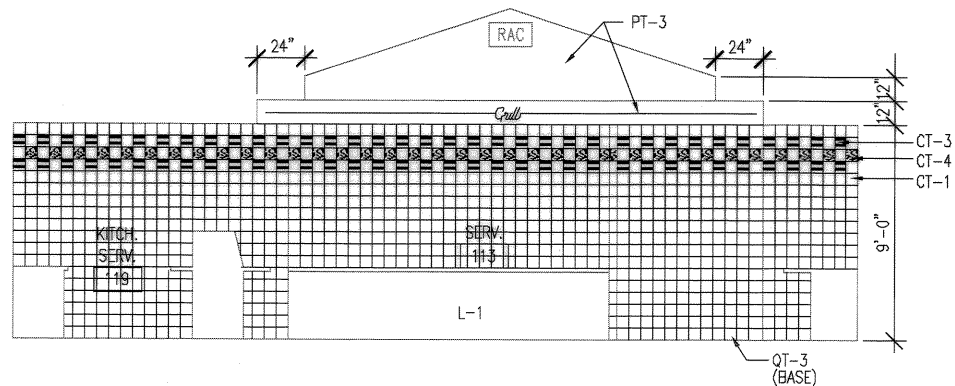
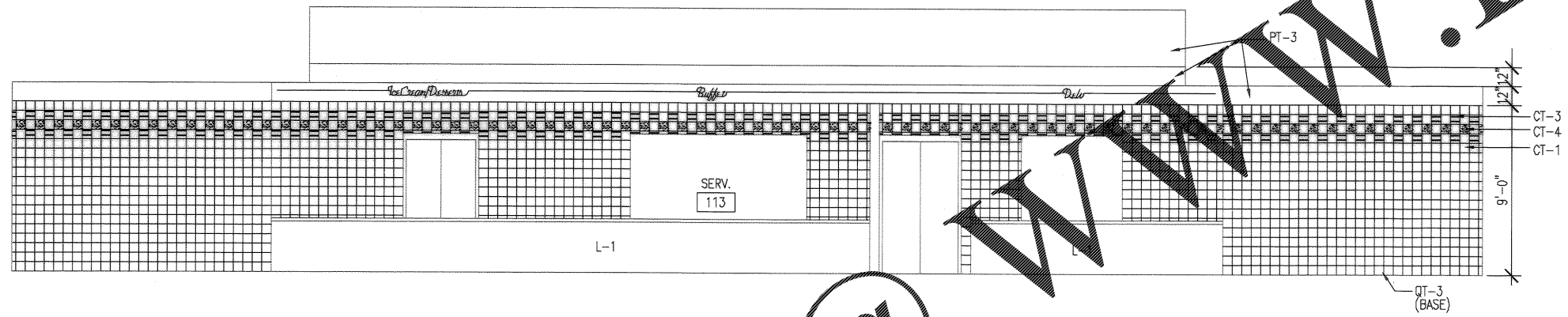


1
A-406
INTERIOR ELEVATION
SCALE: 1/4" = 1'-0"

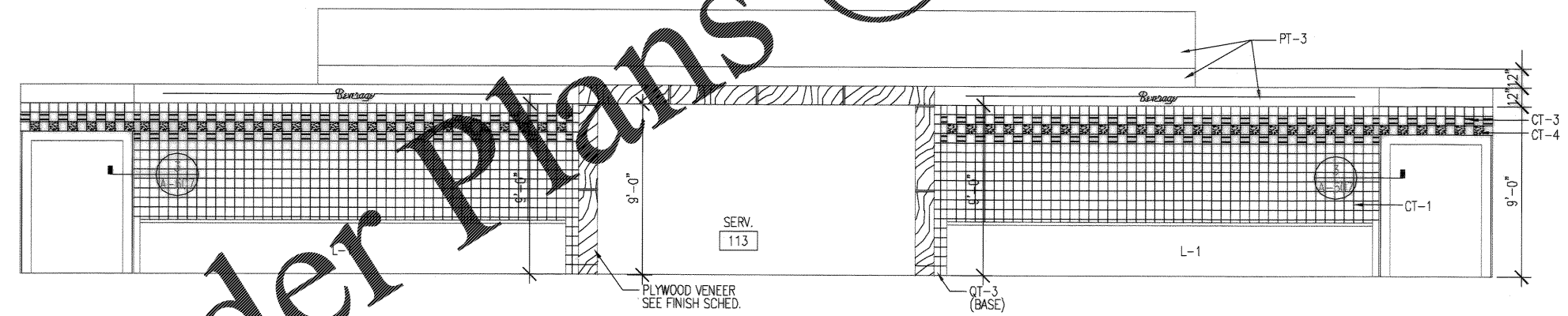


2
A-406
INTERIOR ELEVATION
SCALE: 1/4" = 1'-0"

* NEON CHANGES 1

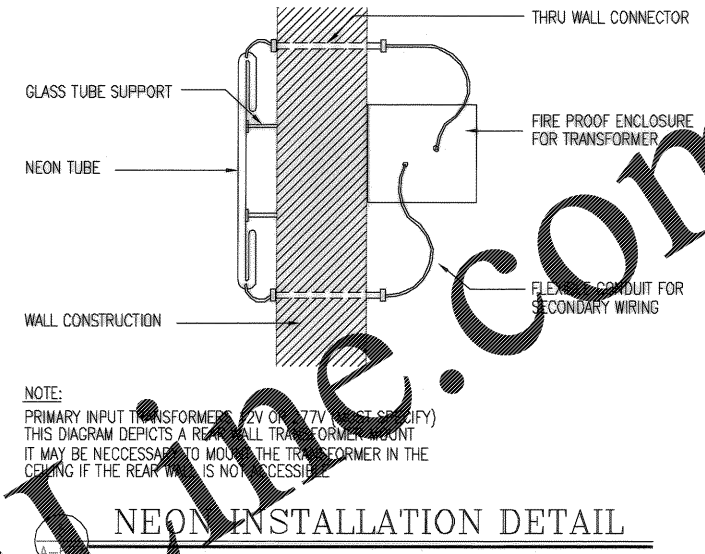
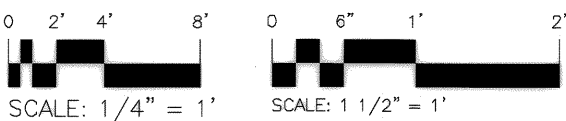


3
A-406
INTERIOR ELEVATION
SCALE: 1/4" = 1'-0"



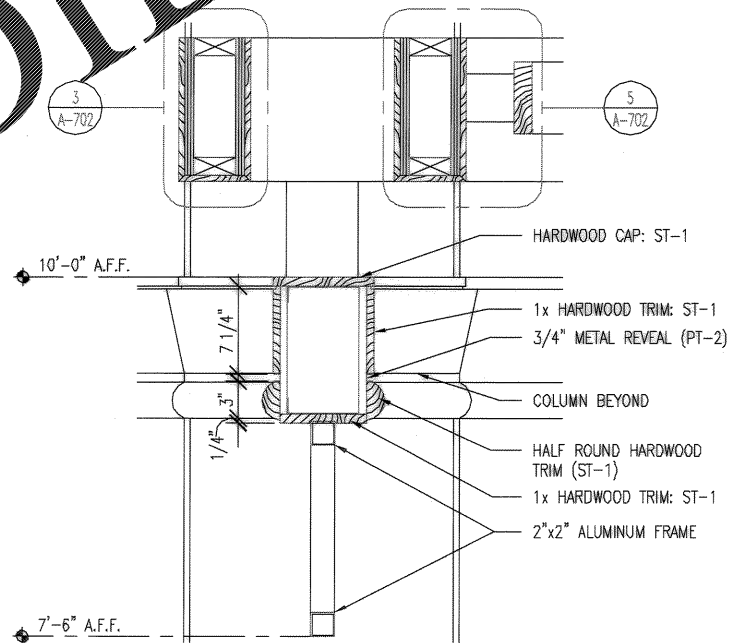
4
A-406
INTERIOR ELEVATION
SCALE: 1/4" = 1'-0"

GRAPHIC SCALES

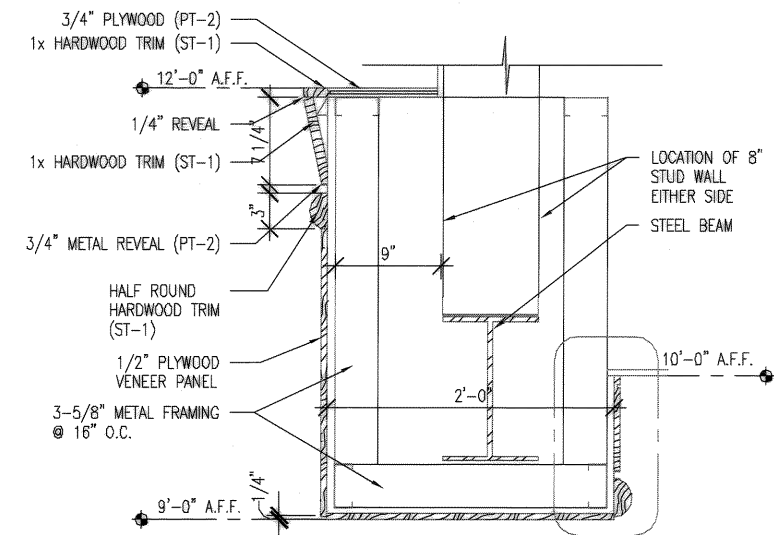


NOTE:
PRIMARY INPUT TRANSFORMERS (BY QUANTITY LIST SPECIFY)
THIS DIAGRAM DEPICTS A REAR WALL TRANSFORMER MOUNT
IT MAY BE NECESSARY TO MOUNT THE TRANSFORMER IN THE
CEILING IF THE REAR WALL IS NOT ACCESSIBLE

NEON INSTALLATION DETAIL



6
A-404
INTERIOR TRIM DETAIL
SCALE: 1-1/2" = 1'-0"



7
A-405
INTERIOR TRIM DETAIL
SCALE: 1-1/2" = 1'-0"

DRAWING REVISIONS Description Date Approved Prepped Drawn Checked In Charge	Rev. 1 CORR. TO AS-BUILT 4/24/04 JAH JAH JAH BOEHM BOEHM	Glick/Boehm & Associates, Inc. 247 Meeting Street, Suite 100 Charleston, S.C. 29401 (803) 577-6377 FAX (803) 577-6378	ENGINEER ARCHITECT ARCHITECT ARCHITECT ARCHITECT ARCHITECT	SUBMITTED BY (FIRM MEMBER-TITLE) DATE APPROVED ETD FOR COMMANDER, NAVFAC
CHARLESTON AIR FORCE BASE DINING FACILITY INTERIOR ELEVATIONS		CHARLESTON, SOUTH CAROLINA APPROVED: <i>RD Davis</i> DATE: 5/11/04		
Naval Facilities Engineering Command Southern Division Charleston, South Carolina		STATE OF SOUTH CAROLINA Glick/Boehm & Associates, Inc. CHARLESTON NO. B-80006 REGISTERED ARCHITECT		
RECORD DRAWING DATE CODE I.B. NO. 80091 DRAWING SIZE: D SPEC. NO. 06-98-0939 CONSTR. CONTR. NO. N62467-98-C-0939 NAVFAC DRAWING NO. 5357904 SHEET 80 OF 194		A-407 468-115		

Order Plans @

WWW.LDIDLINE.COM