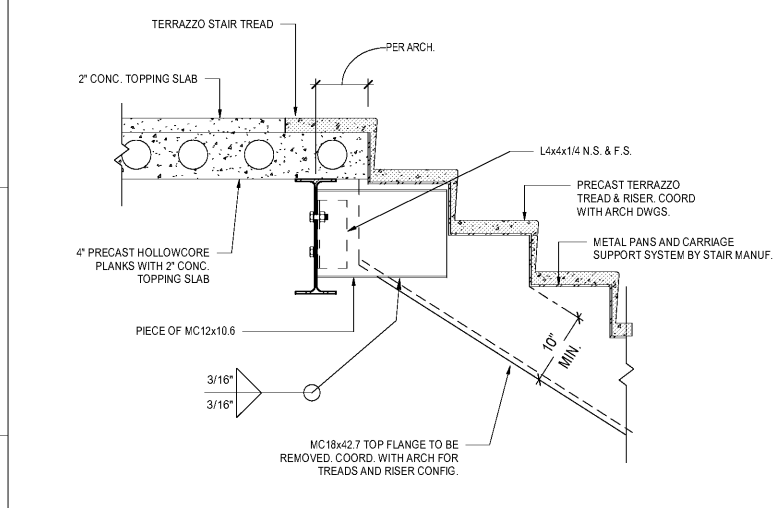
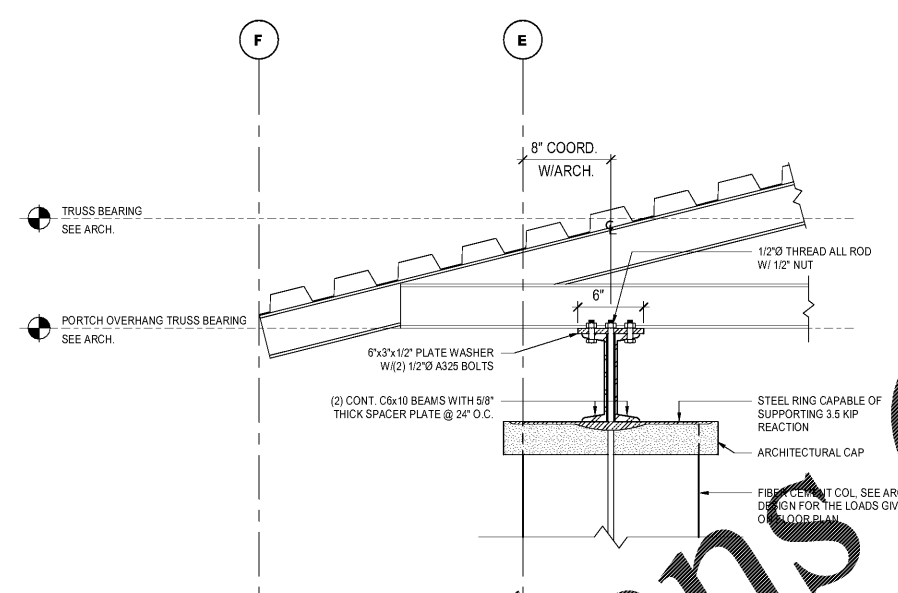


ALL DESIGNS, DRAWINGS AND SPECIFICATIONS DEPICTED ON THIS SHEET ARE PROPERTY OF COAST ARCHITECTS, INC. COPYRIGHT © 9/30/2018 ANY UNAUTHORIZED USE OR REPRODUCTION IS SUBJECT TO LEGAL PROSECUTION. POSSESSION IN ANY FORM CONSTITUTES ACCEPTANCE OF THESE CONDITIONS.

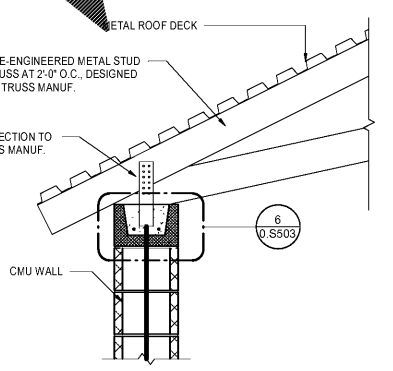
12:14:02 PM



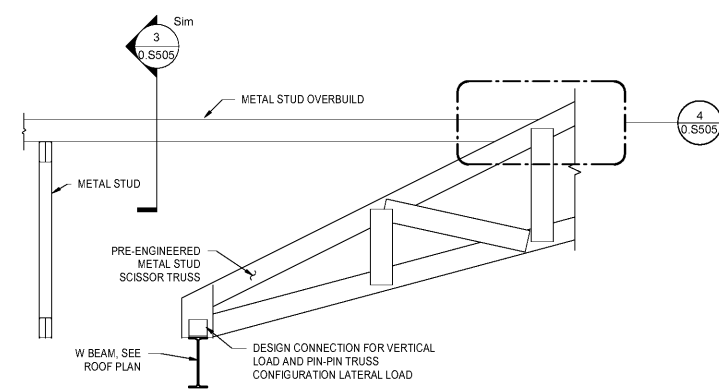
1
1.S503
TYPICAL STAIR CONNECTION TO BEAM
1" = 1'-0"



4
1.S503
DOUBLE C BEAMS AT FIBER CEMENT COLUMN/TRUSS CONNECTION
1 1/2" = 1'-0"



5
1.S503
SCISSOR ROOF TRUSS BEARING AT BOND BEAM
3/4" = 1'-0"

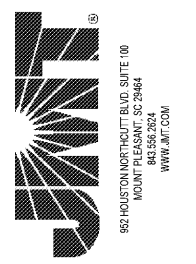


6
1.S503
SECTION AT TRUSS OVERBUILD
1/2" = 1'-0"

WWW.LDILine.com

Order Plans

coast
 architects
 671 St. Andrews Blvd., Charleston, SC 29407
 Phone: 843.763.7064 Fax: 843.763.7061
 www.coastarchitects.net



BOATING CENTER REDEVELOPMENT -
 SWAIN BOATING CENTER
 11 HAMMOND AVENUE
 THE CITADEL
 THE MILITARY COLLEGE OF SOUTH CAROLINA

Revisions	
Rev. No.	Rev. Date

DRAWN BY: BE
 CHECKED BY: CR
 DATE: 06.01.2018

COAST PROJECT NO: 1722.00

BOATHOUSE
 STEEL DETAILS

1.S503

BID DOCUMENTS