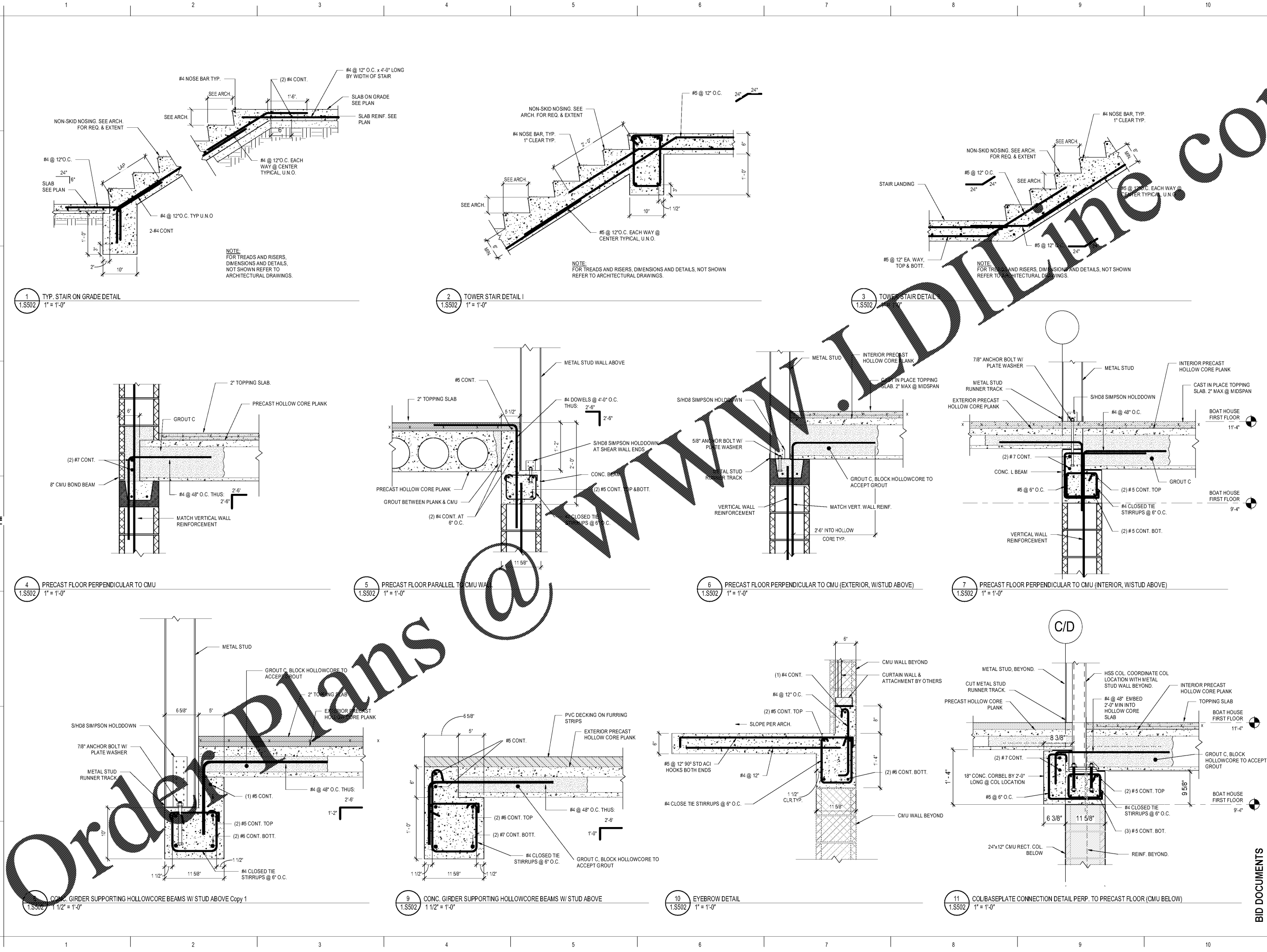


ALL DESIGNS, DRAWINGS AND SPECIFICATIONS DEPICTED ON THIS SHEET ARE PROPERTY OF COAST ARCHITECTS, INC. COPYRIGHT © 2018 ANY UNAUTHORIZED USE OR REPRODUCTION IS SUBJECT TO LEGAL PROSECUTION. POSSESSION IN ANY FORM CONSTITUTES ACCEPTANCE OF THESE CONDITIONS.



1 TYP. STAIR ON GRADE DETAIL
1.5502 1" = 1'-0"

2 TOWER STAIR DETAIL I
1.5502 1" = 1'-0"

3 TOWER STAIR DETAIL II
1.5502 1" = 1'-0"

4 PRECAST FLOOR PERPENDICULAR TO CMU
1.5502 1" = 1'-0"

5 PRECAST FLOOR PARALLEL TO CMU WALL
1.5502 1" = 1'-0"

6 PRECAST FLOOR PERPENDICULAR TO CMU (EXTERIOR, W/STUD ABOVE)
1.5502 1" = 1'-0"

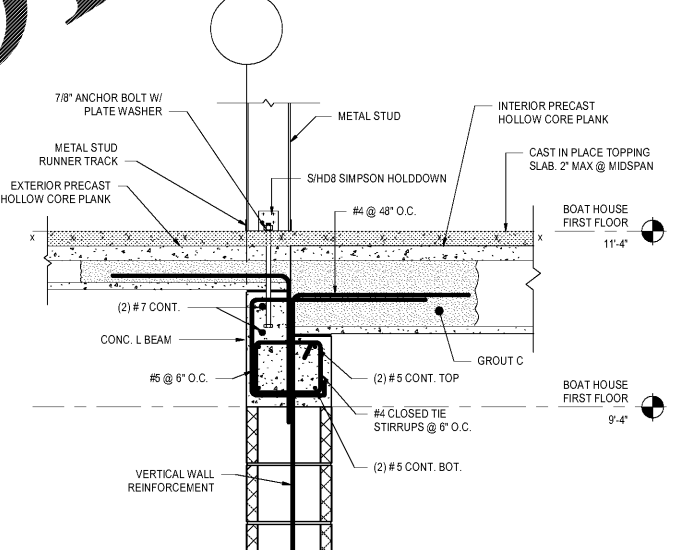
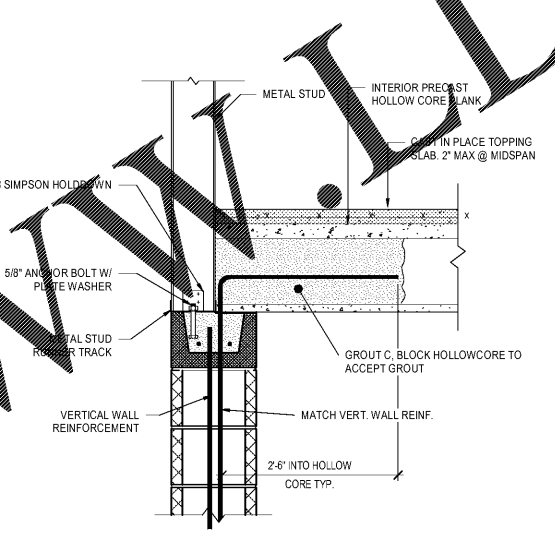
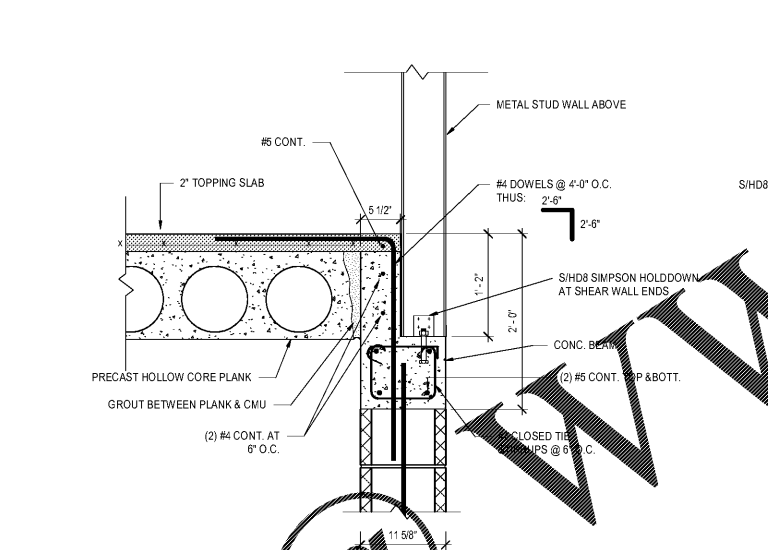
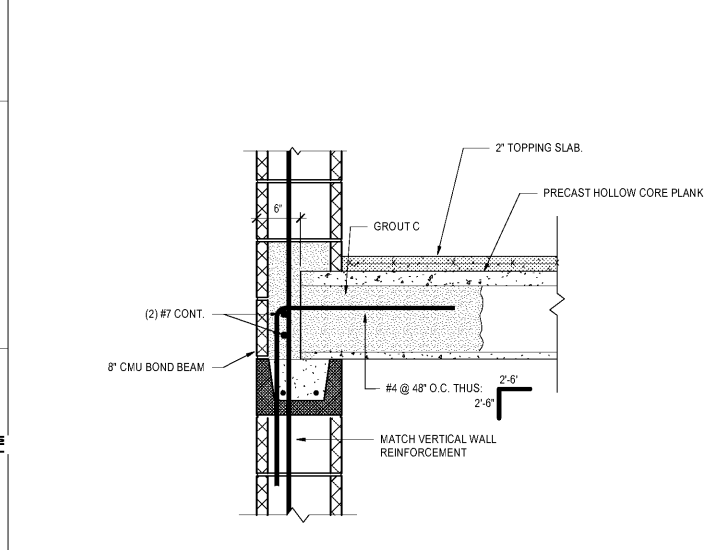
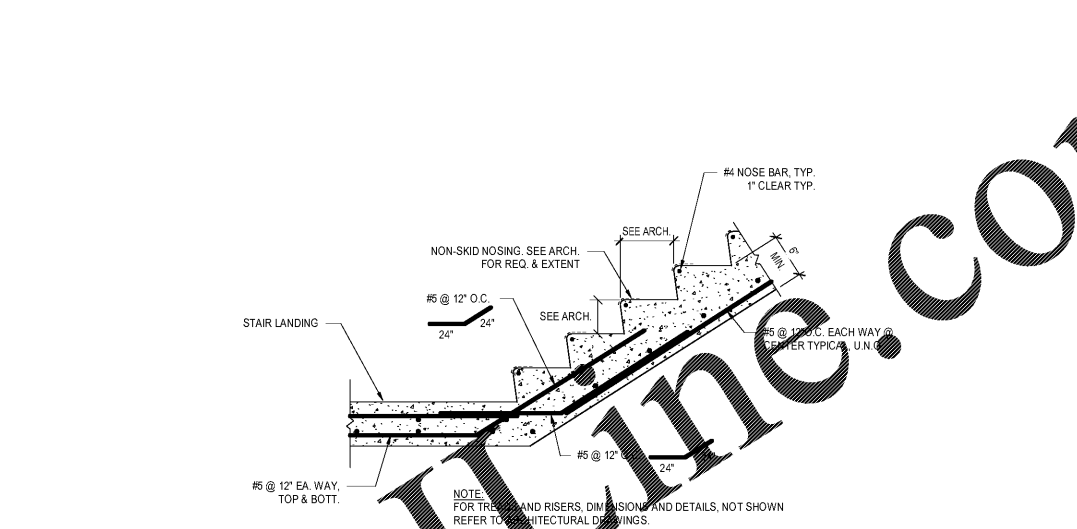
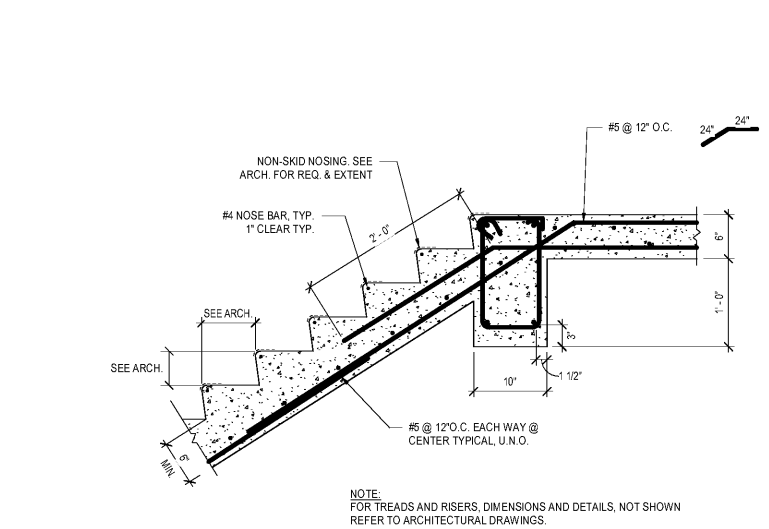
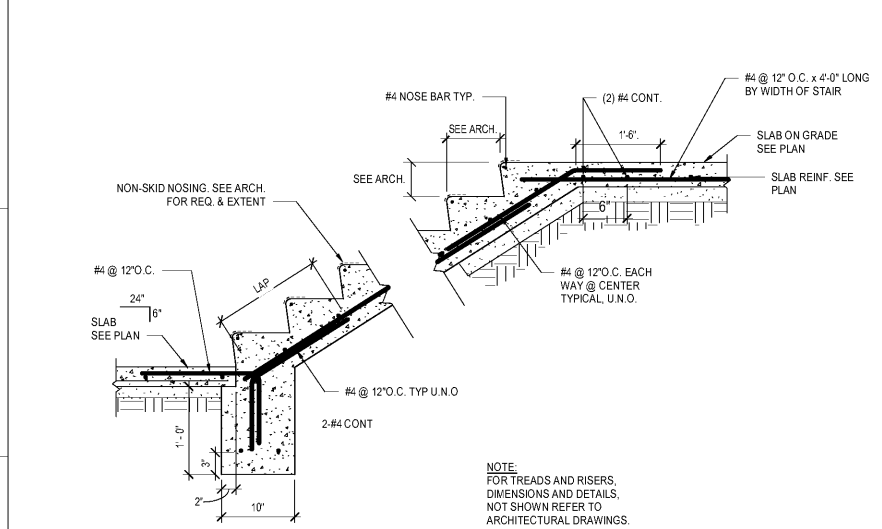
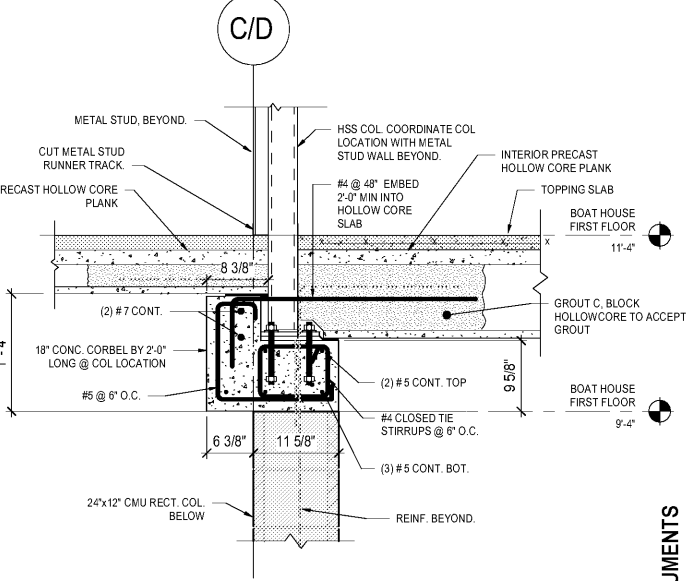
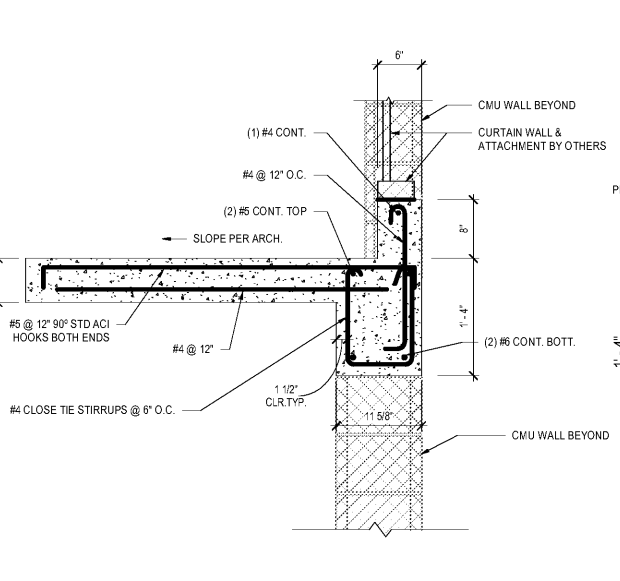
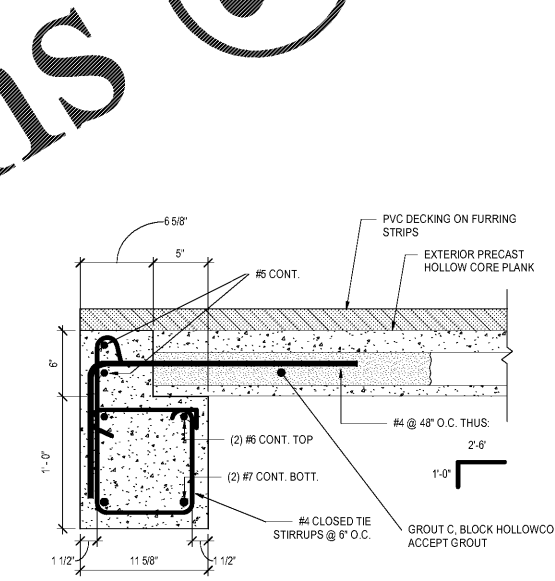
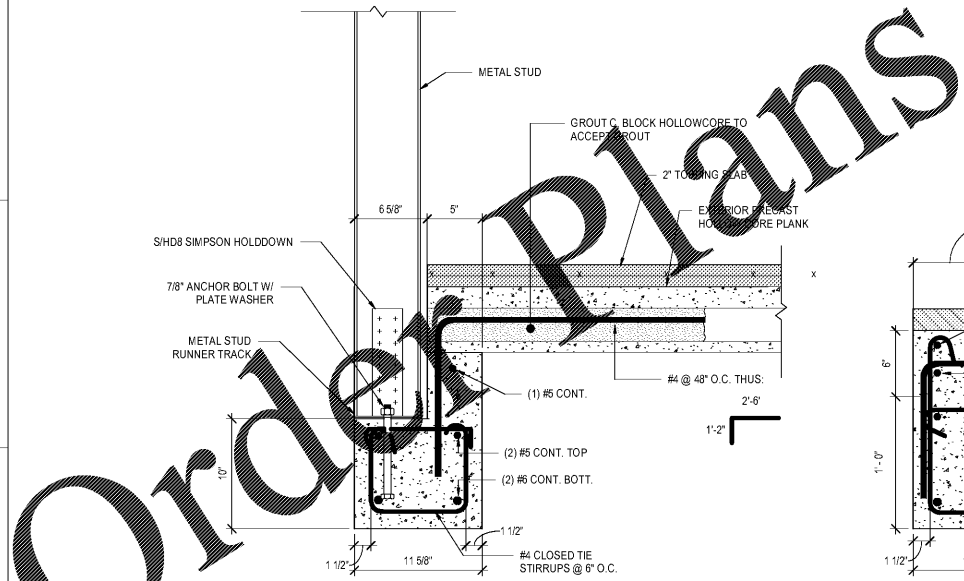
7 PRECAST FLOOR PERPENDICULAR TO CMU (INTERIOR, W/STUD ABOVE)
1.5502 1" = 1'-0"

8 CONC. GIRDER SUPPORTING HOLLOWCORE BEAMS W/ STUD ABOVE
1.5502 1 1/2" = 1'-0"

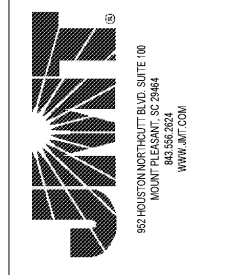
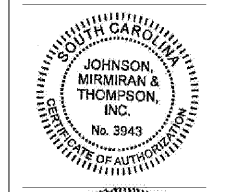
9 CONC. GIRDER SUPPORTING HOLLOWCORE BEAMS W/ STUD ABOVE
1.5502 1 1/2" = 1'-0"

10 EYEBROW DETAIL
1.5502 1" = 1'-0"

11 COL/BASEPLATE CONNECTION DETAIL PERP. TO PRECAST FLOOR (CMU BELOW)
1.5502 1" = 1'-0"



coast architects
671 St. Andrews Blvd., Charleston, SC 29407
Phone: 843.763.7064 Fax: 843.763.7061
www.coastarchitects.net



BOATING CENTER REDEVELOPMENT - SWAIN BOATING CENTER
11 HAMMOND AVENUE
CITADEL
THE MILITARY COLLEGE OF SOUTH CAROLINA

Revisions	
Rev. No.	Rev. Date

DRAWN BY: BE
CHECKED BY: CR
DATE: 06.01.2018
COAST PROJECT NO: 1722.00

BOATHOUSE CONCRETE DETAILS
1.S502

BID DOCUMENTS