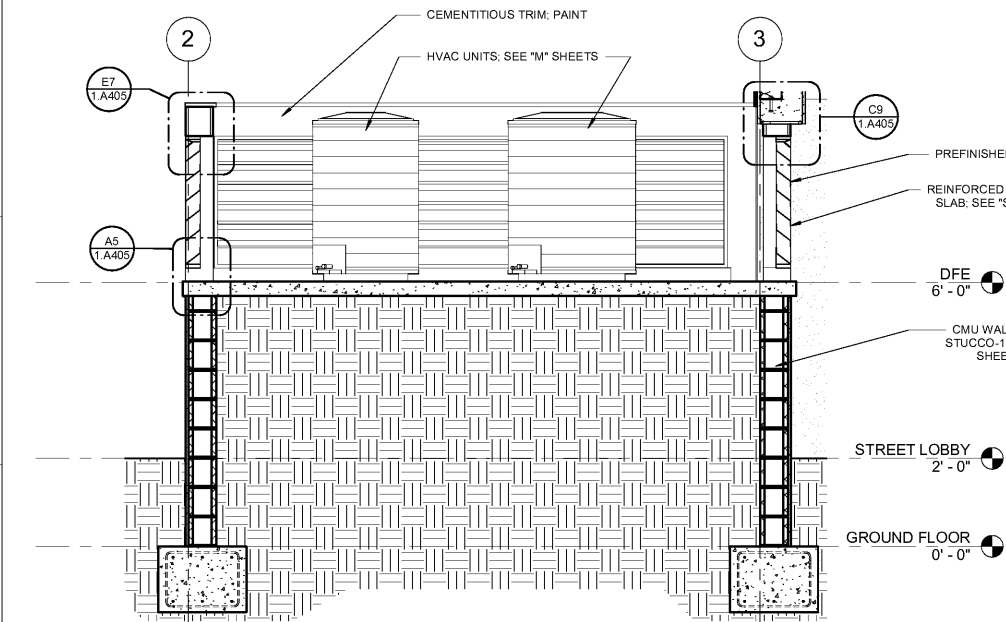
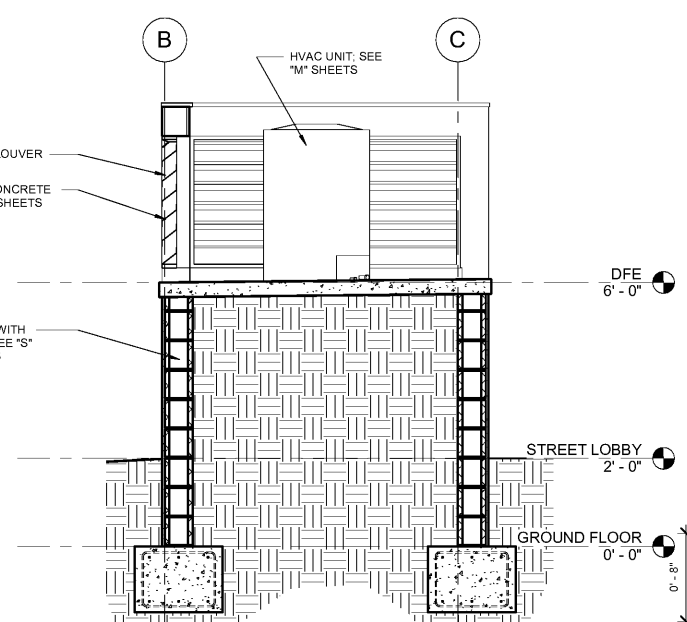


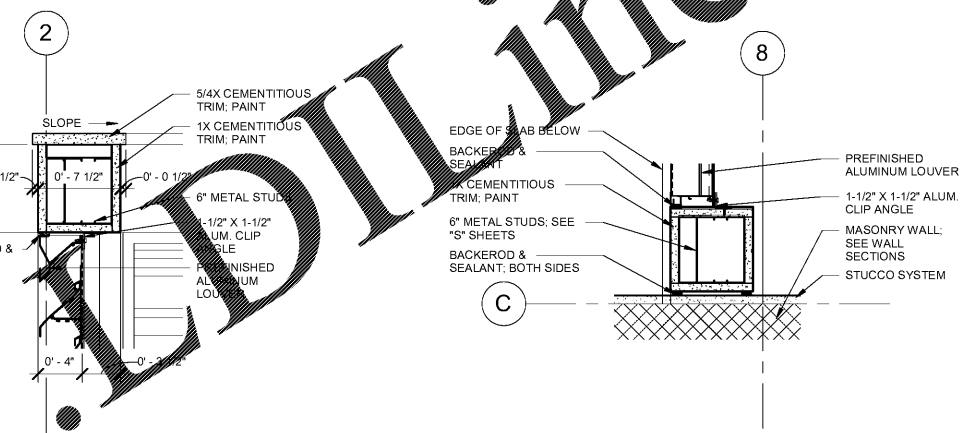
ALL DESIGNS, DRAWINGS AND SPECIFICATIONS DEPICTED ON THIS SHEET ARE PROPERTY OF COAST ARCHITECTS, INC. COPYRIGHT © 6/1/2018 ANY UNAUTHORIZED USE OR REPRODUCTION IS SUBJECT TO LEGAL PROSECUTION. POSSESSION IN ANY FORM CONSTITUTES ACCEPTANCE OF THESE CONDITIONS.  
10:51:26 AM



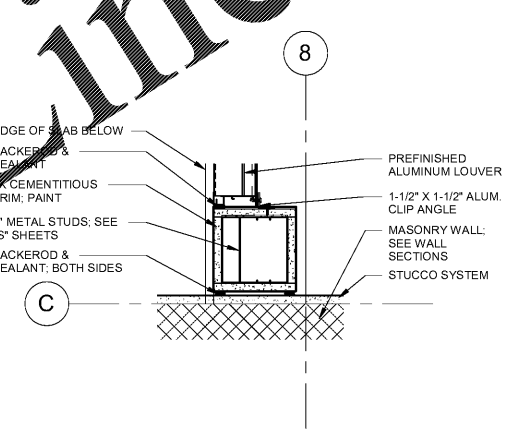
F1 SECTION 1 - HVAC PLATFORM  
1.A405 SCALE: 1/2" = 1'-0"



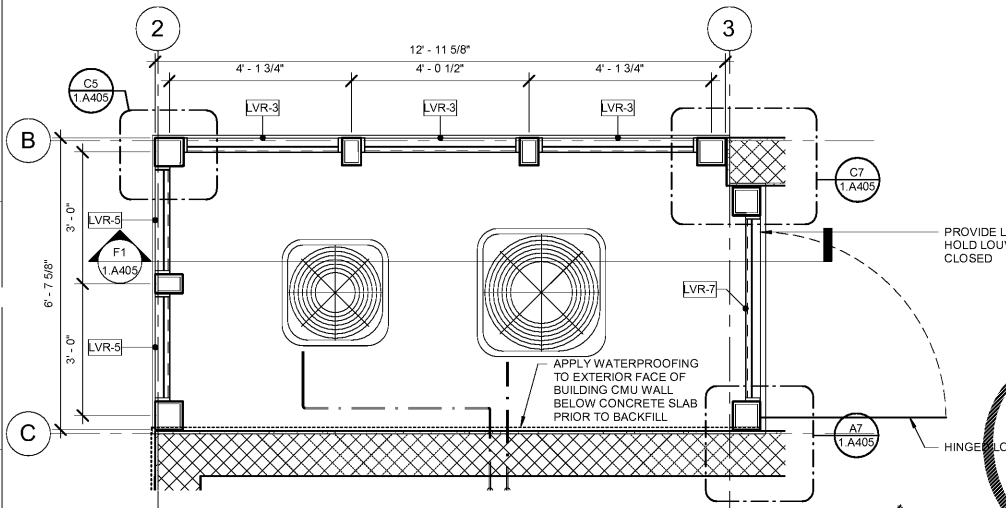
F5 SECTION 2 - HVAC PLATFORM  
1.A405 SCALE: 1/2" = 1'-0"



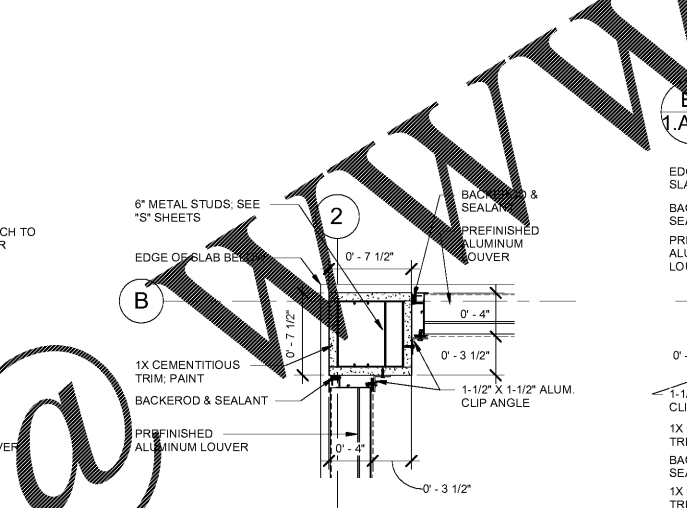
E1 PLATFORM SECTION DETAIL  
1.A405 SCALE: 1 1/2" = 1'-0"



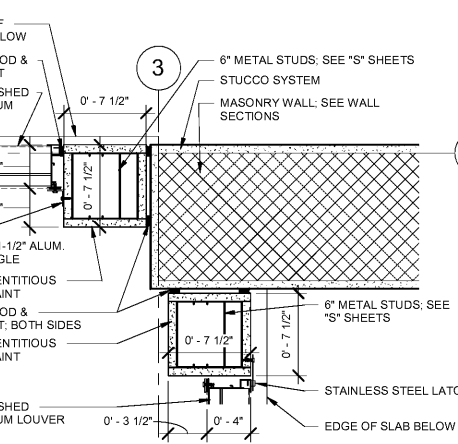
E9 PLATFORM PLAN DETAIL  
1.A405 SCALE: 1 1/2" = 1'-0"



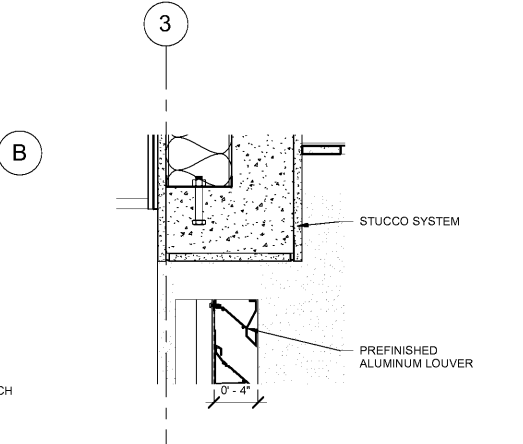
C1 BOAT HOUSE-GROUND FLOOR - HVAC PLATFORM 2  
1.A405 SCALE: 1/2" = 1'-0"



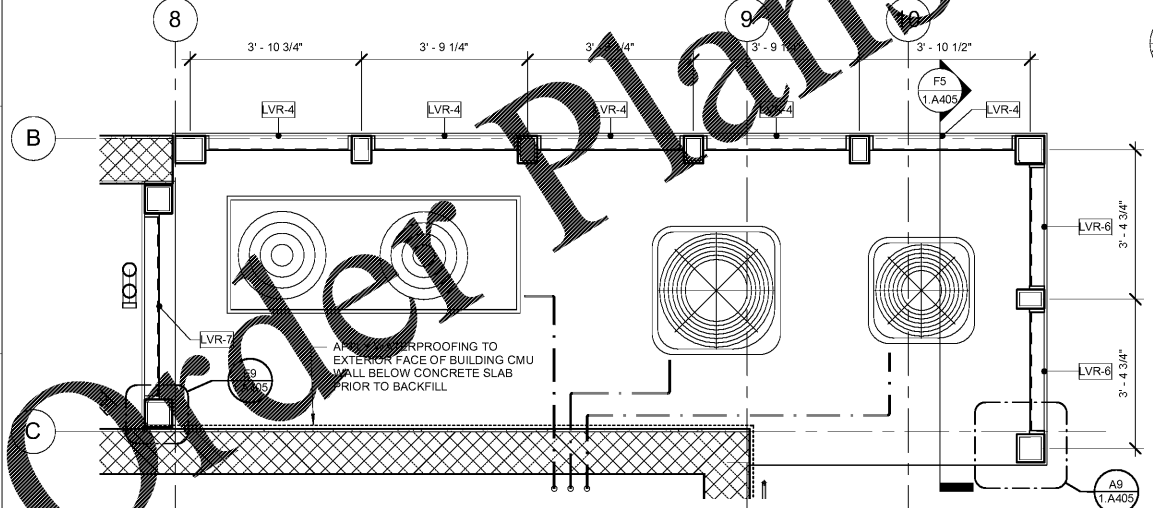
C5 PLATFORM PLAN DETAIL  
1.A405 SCALE: 1 1/2" = 1'-0"



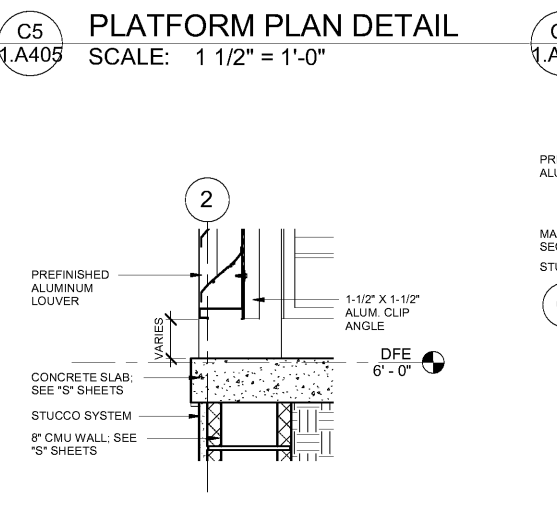
C7 PLATFORM PLAN DETAIL  
1.A405 SCALE: 1 1/2" = 1'-0"



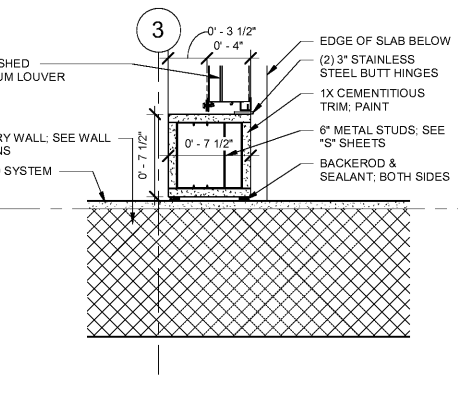
C9 PLATFORM SECTION DETAIL  
1.A405 SCALE: 1 1/2" = 1'-0"



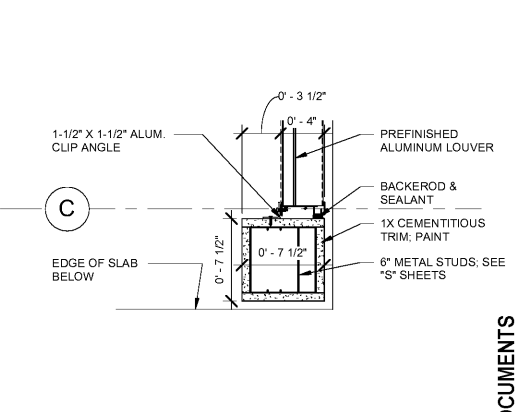
A1 BOAT HOUSE-GROUND FLOOR - HVAC PLATFORM 1  
1.A405 SCALE: 1/2" = 1'-0"



A5 PLATFORM SECTION DETAIL  
1.A405 SCALE: 1 1/2" = 1'-0"



A7 PLATFORM PLAN DETAIL  
1.A405 SCALE: 1 1/2" = 1'-0"



A9 PLATFORM PLAN DETAIL  
1.A405 SCALE: 1 1/2" = 1'-0"

Order Plans @

@

**coast**  
architects  
671 St. Andrews Blvd Charleston, SC 29407  
Phone: 843.763.7064 Fax: 843.763.7061  
www.coastarchitects.net

STATE OF SOUTH CAROLINA  
COAST ARCHITECTS INC.  
Charleston, SC No. 03038  
REGISTERED ARCHITECT

STATE OF SOUTH CAROLINA  
FRANK A. MACCLURE, II  
Charleston, SC No. 4804  
06.01.2018  
REGISTERED ARCHITECT

BOATING CENTER REDEVELOPMENT -  
SWAIN BOATING CENTER  
H09-9617-PG-C  
CITADEL 11 HAMMOND AVENUE  
CHARLESTON, SC  
THE MILITARY COLLEGE OF SOUTH CAROLINA

Revisions	
Rev. No.	Rev. Date

DRAWN BY: LWM  
CHECKED BY: FAM  
DATE: 06.01.2018

COAST PROJECT NO: 1722.00

BOAT HOUSE  
HVAC PLATFORM  
PLANS, SECTIONS  
AND DETAILS

**1.A405**

BID DOCUMENTS