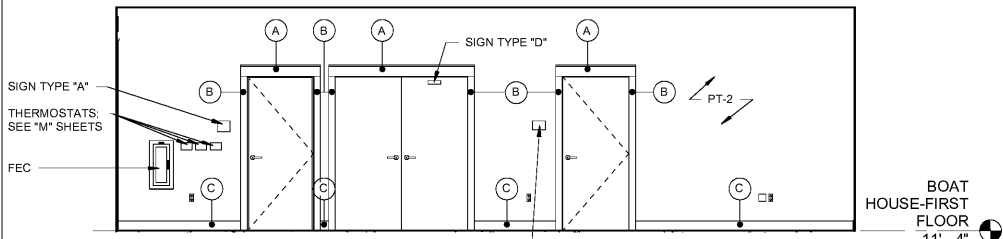
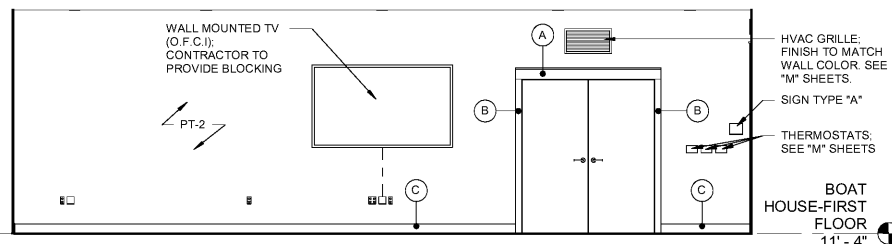


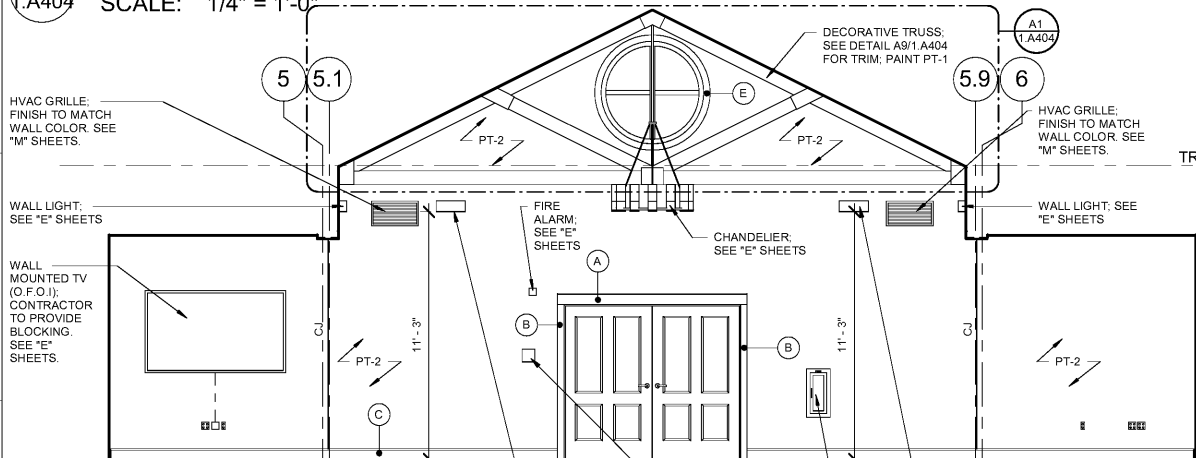
ALL DESIGNS, DRAWINGS AND SPECIFICATIONS DEPICTED ON THIS SHEET ARE PROPERTY OF COAST ARCHITECTS, INC. COPYRIGHT © 06/12/2018 ANY UNAUTHORIZED USE OR REPRODUCTION IS SUBJECT TO LEGAL PROSECUTION. POSSESSION IN ANY FORM CONSTITUTES ACCEPTANCE OF THESE CONDITIONS.



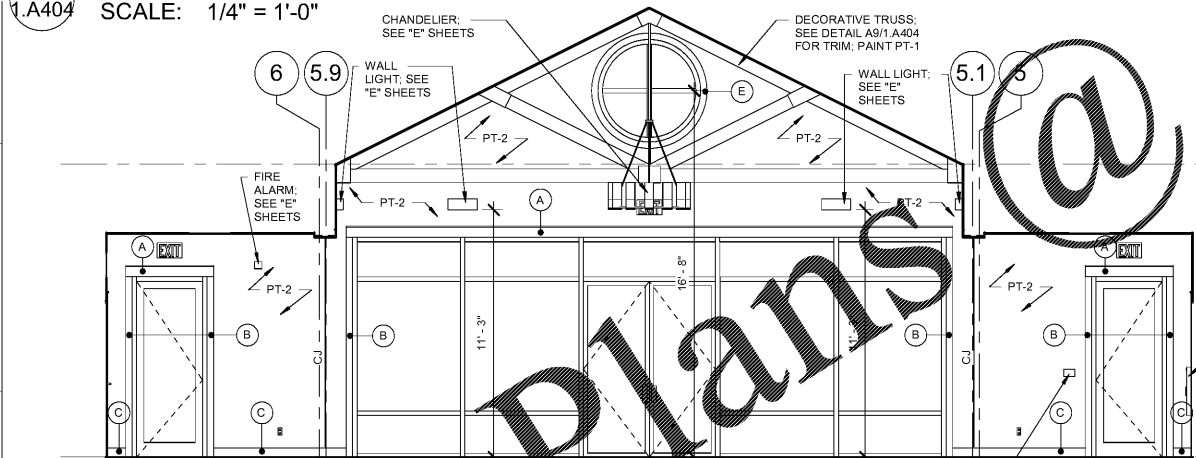
G1
1.A404
MULTI-PURPOSE ROOM 4
SCALE: 1/4" = 1'-0"



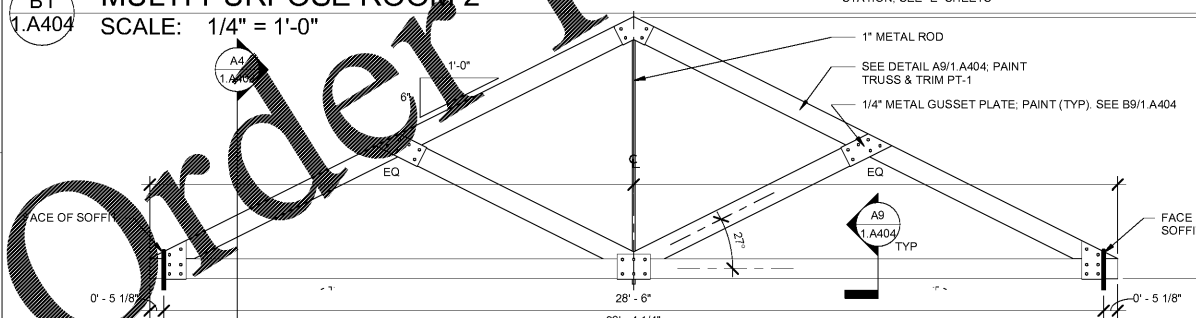
F1
1.A404
MULTI-PURPOSE ROOM 3
SCALE: 1/4" = 1'-0"



D1
1.A404
MULTI-PURPOSE ROOM 1
SCALE: 1/4" = 1'-0"

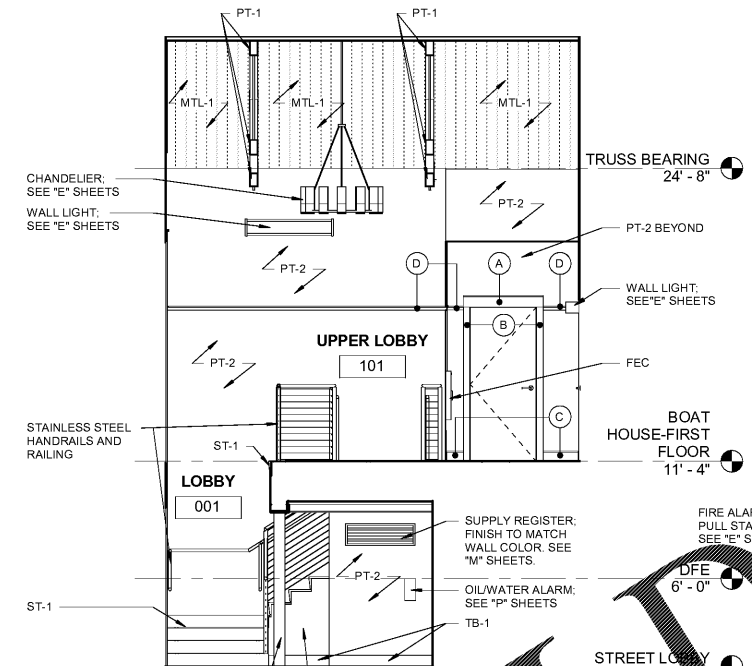


B1
1.A404
MULTI-PURPOSE ROOM 2
SCALE: 1/4" = 1'-0"

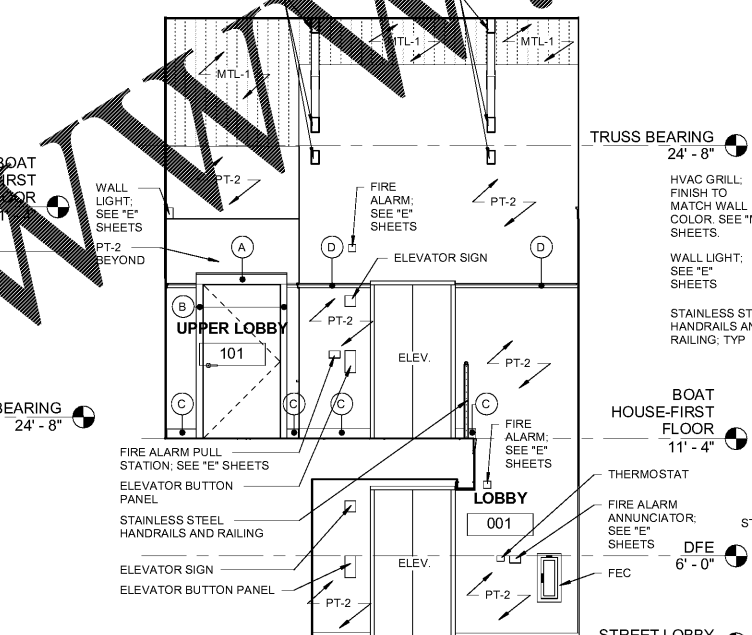


A1
1.A404
ENLARGED DEC TRUSS ELEV - MP ROOM
SCALE: 3/8" = 1'-0"

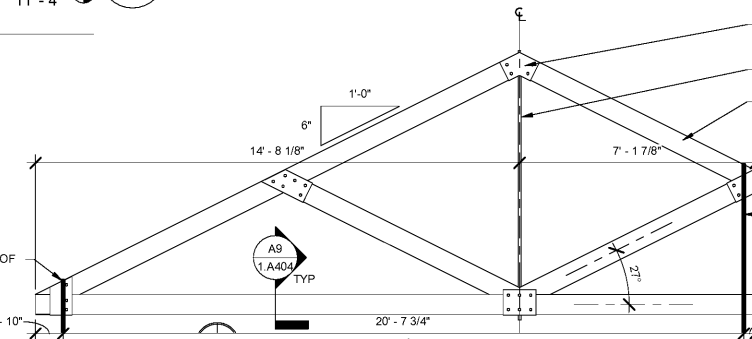
NOTE: SEE DETAIL A7/1.A401 FOR TRIM DETAILS. ALL TRIM TO BE PAINTED PT-1



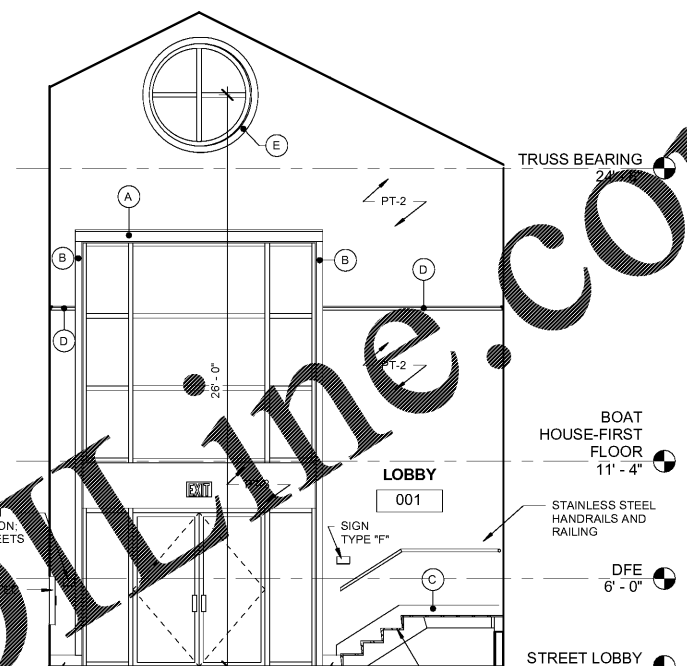
F6
1.A404
LOBBY ELEVATION
SCALE: 1/4" = 1'-0"



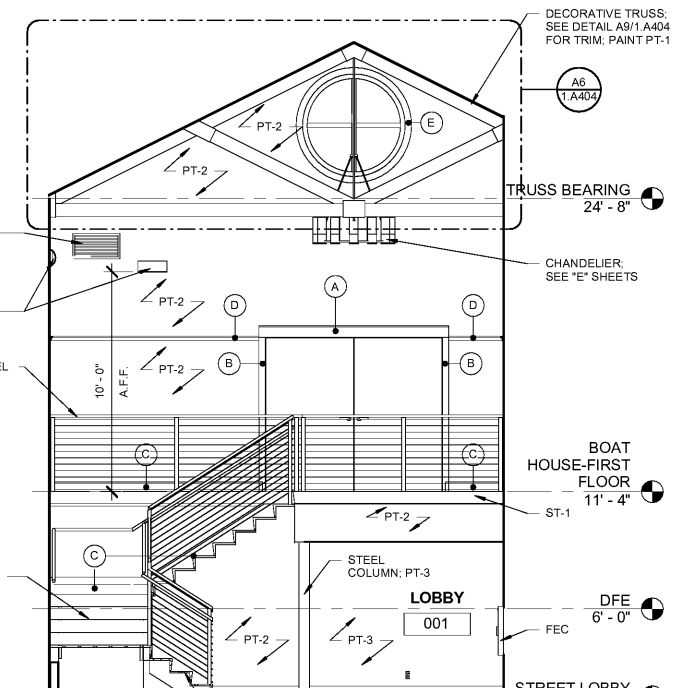
B6
1.A404
LOBBY ELEVATION
SCALE: 1/4" = 1'-0"



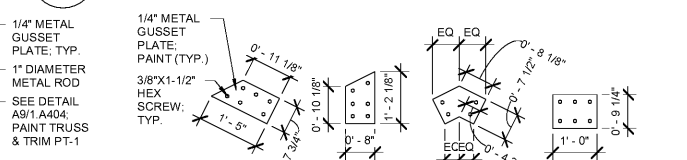
A6
1.A404
ENLARGED DEC TRUSS ELEV - LOBBY
SCALE: 3/8" = 1'-0"



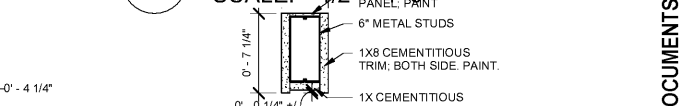
F8
1.A404
LOBBY ELEVATION
SCALE: 1/4" = 1'-0"



B8
1.A404
LOBBY ELEVATION
SCALE: 1/4" = 1'-0"



B9
1.A404
GUSSET PLATES
SCALE: 1/2" = 1'-0"



A9
1.A404
TRUSS TRIM DETAIL
SCALE: 1 1/2" = 1'-0"

Order Plans @

WWW.LDLINE.COM

coast architects
671 St. Andrews Blvd Charleston, SC 29407
Phone: 843.763.7064 Fax: 843.763.7061
www.coastarchitects.net



BOATING CENTER REDEVELOPMENT - SWAIN BOATING CENTER
11 HAMMOND AVENUE
CHARLESTON, SC

Revisions	
Rev. No.	Rev. Date

DRAWN BY: MCC
CHECKED BY: FAM
DATE: 06.01.2018

COAST PROJECT NO: 1722.00

BOAT HOUSE MULTI-PURPOSE ROOM INTERIOR ELEVATIONS

1.A404

BID DOCUMENTS