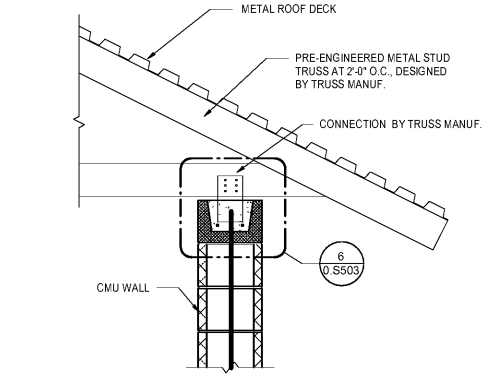
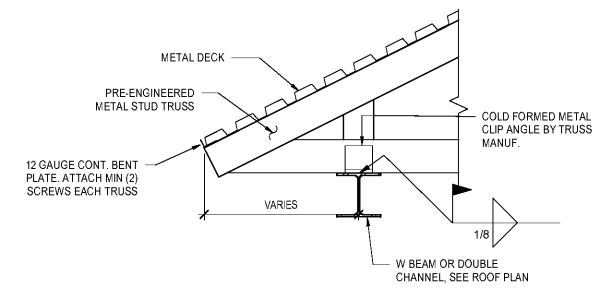


ALL DESIGNS, DRAWINGS AND SPECIFICATIONS DEPICTED ON THIS SHEET ARE PROPERTY OF COAST ARCHITECTS, INC. COPYRIGHT © 2018 ANY UNAUTHORIZED USE OR REPRODUCTION IS SUBJECT TO LEGAL PROSECUTION. POSSESSION IN ANY FORM CONSTITUTES ACCEPTANCE OF THESE CONDITIONS.

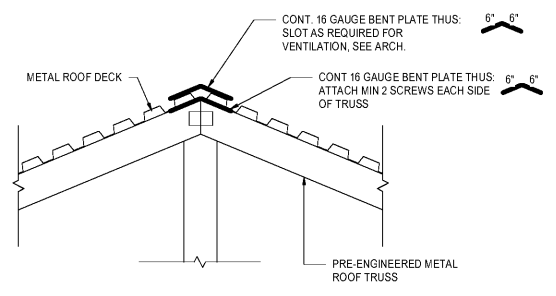
12:13:54 PM



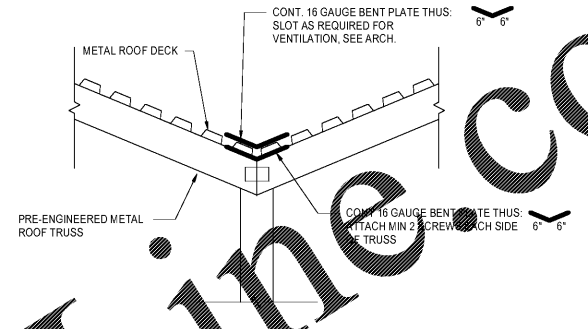
1 TRUSS DETAIL OVER CMU WALL
0.S505 3/4" = 1'-0"



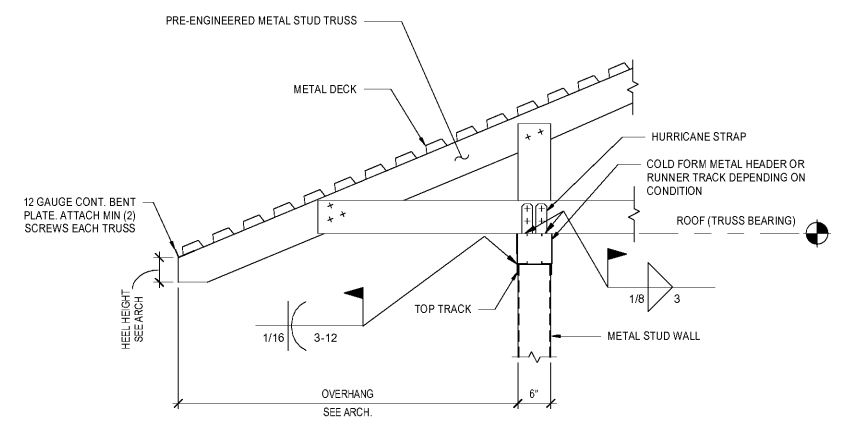
2 TRUSS-TO-STEEL BEAM CONN.
0.S505 3/4" = 1'-0"



3 DECK SUPPORT AT RIDGE
0.S505 3/4" = 1'-0"



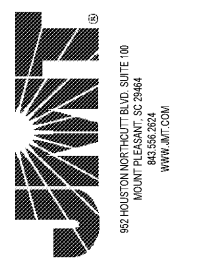
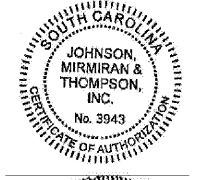
4 DECK SUPPORT AT VALLEY
0.S505 3/4" = 1'-0"



5 ROOF TRUSS AT EXTERIOR C.F. STUD WALL
0.S505 3/4" = 1'-0"

Order Plans @ WWW.LDILine.COM

coast architects
671 St. Andrews Blvd Charleston, SC 29407
Phone: 843.763.7064 Fax: 843.763.7061
www.coastarchitects.net



BOATING CENTER REDEVELOPMENT - SWAIN BOATING CENTER
11 HAMMOND AVENUE
CITADEL THE MILITARY COLLEGE OF SOUTH CAROLINA

Revisions	
Rev. No.	Rev. Date

DRAWN BY: BE
CHECKED BY: CR
DATE: 06.01.2018

COAST PROJECT NO: 1722.00

TYPICAL DETAILS (COLD FORMED STEEL)

0.S505

BID DOCUMENTS