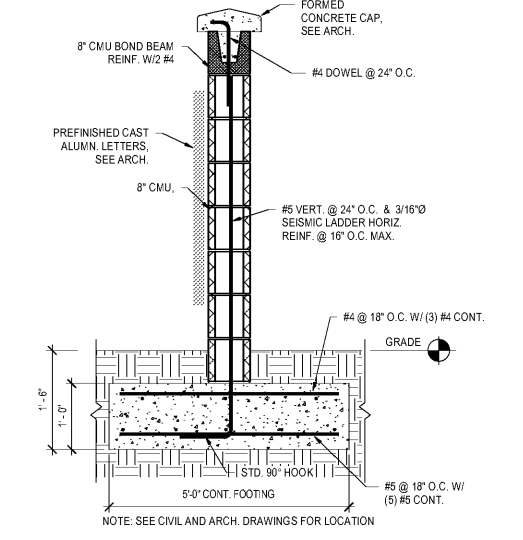
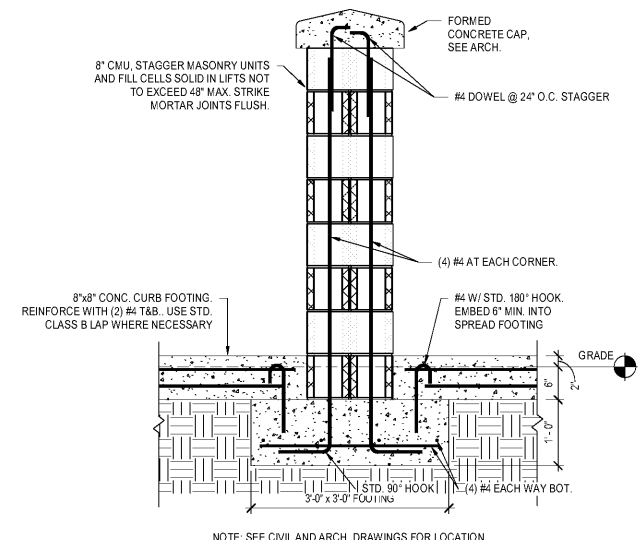
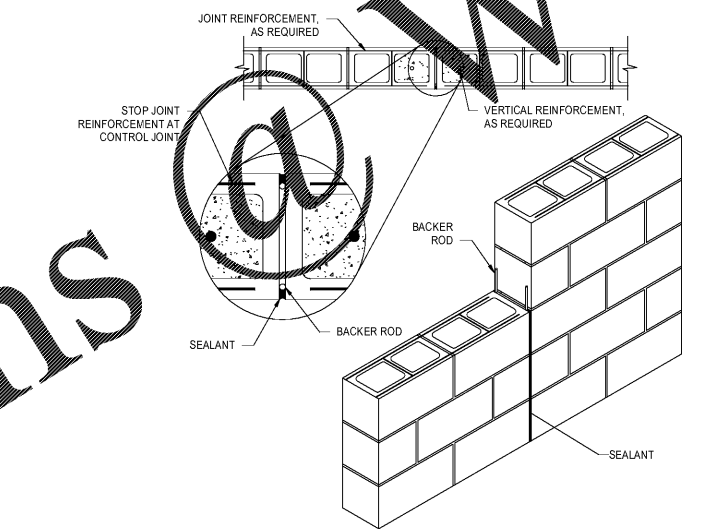
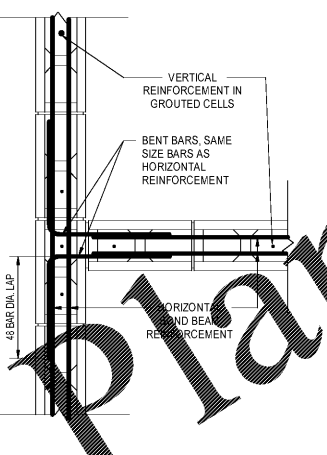
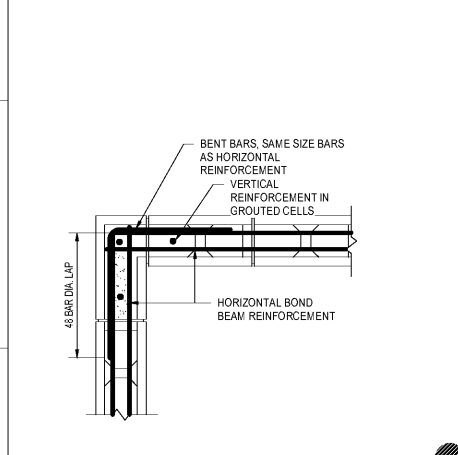
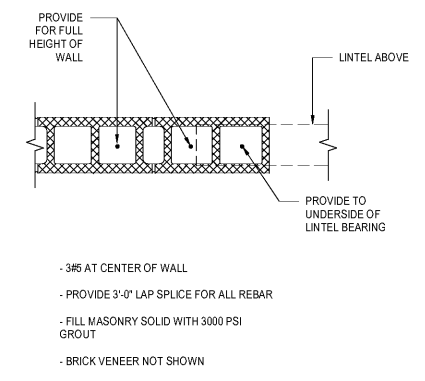
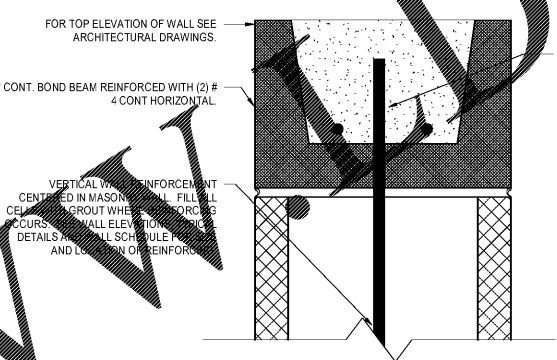
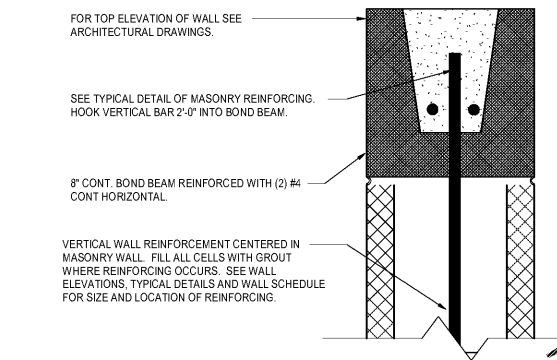
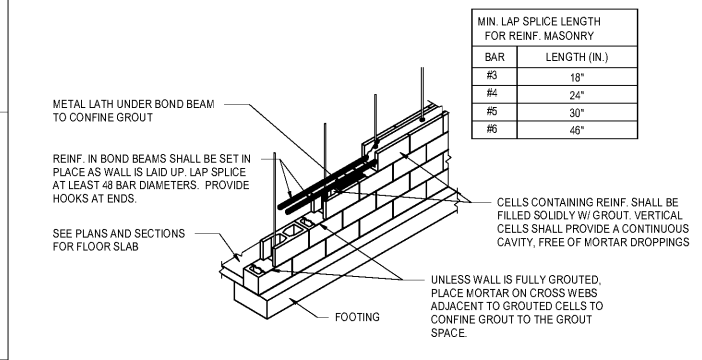
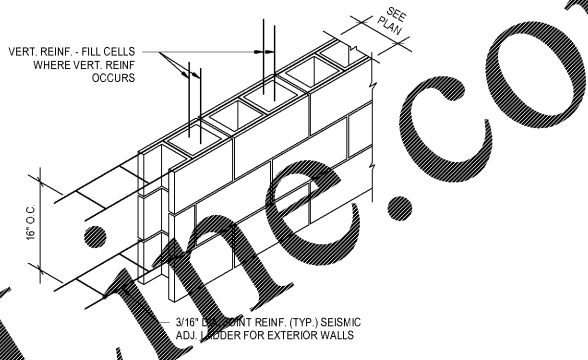
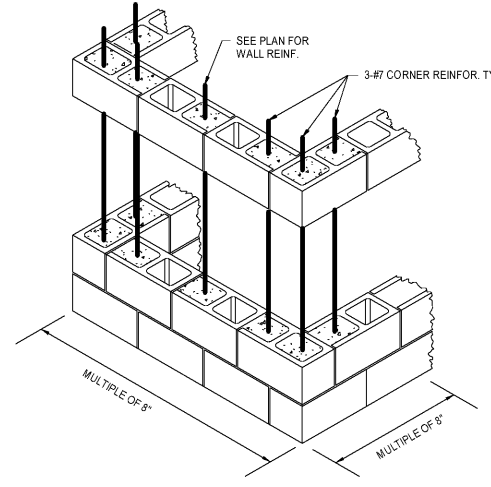
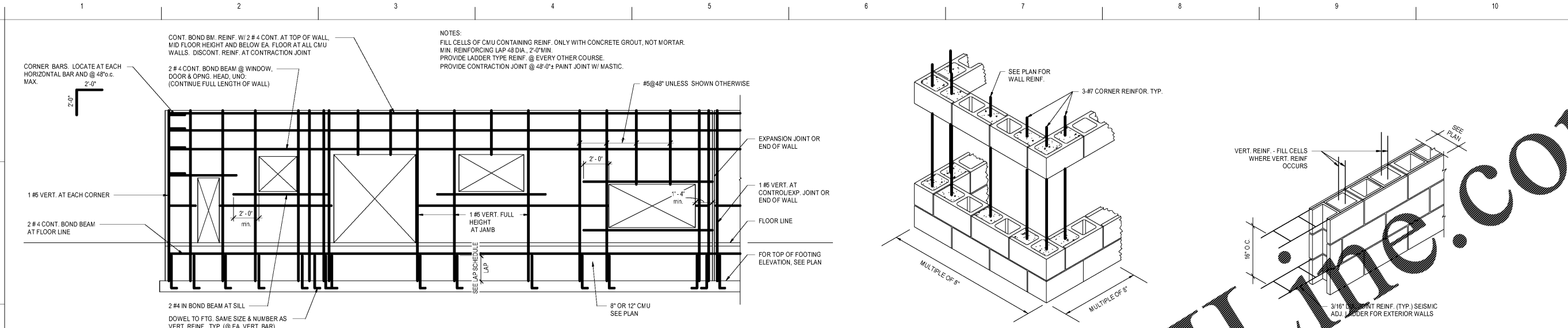


ALL DESIGNS, DRAWINGS AND SPECIFICATIONS DEPICTED ON THIS SHEET ARE PROPERTY OF COAST ARCHITECTS, INC. COPYRIGHT © 2018 ANY UNAUTHORIZED USE OR REPRODUCTION IS SUBJECT TO LEGAL PROSECUTION. POSSESSION IN ANY FORM CONSTITUTES ACCEPTANCE OF THESE CONDITIONS.



Order Plans

coast architects
671 St. Andrews Blvd., Charleston, SC 29407
Phone: 843.763.7064 Fax: 843.763.7061
www.coastarchitects.net

JOHNSON, MIRMIRAN & THOMPSON, INC.
No. 3943
SOUTH CAROLINA BOARD OF ARCHITECTURE

JOHNSON, MIRMIRAN & THOMPSON, INC.
No. 17731
SOUTH CAROLINA BOARD OF PROFESSIONAL ENGINEERS

JMT
860 HOUSTON WOODCUTT BLD., SUITE 100
MOUNT PLEASANT, SC 29544
843.556.2624
WWW.JMT.COM

BOATING CENTER REDEVELOPMENT - SWAIN BOATING CENTER
11 HAMMOND AVENUE
CITADEL
THE MILITARY COLLEGE OF SOUTH CAROLINA

Revisions		
Rev. No.	Rev. Description	Date

DRAWN BY: BE
CHECKED BY: CR
DATE: 06.01.2018

COAST PROJECT NO: 1722.00

TYPICAL DETAILS (CMU)

0.S503

BID DOCUMENTS