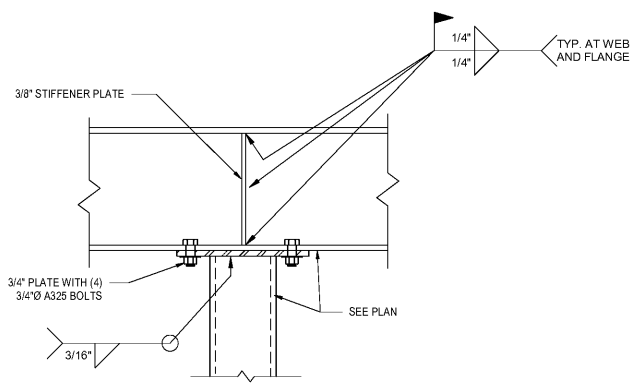
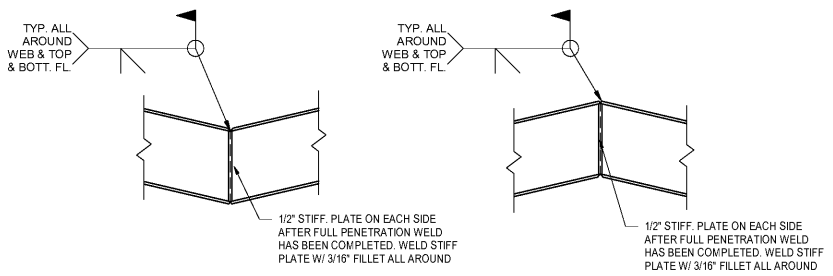


ALL DESIGNS, DRAWINGS AND SPECIFICATIONS DEPICTED ON THIS SHEET ARE PROPERTY OF COAST ARCHITECTS, INC. COPYRIGHT © 2018 ANY UNAUTHORIZED USE OR REPRODUCTION IS SUBJECT TO LEGAL PROSECUTION. POSSESSION IN ANY FORM CONSTITUTES ACCEPTANCE OF THESE CONDITIONS.

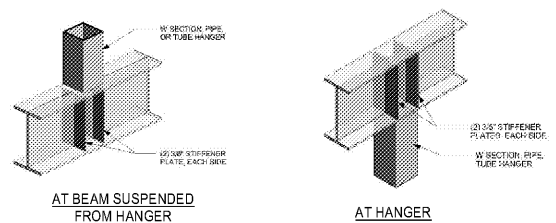
WWW.LDILine.com



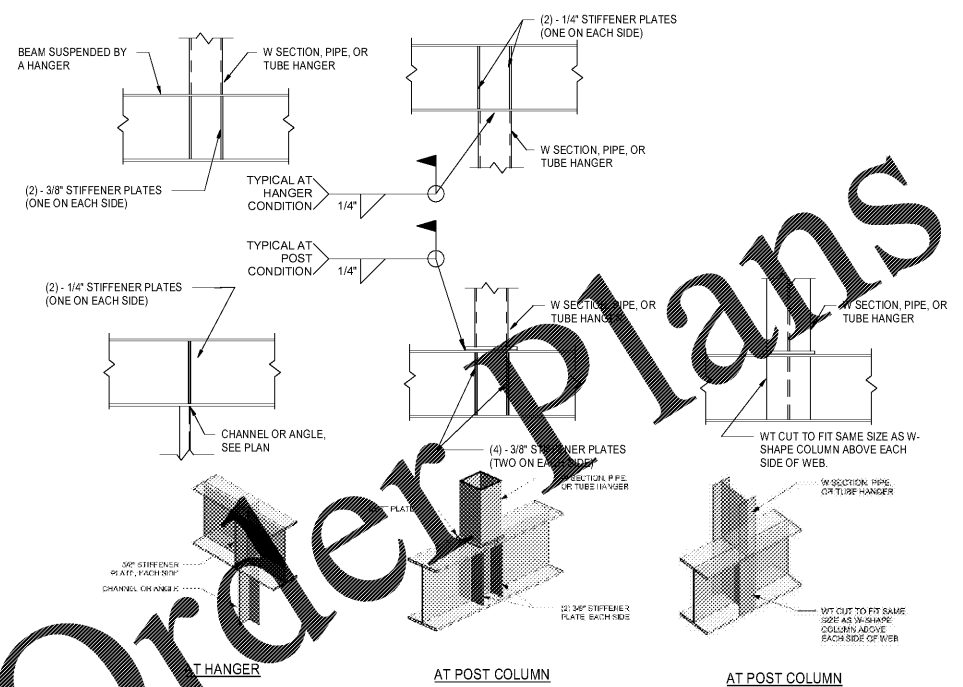
1 TYPICAL COLUMN TO UNDERSIDE OF BEAM CONNECTION  
0.S502  
1 1/2" = 1'-0"



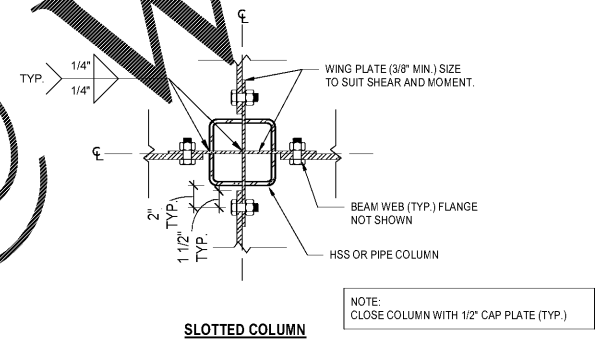
2 TYPICAL BEAM MOMENT SPLICE DETAIL  
0.S502  
1' = 1'-0"



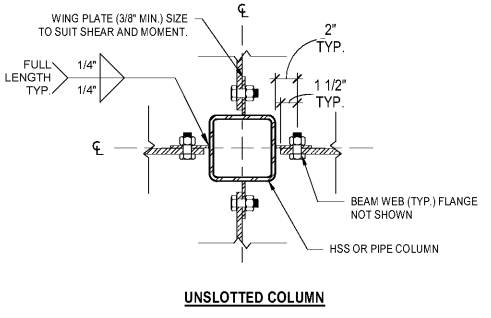
COLUMN SIZE	CAP PLATE
W8	3/4"x4"x8-1/2"
W10	3/4"x6"x10-1/2"
HSS 4x4	3/4"x6"x10-1/2"
HSS 6x6	3/4"x10"x15-1/2"
HSS 8x8 ROUND	3/4"x12"x17-1/2"
HSS 8x8	3/4"x12"x8-1/2"
HSS 8x6	3/4"x12"x8-1/2"
HSS 12x12	3/4"x12"x17-1/2"
HSS 12x8 ROUND	3/4"x12"x17"



3 TYPICAL BEAM STIFFENER AT STEEL HANGERS OR STEEL POSTS (U.N.O.)  
0.S502  
3/4" = 1'-0"



4 BEAM CONNECTION TO TUBE COLUMN  
0.S502  
1 1/2" = 1'-0"



UNSLOTTED COLUMN

**coast**  
architects  
671 St. Andrews Blvd., Charleston, SC 29407  
Phone: 843.763.7064 Fax: 843.763.7061  
www.coastarchitects.net

SOUTH CAROLINA  
JOHNSON, MIRMIRAN & THOMPSON, INC.  
No. 3943  
STATE OF SOUTH CAROLINA  
OFFICE OF ARCHITECTURE

SOUTH CAROLINA  
PROFESSIONAL ENGINEERING  
17731  
LOUIS F. REDDY  
STATE OF SOUTH CAROLINA  
OFFICE OF ARCHITECTURE

**JMT**  
850 HOUSTON WORTHINGTON BLD., SUITE 100  
MOUNT PLEASANT, SC 29544  
843.556.2624  
WWW.JMT.COM

BOATING CENTER REDEVELOPMENT -  
SWAIN BOATING CENTER  
11 HAMMOND AVENUE  
**CITADEL**  
THE MILITARY COLLEGE OF SOUTH CAROLINA

Revisions	
Rev. No.	Rev. Date

DRAWN BY: BE  
CHECKED BY: CR  
DATE: 06.01.2018

COAST PROJECT NO: 1722.00

TYPICAL DETAILS (STEEL)

**0.S502**

BID DOCUMENTS