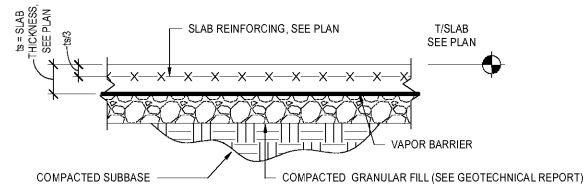
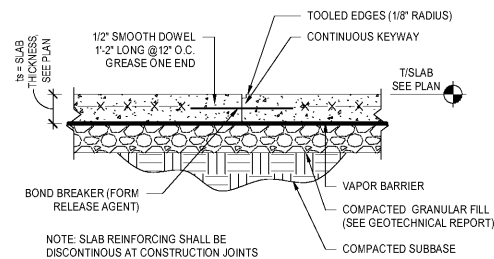


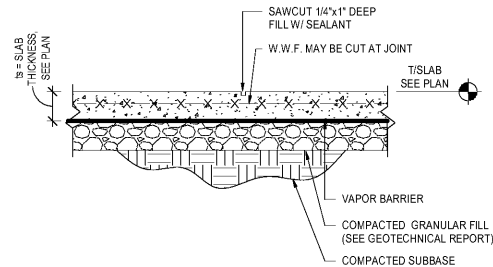
ALL DESIGNS, DRAWINGS AND SPECIFICATIONS DEPICTED ON THIS SHEET ARE PROPERTY OF COAST ARCHITECTS, INC. COPYRIGHT © 2018 ANY UNAUTHORIZED USE OR REPRODUCTION IS SUBJECT TO LEGAL PROSECUTION. POSSESSION IN ANY FORM CONSTITUTES ACCEPTANCE OF THESE CONDITIONS.



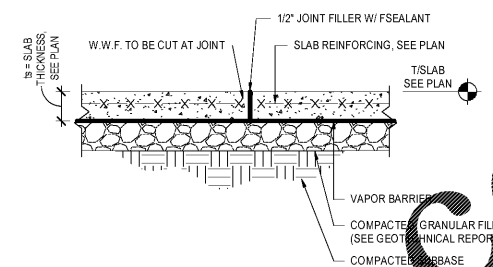
1 TYP. SLAB SECTION
0.S501 1' = 1'-0"



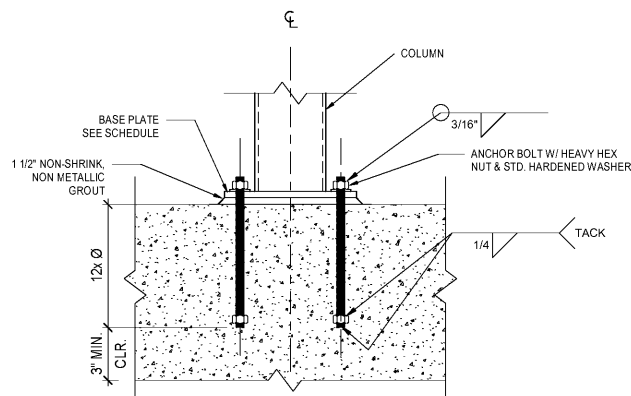
2 TYP. SLAB ON GRADE DETAIL - CONST. JOINT
0.S501 1' = 1'-0"



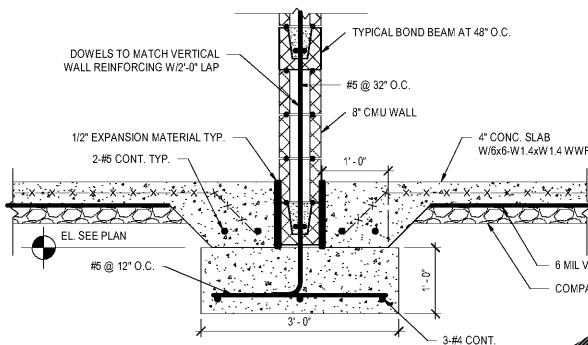
3 TYP. SLAB ON GRADE CONTROL JOINT
0.S501 1' = 1'-0"



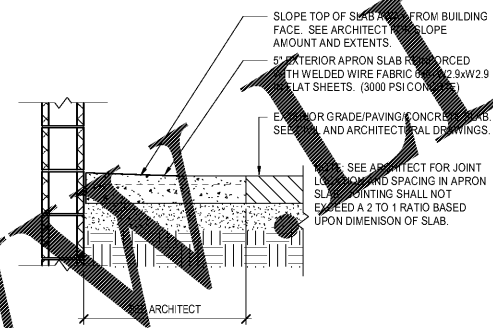
4 TYP. SLAB ON GRADE - ISOLATION JOINT
0.S501 1' = 1'-0"



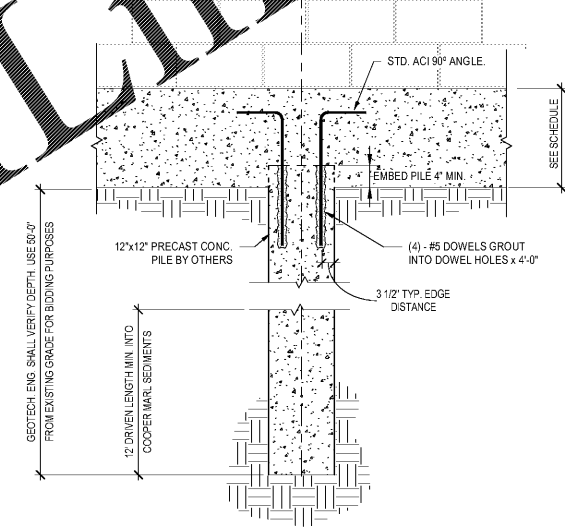
5 SECTION OF TYP. COL. BASE PLATE DETAIL - BOLTS
0.S501 1 1/2" = 1'-0"



6 TYP. INTERIOR WALL FOOTING SECTION
0.S501 3/4" = 1'-0"



7 TYPICAL APRON SLAB AT BUILDING PERIMETER
0.S501 3/4" = 1'-0"

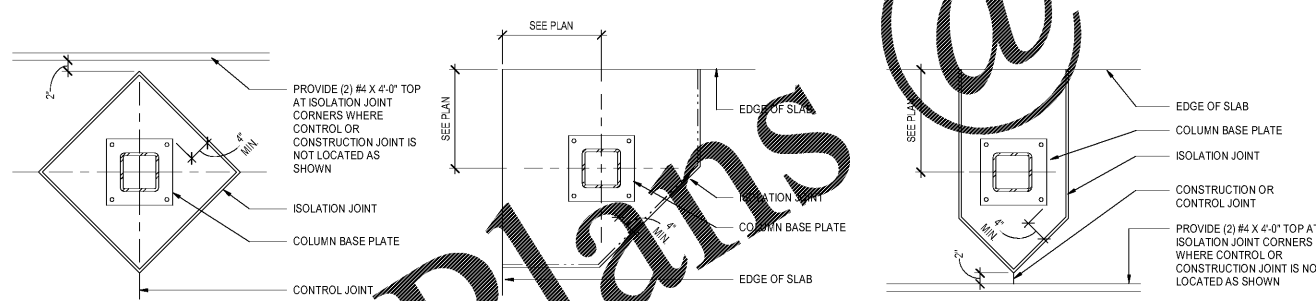


8 PILE/GRADE BEAM CONNECTION
0.S501 3/4" = 1'-0"

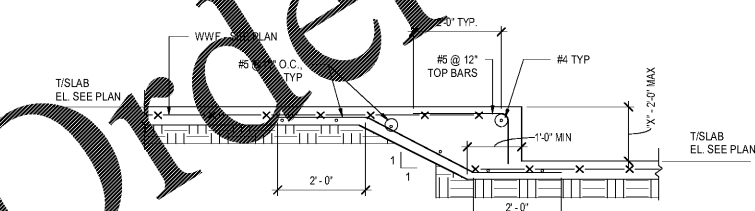
INTERIOR SLAB ISOLATION JOINT

SLAB ISOLATION JOINT AT CORNER

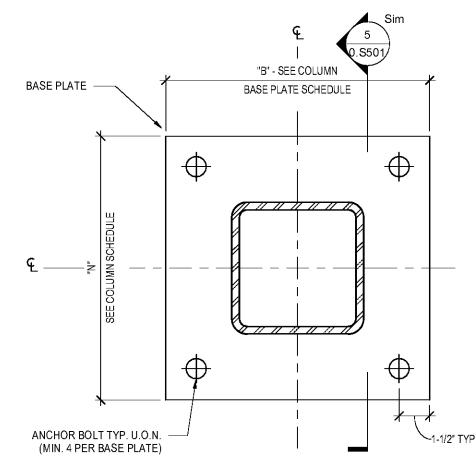
SLAB ISOLATION JOINT AT EDGE



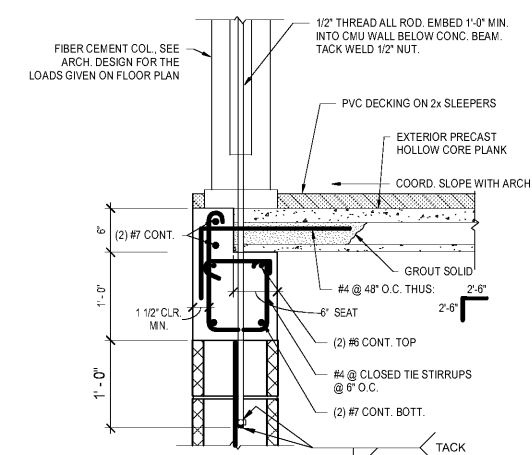
9 TYPICAL DETAIL OF SLAB ISOLATION JOINTS
0.S501 3/4" = 1'-0"



10 TYP. STEP IN SLAB ON GRADE
0.S501 1/2" = 1'-0"



11 TYP. COL. BASE PLATE DETAIL
0.S501 3" = 1'-0"

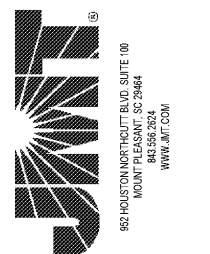
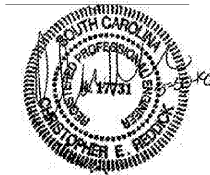
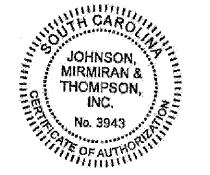


12 CONC. GIRDER / HOLLOWCORE BEAMS / FIBER CEMENT COL. BASE ATTACHMENT
0.S501 1" = 1'-0"

Order Plans

WWW.Online.COAST

coast
architects
671 St. Andrews Blvd., Charleston, SC 29407
Phone: 843.763.7064 Fax: 843.763.7061
www.coastarchitects.net



BOATING CENTER REDEVELOPMENT -
SWAIN BOATING CENTER



Revisions	
Rev. No.	Rev. Date

DRAWN BY: BE
CHECKED BY: CR
DATE: 06.01.2018

COAST PROJECT NO. 1722.00

TYPICAL DETAILS (FOUNDATION)

0.S501

BID DOCUMENTS