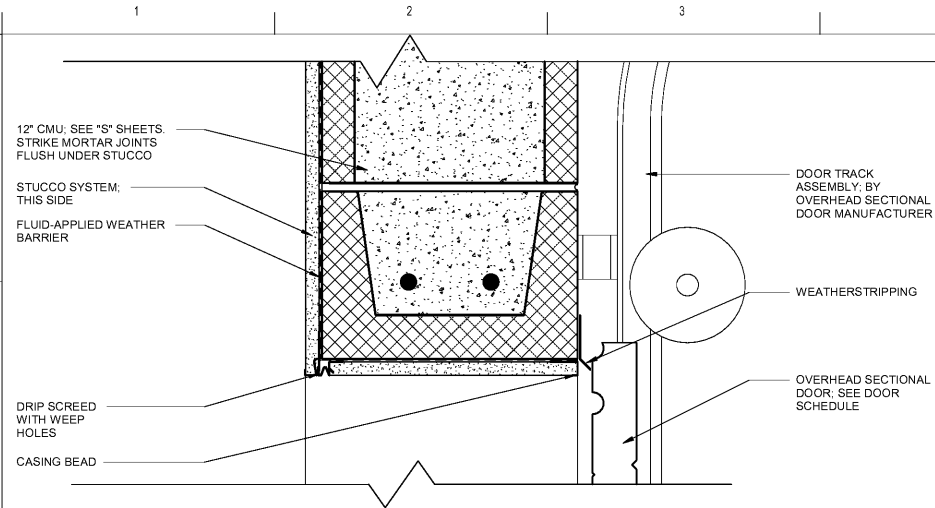
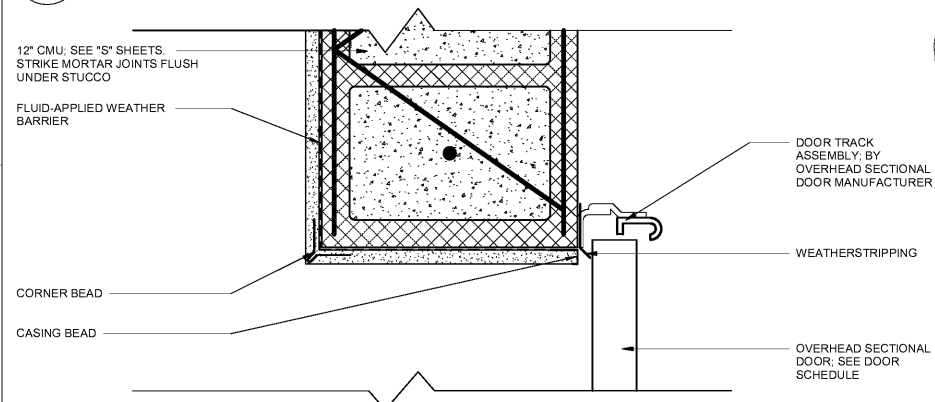


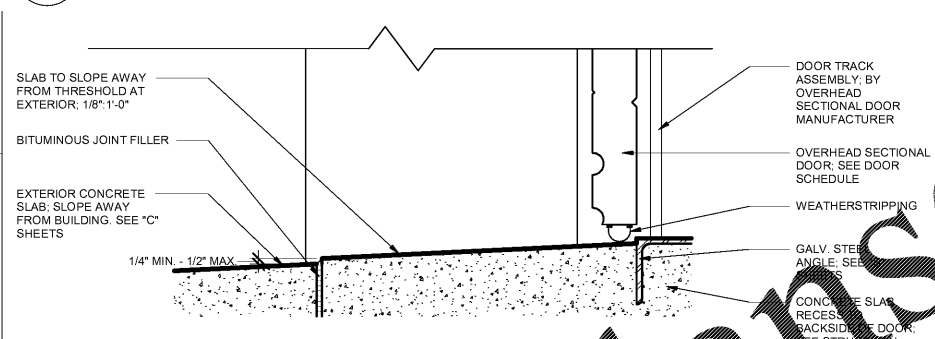
ALL DESIGNS, DRAWINGS AND SPECIFICATIONS DEPICTED ON THIS SHEET ARE PROPERTY OF COAST ARCHITECTS, INC. COPYRIGHT © 06/12/2018 ANY UNAUTHORIZED USE OR REPRODUCTION IS SUBJECT TO LEGAL PROSECUTION. POSSESSION IN ANY FORM CONSTITUTES ACCEPTANCE OF THESE CONDITIONS.



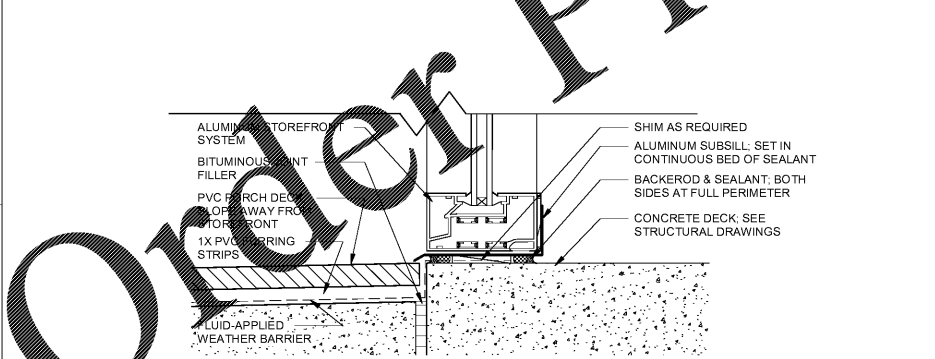
H6
0.A403
HEAD FOR OVERHEAD SECTIONAL DOOR AT CMU WALL
SCALE: 3" = 1'-0"



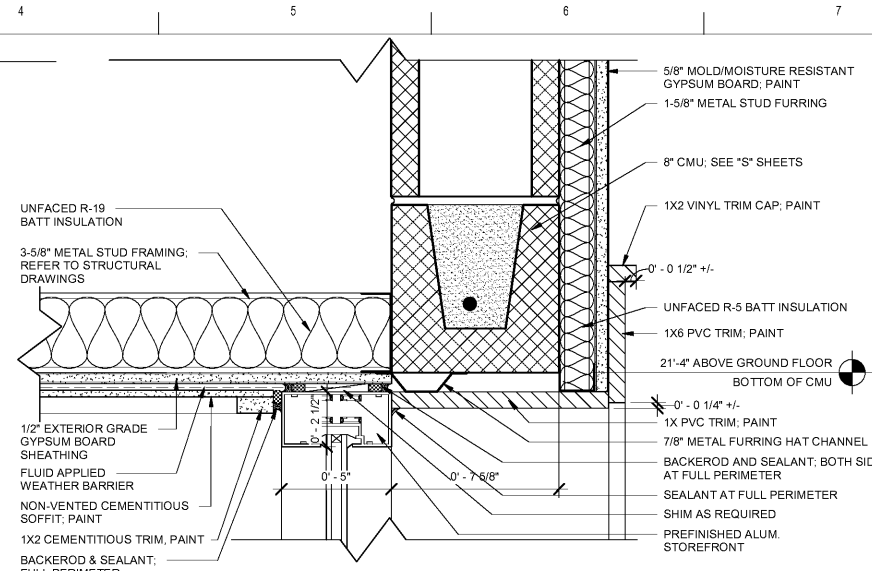
J5
0.A403
JAMB FOR OVERHEAD SECTIONAL DOOR AT CMU WALL
SCALE: 3" = 1'-0"



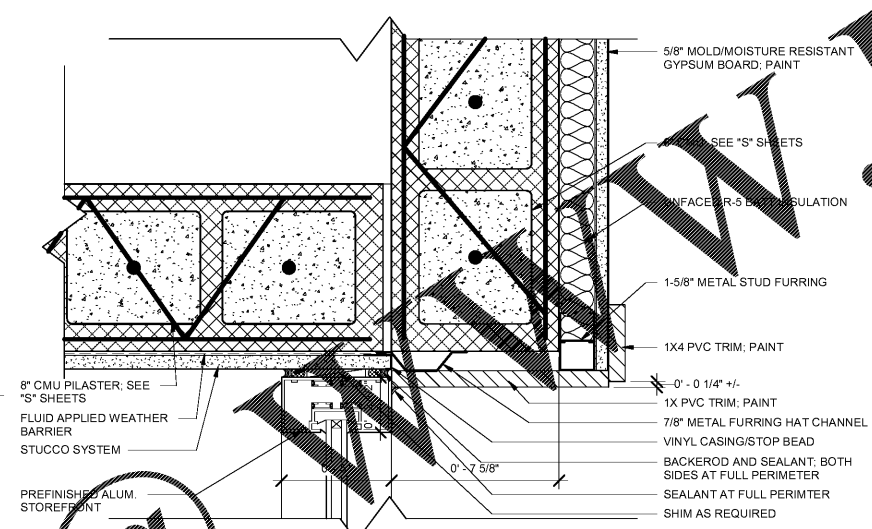
S6
0.A403
SILL FOR OVERHEAD SECTIONAL DOOR AT SLAB
SCALE: 3" = 1'-0"



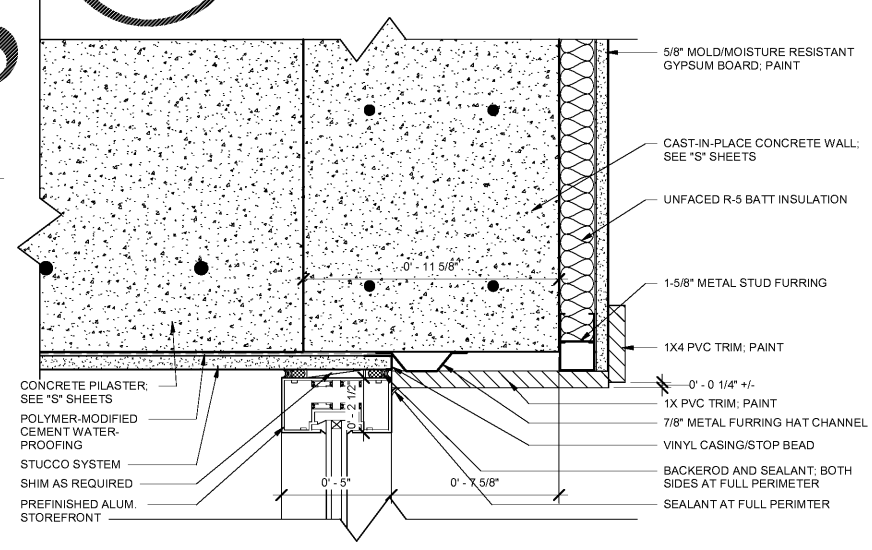
S5
0.A403
SILL FOR ALUM. STOREFRONT AT PORCH DECK
SCALE: 3" = 1'-0"



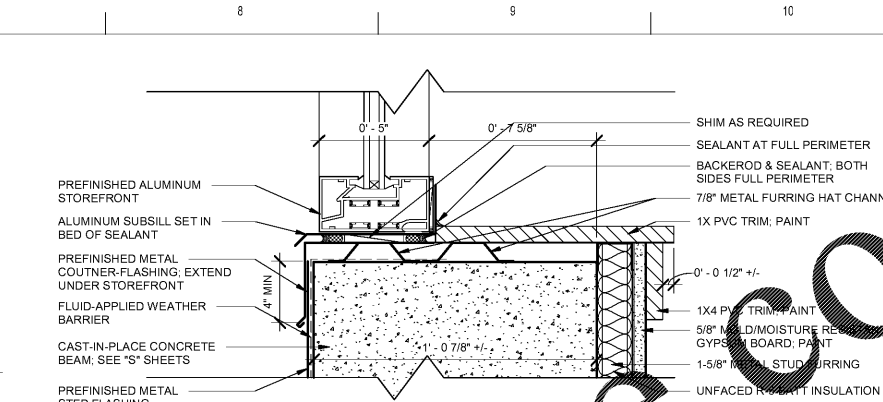
H7
0.A403
HEAD FOR ALUM. STOREFRONT AT BOAT HOUSE ENTRY
SCALE: 3" = 1'-0"



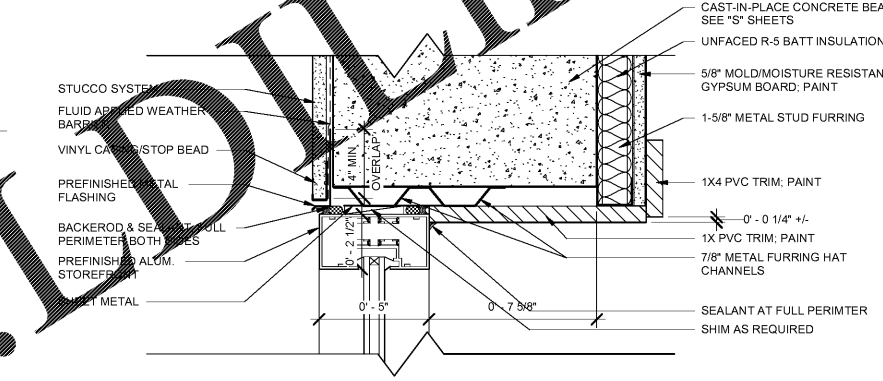
J7
0.A403
JAMB FOR ALUM. STOREFRONT AT 8\"/>



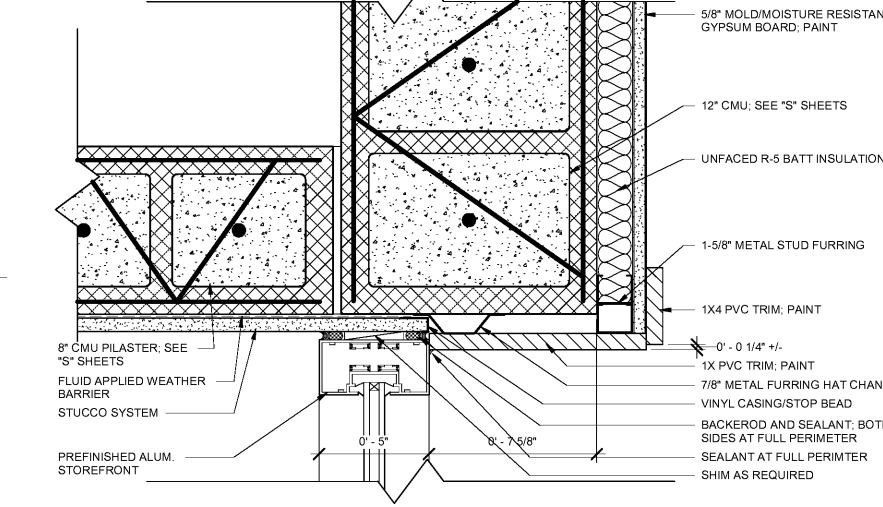
J6
0.A403
JAMB FOR ALUM. STOREFRONT AT CAST-IN-PLACE CONCRETE WALL
SCALE: 3" = 1'-0"



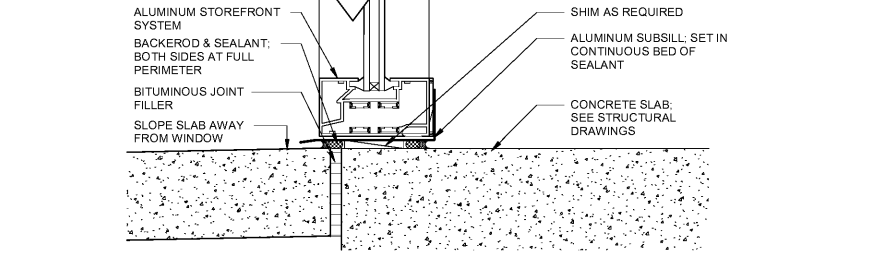
S8
0.A403
SILL FOR ALUM. STOREFRONT AT CAST-IN-PLACE CONCRETE BEAM
SCALE: 3" = 1'-0"



H8
0.A403
HEAD FOR ALUM. STOREFRONT AT CAST-IN-PLACE CONCRETE BEAM
SCALE: 3" = 1'-0"



J8
0.A403
JAMB FOR ALUM. STOREFRONT AT 12\"/>



S7
0.A403
SILL FOR ALUM. STOREFRONT AT EXTERIOR
SCALE: 3" = 1'-0"

Order Plans

WALL DOWLING

coast architects
671 St. Andrews Blvd Charleston, SC 29407
Phone: 843.763.7064 Fax: 843.763.7061
www.coastarchitects.net



BOATING CENTER REDEVELOPMENT - SWAIN BOATING CENTER
11 HAMMOND AVENUE
CHARLESTON, SC
409-9617-PG-C

Revisions		
Rev. No.	Rev. Date	

DRAWN BY: LWM
CHECKED BY: FAM
DATE: 06.01.2018
COAST PROJECT NO: 1722.00

DOOR & WINDOW DETAILS
0.A403

BID DOCUMENTS