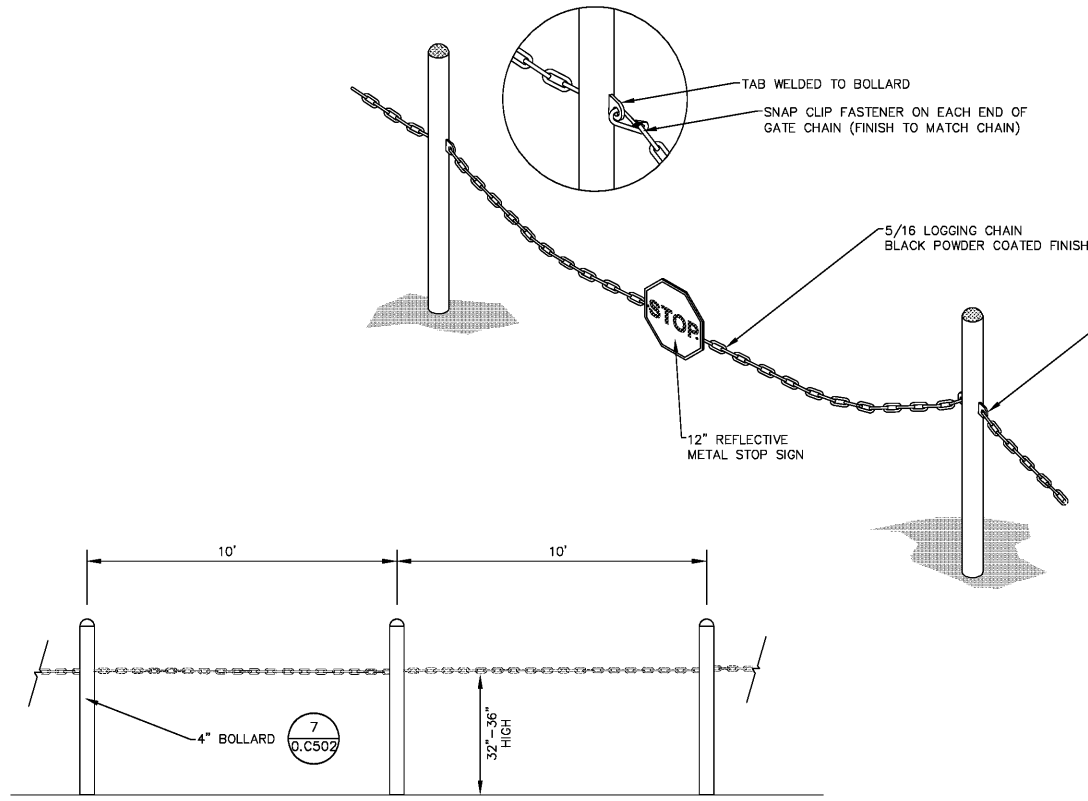


ALL DESIGNS, DRAWINGS AND SPECIFICATIONS DEPICTED ON THIS SHEET ARE PROPERTY OF COAST ARCHITECTS, INC. COPYRIGHT © 2017 ANY UNAUTHORIZED USE OR REPRODUCTION IS SUBJECT TO LEGAL PROSECUTION. POSSESSION IN ANY FORM CONSTITUTES ACCEPTANCE OF THESE CONDITIONS.

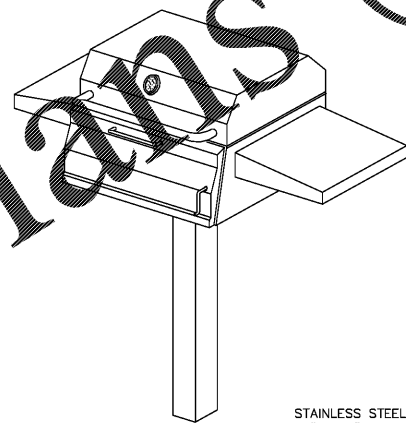


**BOLLARD CHAIN GATE AND FENCE**

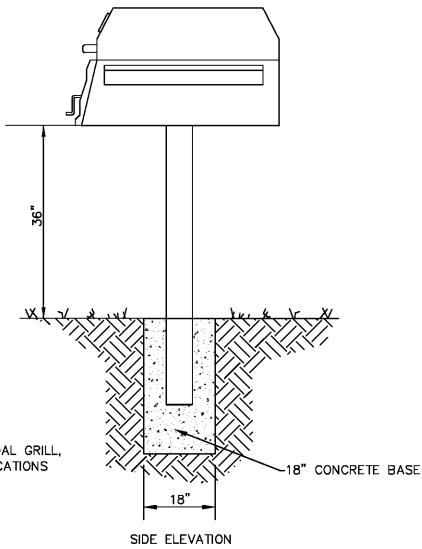
NOT TO SCALE

**SANITARY SEWER CONSTRUCTION NOTES**

- SANITARY SEWER LINES SHALL CONFORM TO "TEN STATES STANDARDS" WITH REGARD TO RELATION TO POTABLE WATER LINES. DUCTILE IRON PIPE (D.I.P.) SHALL BE UTILIZED WHENEVER THE FOLLOWING MINIMUM CONDITIONS CANNOT BE MAINTAINED:  
 A) MINIMUM 10 FT. HORIZONTAL SEPARATION PIPE TO PIPE BETWEEN WATER AND SEWER MAINS.  
 B) MINIMUM 18" VERTICAL SEPARATION PIPE TO PIPE BETWEEN WATER AND SEWER MAINS WITH WATER ABOVE THE SEWER.  
 C) MINIMUM OF 36" COVER OVER ALL SEWER MAINS.
- ALL 6" DIAMETER SANITARY SEWER SERVICE LINES SHALL BE CONSTRUCTED USING 6" DIAMETER LINES AT A MINIMUM GRADE OF 0.5%. SERVICES SHALL BE LAID AT A SUFFICIENT DEPTH TO ALLOW FOR VERTICAL CLEARANCE OF 18" FROM POTABLE WATER MAIN.
- THE UTILITY CONTRACTOR SHALL BE RESPONSIBLE FOR THE SPECIFIED MATERIAL TO ACHIEVE A BACKFILL COMPACTION OF 95% MODIFIED PROCTOR WITHIN THE TRENCHES REQUIRED FOR THE INSTALLATION UTILITY LINES.
- THE CONTRACTOR SHALL BE RESPONSIBLE FOR SETTING MANHOLE TOP ELEVATIONS CONSISTENT WITH THOSE SPECIFIED ON THE SANITARY SEWER PLAN AND PROFILE.
- P.V.C. PIPE SHALL CONFORM TO ASTM SPECIFICATIONS D3034-73 AND HAVE A MAXIMUM STANDARD DIMENSION RATIO OF (SDR-26), EXCEPT WHERE THE LAYING DEPTH IS LESS THAN 3' EARTH COVER, THEN THE CONTRACTOR SHALL USE DUCTILE IRON PIPE. P.V.C. PIPE MUST BE INSTALLED IN ACCORDANCE WITH ASTM D2321, LATEST REVISION. PRECAST CONCRETE MANHOLES MUST CONFORM TO ASTM C-478, LATEST REVISION. ALL DUCTILE IRON PIPE SHALL CONFORM TO ANSI A21.51 AND ASTM A-748, LATEST REVISION. ALL DUCTILE IRON PIPE SHALL HAVE A WORKING PRESSURE OF 200 PSIG AND SHALL BE OF MINIMUM THICKNESS AS SPECIFIED IN ANSI A21.51.
- ALL SEWER CONSTRUCTION WORK SHALL BE SUBJECT TO INSPECTION AND APPROVAL BY THE OWNER OR REPRESENTATIVE AND THE ENGINEER.
- FIELD LOCATIONS OF EXISTING UTILITIES THE CONTRACTOR SHALL CONTACT PUBLIC UTILITIES AT 1-800-922-0983 AND JUAN SANTIAGO 843.765.2522, MINIMUM OF THREE (3) DAYS PRIOR TO BEGINNING CONSTRUCTION.
- THE CONTRACTOR SHALL BE RESPONSIBLE FOR ALL WORK TO CONFORM TO THE APPROVED CONSTRUCTION SPECIFICATIONS, WHICH ARE AVAILABLE UPON REQUEST FROM THE ENGINEER.
- THE CONTRACTOR SHALL COMPLY WITH ALL FEDERAL, STATE, AND LOCAL SAFETY REGULATIONS AND CODES. SEWER AND WATER CONTRACTORS SHALL PROVIDE ADEQUATE SUPPORT FOR ALL TRENCH SIDE WALLS, BY THE USE OF SIDE-SLOPING OR TRENCH BOXES.

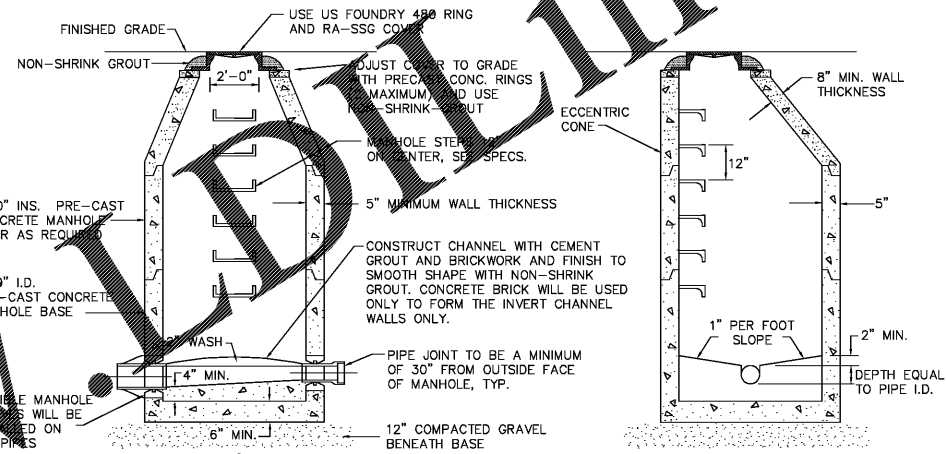


**STAINLESS STEEL POST-MOUNTED CHARCOAL GRILL, 24" X 18" COOKING SURFACE. SEE SPECIFICATIONS SECTION 12 93 00, SITE FURNISHINGS**



**BAR-B-QUE GRILL**

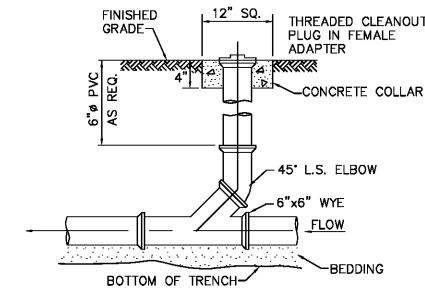
NOT TO SCALE



**PLAN VIEW**

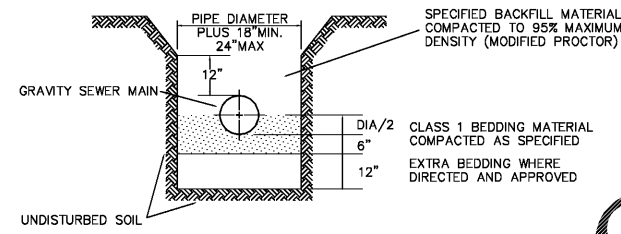
**SANITARY SEWER MANHOLE DETAIL**

NOT TO SCALE



**SANITARY SEWER CLEANOUT DETAIL**

NOT TO SCALE



**SEWER TRENCH DETAIL**

NOT TO SCALE

0.C505

**coast architects**  
 671 St. Andrews Blvd., Charleston, SC 29407  
 Phone: 843.765.7064 Fax: 843.765.7061  
 www.coastarchitects.net

**SOUTH CAROLINA**  
 PROFESSIONAL ENGINEERING & SURVEYING, INC.  
 No. C00343

**SOUTH CAROLINA**  
 PROFESSIONAL SURVEYOR  
 No. 2892  
 06/01/2018  
 JAY MORGAN LEWIS

**FORSBERG ENGINEERING, INC. AND SURVEYING, INC.**  
 1587 SAVANNAH HIGHWAY SUITE B  
 FLORENCE, SOUTH CAROLINA 29507  
 CHARLESTON, SOUTH CAROLINA 29417  
 (843) 571-2822 FAX (843) 571-5780  
 CIVIL ENGINEERING, SURVEYING AND LAND PLANNING

**BOATING CENTER REDEVELOPMENT  
 SWAIN BOATING CENTER  
 H09-9617-PG-C**

**CITADEL**  
 11 HAMMOND AVENUE  
 CHARLESTON, SC  
 THE HISTORICAL COLLEGE OF SOUTH CAROLINA

| Revisions |           |
|-----------|-----------|
| Rev. No.  | Rev. Date |
|           |           |

DRAWN BY: MSJ  
 CHECKED BY: DCF  
 DATE: 06-01-2018

COAST PROJECT NO: 1722.00

**SEWER UTILITY & SITE CONSTRUCTION DETAILS**

**0.C505**

JOB# 4727-1

BID DOCUMENTS