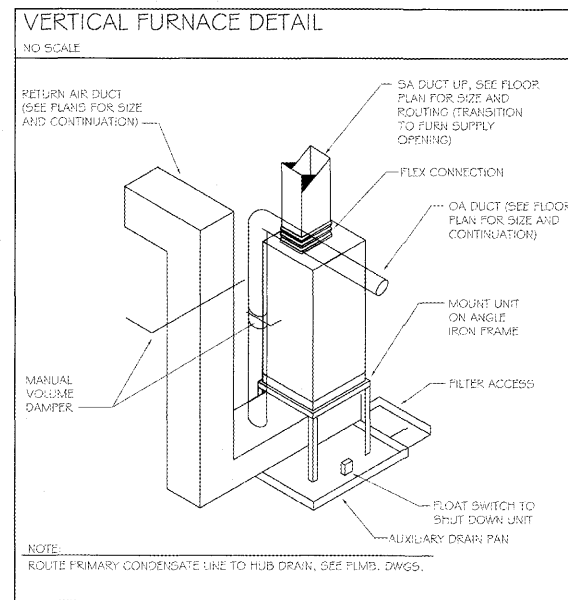
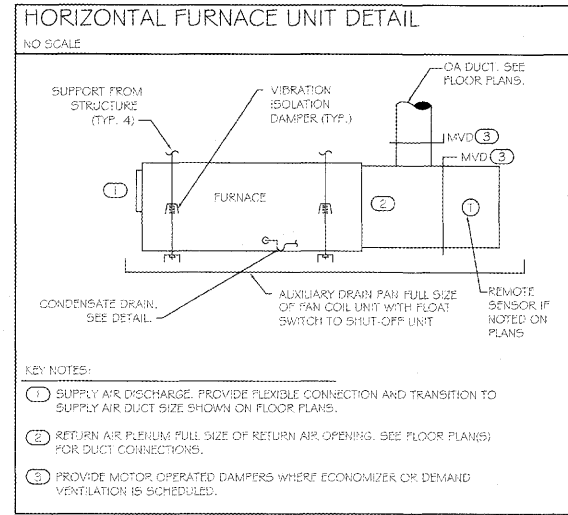
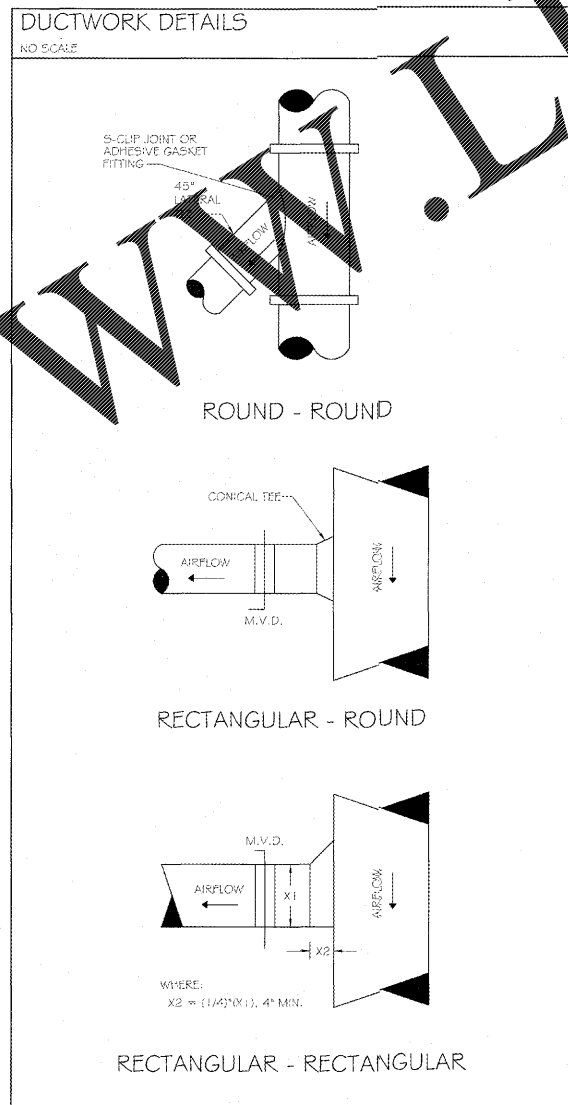
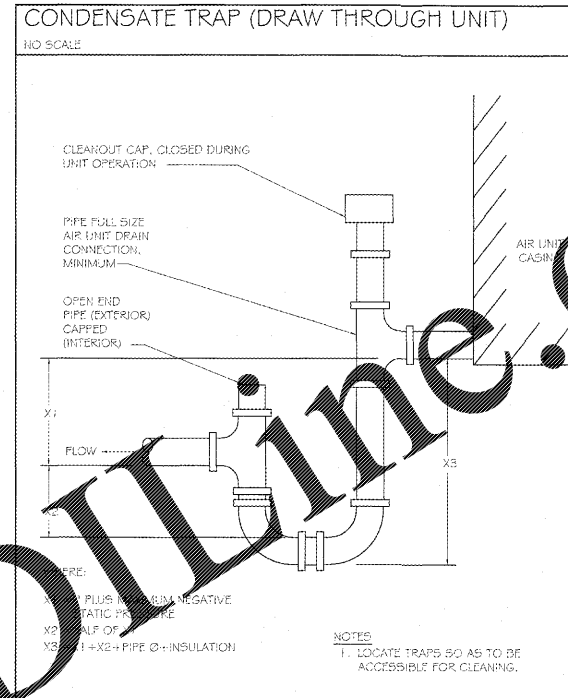
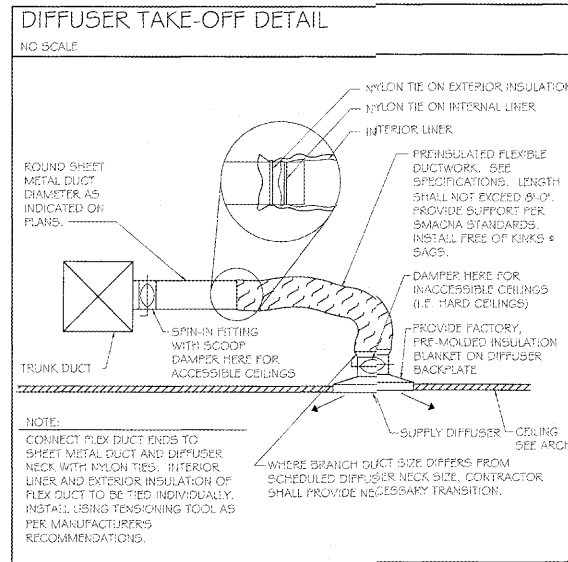
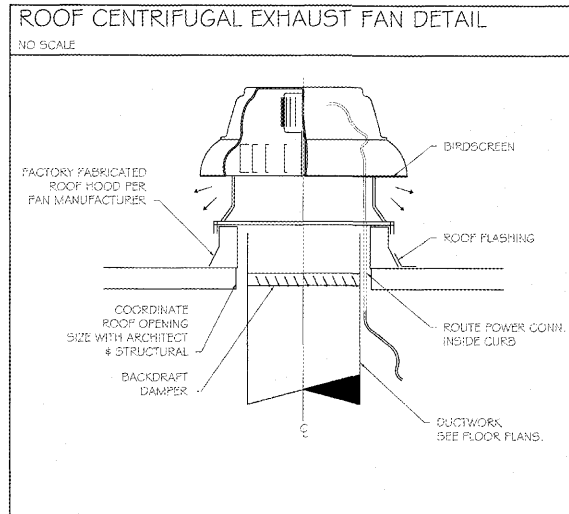


Order Plans

@

WWW.LDLINE.COM



MILLER

Architecture and Planning

Architecture - Interior Design - Renovation
Master Planning - Restoration - Commercial
Facilities Management - Residential - Industrial

6534 Spring Street, Douglasville, GA 30134
678-715-1586 | millerap.com | info@millerap.com

- #### GENERAL CONSTRUCTION NOTES:
- THE CONTRACTOR SHALL GUARANTEE TO THE OWNER ALL WORKMANSHIP AND MATERIALS, WHETHER FURNISHED BY THE CONTRACTOR OR SUB-CONTRACTORS, AGAINST DEFECTS FOR A MINIMUM PERIOD OF ONE (1) YEAR AFTER THE DATE OF FINAL ACCEPTANCE BY OWNER. FAILURE OF ANY SUCH ITEMS SHALL BE MADE GOOD BY THE CONTRACTOR AT THE CONTRACTOR'S OWN EXPENSE.
 - THE CONTRACTOR SHALL TAKE ALL NECESSARY PRECAUTIONS TO PROTECT FROM DAMAGE OR DESTRUCTION ALL EXISTING MATERIALS AND FINISHES TO REMAIN IN ADJACENT OR NEARBY AREAS. THE CONTRACTOR SHALL REPLACE ANY DAMAGED OR DESTROYED ITEMS BY OPERATIONS UNDER THIS CONTRACT.
 - PRODUCTS, TRADE NAMES AND/OR MANUFACTURERS NOTED WITHIN THESE DOCUMENTS ARE PROVIDED TO ESTABLISH A STANDARD OF QUALITY. UNLESS OTHERWISE INDICATED, APPROVED EQUAL PRODUCTS OF ANOTHER MANUFACTURER MAY BE USED WITH THE WRITTEN PERMISSION OF THE ARCHITECT. IT IS THE RESPONSIBILITY OF THE CONTRACTOR AND SUPPLIER TO PROVE TO THE ARCHITECT BEFORE THE DATE OF BID THAT THEIR PRODUCT IS EQUAL TO OR BETTER THAN THOSE PRODUCTS SPECIFIED. IF AN "OR EQUAL" PRODUCT IS USED, IT IS THE RESPONSIBILITY OF THE CONTRACTOR TO MAKE ANY NECESSARY CHANGES TO THE STRUCTURE AND INTERIOR LAYOUT AT THE CONTRACTOR'S OWN EXPENSE, AFTER OBTAINING THE ARCHITECT'S ACCEPTANCE OF SUCH CHANGES.
 - THE CONTRACTOR SHALL COORDINATE WITH THE OWNER A DESIGNATED SITE OR SITES FOR STORAGE OF MATERIALS AND EQUIPMENT FOR THE DURATION OF THE CONSTRUCTION CONTRACT.
 - DIMENSIONS SHOWN ON THE DRAWINGS ARE TO ROUGH SURFACES, EXCLUSIVE OF FINISH MATERIALS, EXCEPT AS NOTED OTHERWISE. DO NOT SCALE THE DRAWINGS.
 - THE CONTRACTOR SHALL COMPLY WITH ALL RELEVANT AND CURRENTLY ENFORCED BUILDING CODES BY ALL GOVERNING JURISDICTIONS, INCLUDING BUT NOT LIMITED TO ALL PROVISIONS OF THE AMERICAN WITH DISABILITIES ACT.

The contractor shall be responsible for all fees and obtaining all necessary and relevant permits and approvals relating to staging and construction of this project. The contractor shall comply with all relevant building, construction and work safety codes. The contractor shall verify all dimensions and elevations in the field before starting work and immediately report to the architect any discrepancies discovered.

PROFICIENT
ENGINEERING
6991 Peachtree Industrial Blvd. Suite 710
Norcross, Georgia 30092
404.332.9796
PROJECT # 111532

GEORGIA REGISTERED PROFESSIONAL ENGINEER
No. 034408
WINNER LYNN DOWNS

DOUGLAS COUNTY FIRE STATION 3

CLIENT: Owner

DRAWING TITLE: DETAILS

ISSUANCE: DATE: 06/11/17 DRAWING NO: M-02

COMMISSION: Project

DRAWN BY: AS