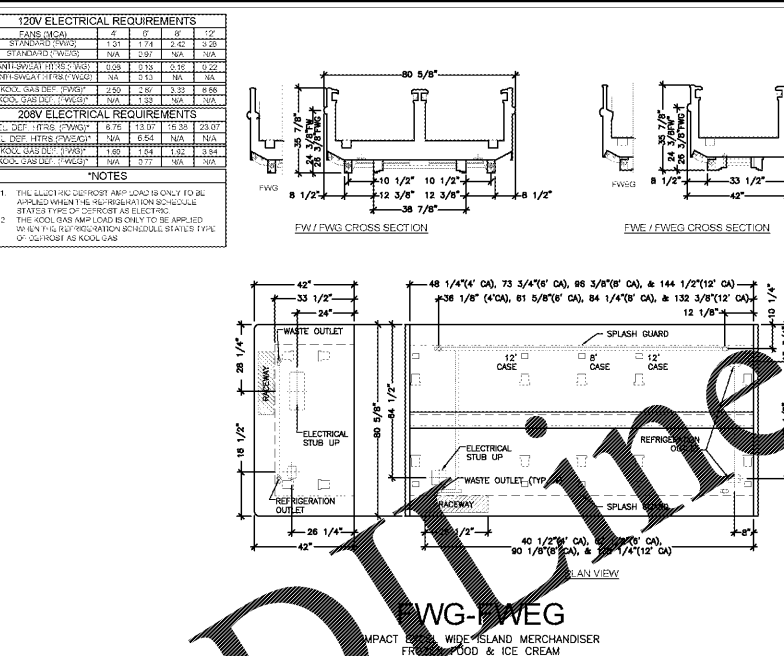


COLD WELL CASES

Model	Width (in)	Depth (in)	Height (in)	Weight (lb)
FC-13R-583	36	18	34	100
FC-13R-583	48	18	34	150
FC-13R-583	60	18	34	200

SOUP WELL CASE

Model	Width (in)	Depth (in)	Height (in)	Weight (lb)
FC-13R-583	36	18	34	100
FC-13R-583	48	18	34	150
FC-13R-583	60	18	34	200



HUSMANN
U.C. #644405

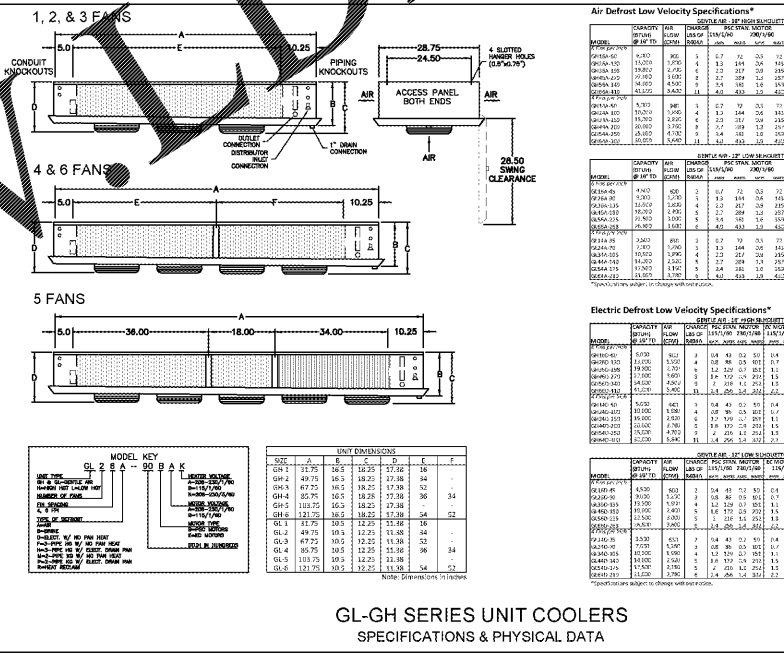
13770 RAMONA AVENUE
CHINO, CA 91710
PHONE (909) 590-9110
FAX (909) 590-9113

SALES PERSON
ROZCO

PROJECT MANAGER

REVISIONS

NO.	DESCRIPTION
1	ISSUED FOR PERMIT
2	REVISED PER COMMENTS



GL-GH SERIES UNIT COOLERS
SPECIFICATIONS & PHYSICAL DATA

1, 2, & 3 FANS

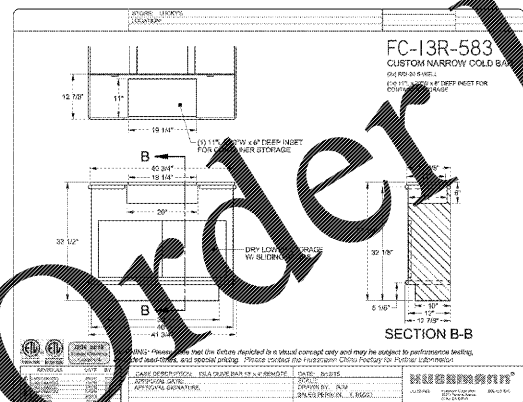
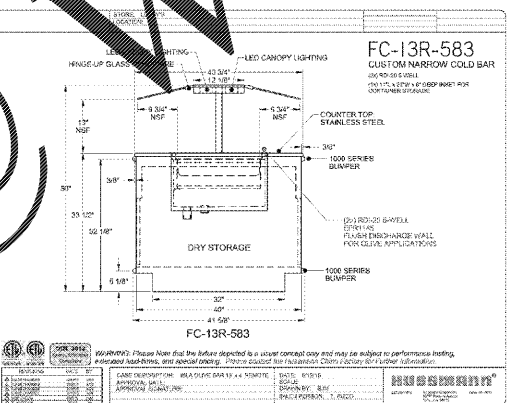
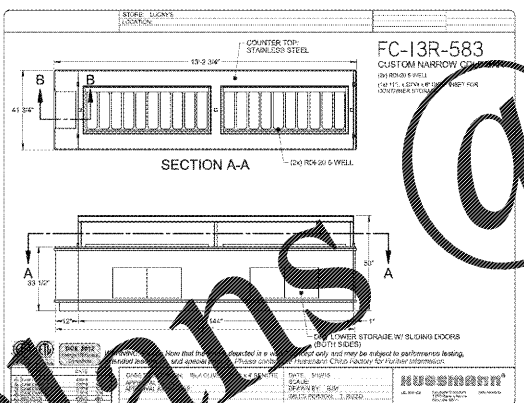
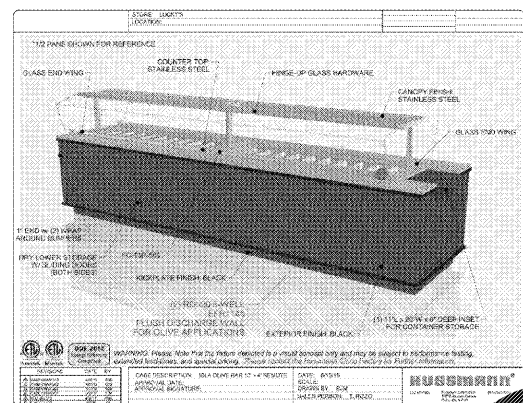
Model	Capacity (lb/day)	Capacity (kg/day)	Capacity (kg/hr)
FC-13R-583	1.5	0.68	0.28
FC-13R-583	3.0	1.36	0.56
FC-13R-583	4.5	2.04	0.84

4 & 6 FANS

Model	Capacity (lb/day)	Capacity (kg/day)	Capacity (kg/hr)
FC-13R-583	6.0	2.72	1.12
FC-13R-583	9.0	4.08	1.68
FC-13R-583	12.0	5.44	2.24

5 FANS

Model	Capacity (lb/day)	Capacity (kg/day)	Capacity (kg/hr)
FC-13R-583	7.5	3.40	1.39
FC-13R-583	10.5	4.76	1.94
FC-13R-583	13.5	6.12	2.49

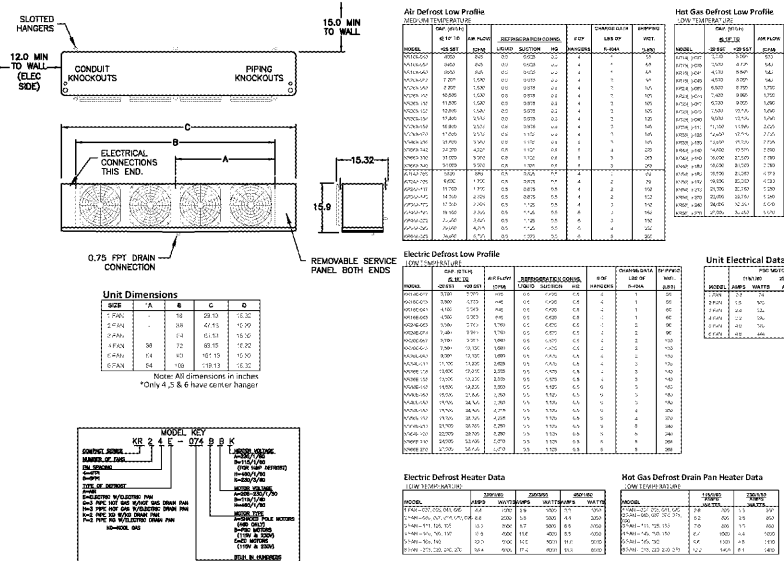


REFRIGERATION DATA CONTINUED

Model	Capacity (lb/day)	Capacity (kg/day)	Capacity (kg/hr)
FC-13R-583	15.0	6.80	2.79
FC-13R-583	18.0	8.16	3.34
FC-13R-583	21.0	9.52	3.89

UNIT DIMENSIONS

Model	Width (in)	Depth (in)	Height (in)	Weight (lb)
FC-13R-583	36	18	34	100
FC-13R-583	48	18	34	150
FC-13R-583	60	18	34	200



Hot Gas Defrost Drain Pan Heater Data

Model	Capacity (lb/day)	Capacity (kg/day)	Capacity (kg/hr)
FC-13R-583	1.5	0.68	0.28
FC-13R-583	3.0	1.36	0.56
FC-13R-583	4.5	2.04	0.84

Order Plans @ WWW.LUCKY'S MARKET AT NAPLES CENTRE THE PROMENADE AT NAPLES CENTRE NEW STORE 6424 NAPLES BLVD., SUITE 001, NAPLES, FL