

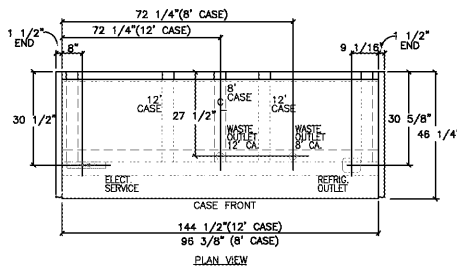
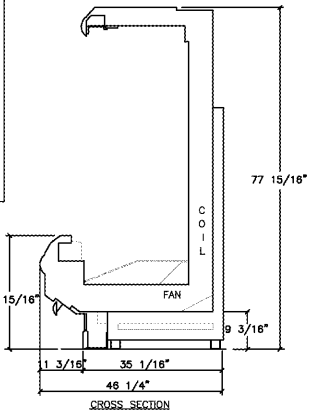
120V ELECTRICAL REQUIREMENTS
M5/M5E

FANS (MCA)	8"	12"
STANDARD	3.0	5.1
E.E.F.	1.1	1.6

STANDARD LIGHTING
1 ROW CANOPY 0.5 0.8

OPTIONAL LIGHTING
1 ROW CANOPY
& 1 ROW RAIL 1.0 1.5
2 ROWS CANOPY 1.0 1.5
2 ROW CANOPY
& 1 ROW RAIL 1.5 2.3

OPTIONAL SHELF LIGHTING
1 ROW SHELVES 0.5 .08
2 ROWS SHELVES 1.0 1.5
3 ROWS SHELVES 1.5 2.3
4 ROWS SHELVES 2.0 3.1



M5/M5E
MULTI-DECK MEAT
MERCHANDISERS

3/19/02PMA

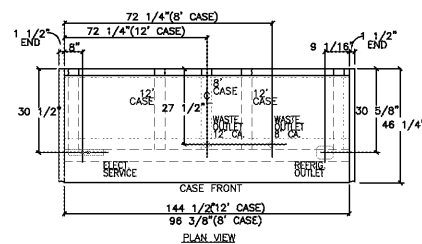
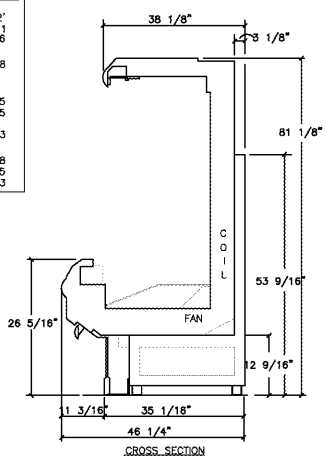
120V ELECTRICAL REQUIREMENTS
P4/P4E

FANS (MCA)	8"	12"
STANDARD	3.0	5.1
E.E.F.	1.1	1.6

STANDARD LIGHTING
1 ROW CANOPY 0.5 0.8

OPTIONAL LIGHTING
1 ROW CANOPY
& 1 ROW RAIL 1.0 1.5
2 ROWS CANOPY 1.0 1.5
2 ROW CANOPY
& 1 ROW RAIL 1.5 2.3

OPTIONAL SHELF LIGHTING
1 ROW SHELVES 0.5 .08
2 ROWS SHELVES 1.0 1.5
3 ROWS SHELVES 1.5 2.3



P4/P4E
MULTI-DECK PRODUCE
MERCHANDISERS

4/25/02PMA

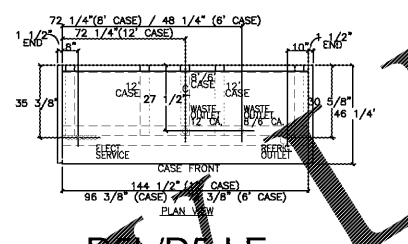
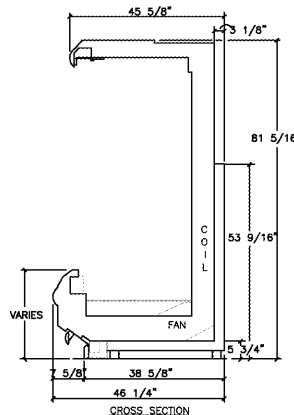
120V ELECTRICAL REQUIREMENTS
D5/D5E/DEL/DEL

FANS (MCA)	8"	12"	
STANDARD	1.60	1.80	2.30
E.E.F.	0.86	0.96	1.34

STANDARD LIGHTING
1 ROW CANOPY 0.51 0.51 0.77

OPTIONAL LIGHTING
1 ROW CANOPY
& 1 ROW RAIL 1.02 1.02 1.54
2 ROWS CANOPY 1.02 1.02 1.54
2 ROW CANOPY
& 1 ROW RAIL 1.53 1.53 2.31

OPTIONAL SHELF LIGHTING
1 ROW SHELVES 0.51 0.51 0.77
2 ROWS SHELVES 1.02 1.02 1.54
3 ROWS SHELVES 1.53 1.53 2.31
4 ROWS SHELVES 2.04 2.04 3.08



D5/D5E/DEL/DEL
MULTI-DECK SERVICE DELI
MERCHANDISERS

3/22/07PMA(0300)

120V ELECTRICAL REQUIREMENTS
Q3-DV

FANS (FLA)	4 FT	5 FT	6 FT	8 FT	10 FT	12 FT
STANDARD	0.44	0.84	0.88	0.88	0.88	1.33
ANTISWEAT HTRS*	2.78	3.47	4.17	5.66	6.90	8.33
CONV. RECEPT**	15.0	25.0	15.0	25.0	15.0	15.0

STANDARD TS CANOPY LIGHTING
1 0.39 1 0.47 1 0.83 0.78 1.04 1.17

OPTIONAL LED CANOPY LIGHTING
OPT. LED LIGHTS 0.17 0.18 0.22 0.33 0.36 0.50

OPTIONAL TS SHELF LIGHTING
OPT. TS SHELF LIGHTS 0.52 0.85 0.78 1.04 1.30 1.56

OPTIONAL LED SHELF LIGHTING
OPT. LED SHELF LIGHTS 0.22 0.28 0.33 0.44 0.55 0.67

OPTIONAL LEDGE LIGHTING
OPT. LEDGE LIGHTS 0.23 0.32 0.39 0.52 0.65 0.78

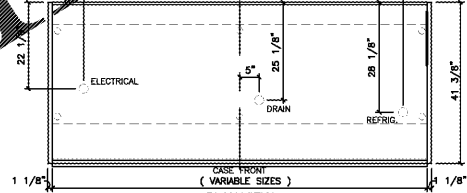
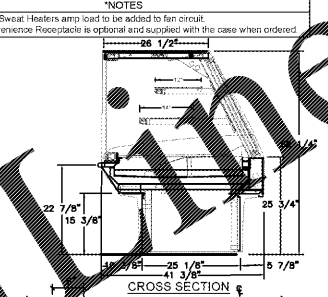
REFRIGERATION DATA

Note: Specifications and Design subject to change during engineering.

CONDENSER	CONDENSER	CONDENSER
Discharge Air (F)	PAR	CONV
Evaporator (F)	24	24
Unit Rating (F)	22	22

Capacity
4 ft 1260
5 ft 1500
6 ft 1800
8 ft 2400
10 ft 3000
12 ft 3600

Velocity
4 ft 0.8
5 ft 1.0
6 ft 1.2
8 ft 1.5
10 ft 2.0
12 ft 2.4

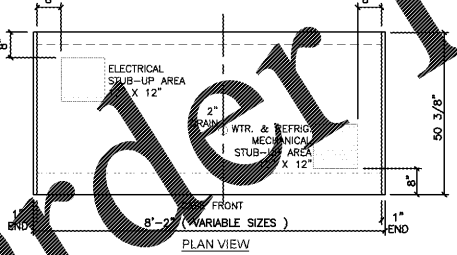
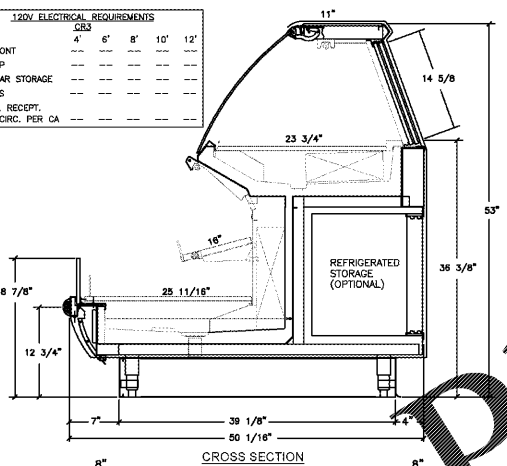


Q3-DV
MULTI-DECK SERVICE DELI STRAIGHT
GLASS MERCHANDISER

11/9/16PMA(042410)

120V ELECTRICAL REQUIREMENTS
CR3-D

FANS	4"	6"	8"	10"	12"
FRONT	---	---	---	---	---
TOP	---	---	---	---	---
REAR STORAGE	---	---	---	---	---
LIGHTS	---	---	---	---	---
CONV. RECEPT.	---	---	---	---	---
1 CIRC. PER CA	---	---	---	---	---



CR3-D
REFRIGERATED SERVICE AND
SELF SERVICE MERCHANDISER

8/11/08PMA

120V ELECTRICAL REQUIREMENTS
SMGT

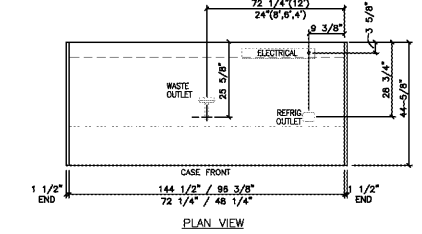
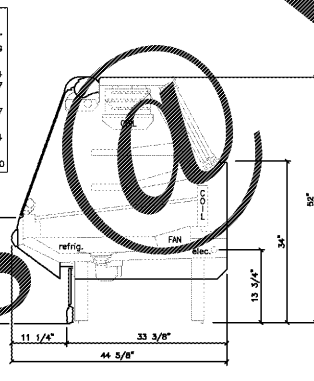
FANS (MCA)	4"	5"	8"	12"
STANDARD	0.8	1.3	1.3	1.9

STANDARD LIGHTING
2 ROW CANOPY 0.5 1.0 1.0 1.4
1 ROW RAIL 0.5 0.5 0.5 0.7

OPTIONAL LIGHTING
1 ROW LEDGE 0.5 0.5 0.5 0.7

OPTIONAL SHELF LIGHTING
2 ROWS SHELVES 1.0 1.0 1.4

CONV. RECEPT.
1 CIRC. PER CA 15.0 15.0 15.0 15.0



SMGT
SERVICE DELI/MEAT/SEAFOOD
MERCHANDISER

7/14/03PMA

120V ELECTRICAL REQUIREMENTS

FANS (MCA)	1DR	2DR	3DR	4DR	5DR
STANDARD	NA	3.0	4.50	6.00	6.00
ANTISWEAT HTRS*	NA	NA	NA	NA	NA
DRAIN HEATERS*	NA	0.63	1.26	2.50	2.57

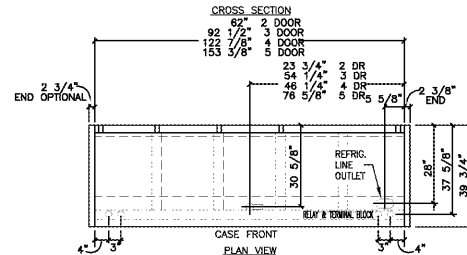
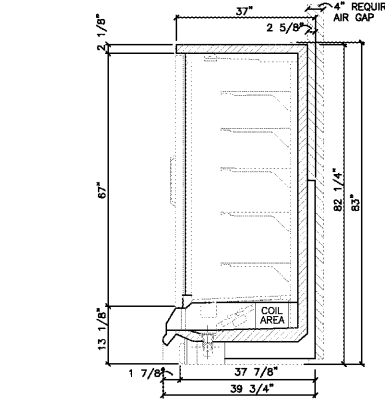
STANDARD LED LIGHTING
ECO SHINE II (22W) NA 0.36 0.54 0.72 0.90

OPTIONAL LED LIGHTING
ECO SHINE II PLUS (24W) NA 1.35 1.80 2.25 2.70
ECO SHINE II (22W) NA 0.45 0.68 0.90 1.13
ECO SHINE II (16W) NA 0.27 0.40 0.53 0.67
GE ILLUMINATION NA 0.30 0.45 0.60 0.75

208V ELECTRICAL REQUIREMENTS
ELECT. DEF. HTRS* NA 6.72 10.08 13.44 16.82

*NOTES
1. DRAIN HEATERS DO NOT RUN WHEN FANS ARE OPERATING.
2. THE ELECTRIC DEFROST AMP LOAD IS ONLY TO BE APPLIED WHEN THE REFRIGERATION SCHEDULE STATES TYPE OF DEFROST AS ELECTRIC.

HUSSMANN RECOMMENDS AGAINST FRAME HEATER CYCLING WITH INNOVATOR II DOORS TO PREVENT DOOR SEALS FROM FREEZING TO THE FRAMES AND TEARING.



RLN-INNOVATOR
NARROW REACH-IN (INNOV. DRS.) MERCH'S.
FROZEN FOOD AND ICE CREAM

REFRIGERATION DATA

Note: This data is based on store temperature and humidity that does not exceed 72°F and 60% RH.

CONDENSER	CONDENSER	CONDENSER
Discharge Air (F)	5	15
Evaporator (F)	-11	-19
Unit Rating (F)	-4	-22

Defrost Data
Frequency (hr) 24 24
Defrost Water (lb/day) 1.2 1.2

Electric
Temp Term (F) 48 48
Fail-safe (minutes) 45 45

Gas
Duration (minutes) 20 20

Off-time (Not Recommended)

Conventional Controls
Low Pressure Backup Control
Circuit (temp F) -18/-38/-26/-15

Indoor Unit Only, Pressure Defrost
Termination (Temp F) Not recommended

Physical Data
Circ. Pipe (in.) 1 1/4
Liquid Line (in.) 3/8
Suction Line (in.) 5/8

Estimated Charge (lb)**

4 ft	1.8	1.8	1.8
5 ft	2.7	2.7	2.7
6 ft	3.6	3.6	3.6
8 ft	5.4	5.4	5.4
10 ft	7.2	7.2	7.2
12 ft	9.0	9.0	9.0

**This is an average for all refrigerant types when refrigerant charge may vary by approximately 1 lb per ft.

HUSSMANN®
LIC. #644405

13770 RAMONA AVENUE
CHINO, CA 91710
PHONE (909) 590-8910
FAX (909) 590-9113

SEALS PERSON
PROJECT MANAGER

REVISIONS

1	DATE: 05.05.18
2	SCALE: NTS
3	DRAWN BY: N. RENTERIA
4	CHK'D BY: -----
5	APR'D BY: -----
6	PLAN: 82419ER1-9_DSI1-4.dwg

LUCKY'S MARKET
THE PROMENADE AT NAPLES CENTRE

NEW STORE
6424 NAPLES BLVD., SUITE 601, NAPLES, FL

CASE DETAILS

SHEET

R8A