

REVISIONS

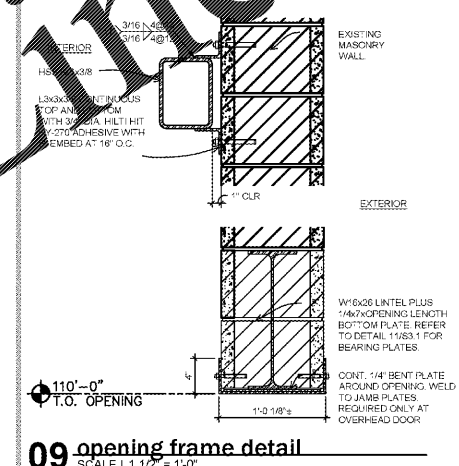
- 1
- 2
- 3
- 4
- 5
- 6
- 7
- 8
- 9
- 10
- 11
- 12
- 13
- 14
- 15
- 16
- 17
- 18
- 19
- 20
- 21
- 22
- 23
- 24
- 25
- 26
- 27
- 28
- 29
- 30
- 31
- 32
- 33
- 34
- 35
- 36
- 37
- 38
- 39
- 40
- 41
- 42
- 43
- 44
- 45
- 46
- 47
- 48
- 49
- 50
- 51
- 52
- 53
- 54
- 55
- 56
- 57
- 58
- 59
- 60
- 61
- 62
- 63
- 64
- 65
- 66
- 67
- 68
- 69
- 70
- 71
- 72
- 73
- 74
- 75
- 76
- 77
- 78
- 79
- 80
- 81
- 82
- 83
- 84
- 85
- 86
- 87
- 88
- 89
- 90
- 91
- 92
- 93
- 94
- 95
- 96
- 97
- 98
- 99
- 100

PERMIT ISSUE  
MAY 7, 2018  
BID ISSUE 06/07/18  
STORE NUMBER  
57

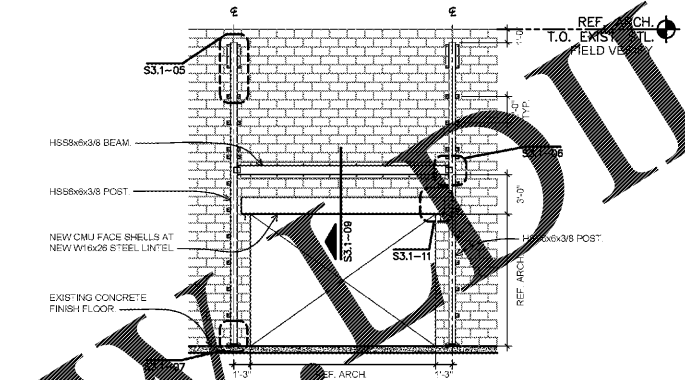
WD PROJECT NUMBER  
LKYUF0011

S3.1

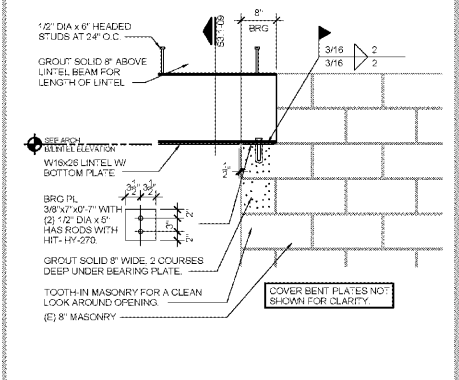
FOUNDATION DETAILS



09 opening frame detail  
SCALE | 1 1/2" = 1'-0"



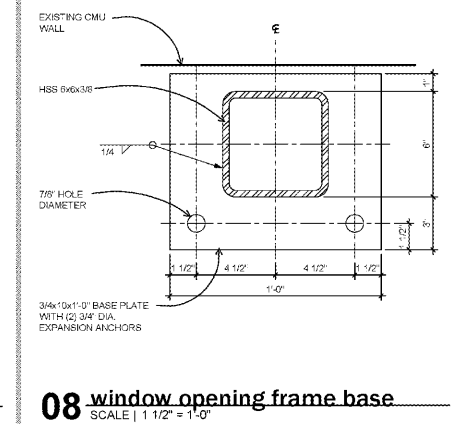
10 window opening elevation  
SCALE | 1/2" = 1'-0"



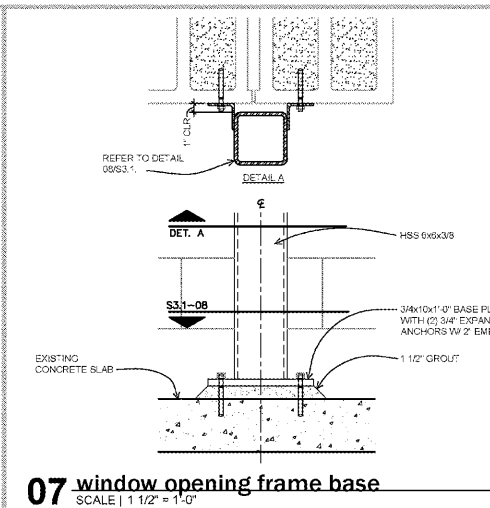
11 masonry opening lintel  
SCALE | 3/4" = 1'-0"

12 not used  
SCALE [n.t.s.]

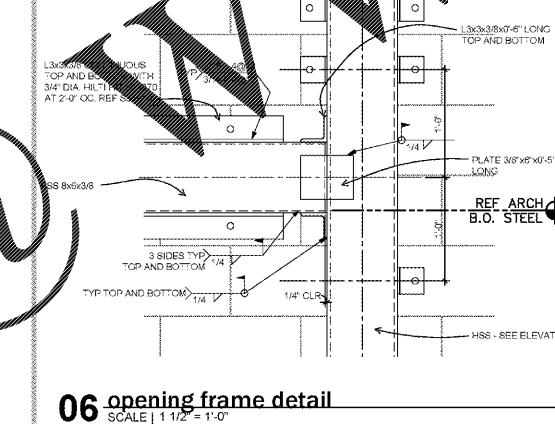
13 not used  
SCALE [n.t.s.]



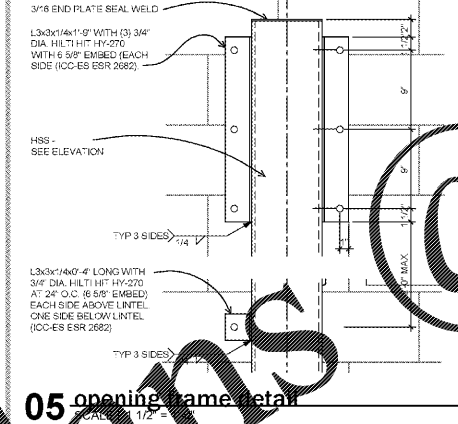
08 window opening frame base  
SCALE | 1 1/2" = 1'-0"



07 window opening frame base  
SCALE | 1 1/2" = 1'-0"

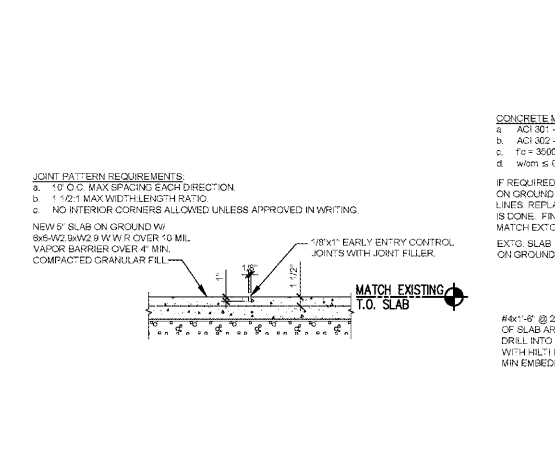


06 opening frame detail  
SCALE | 1 1/2" = 1'-0"

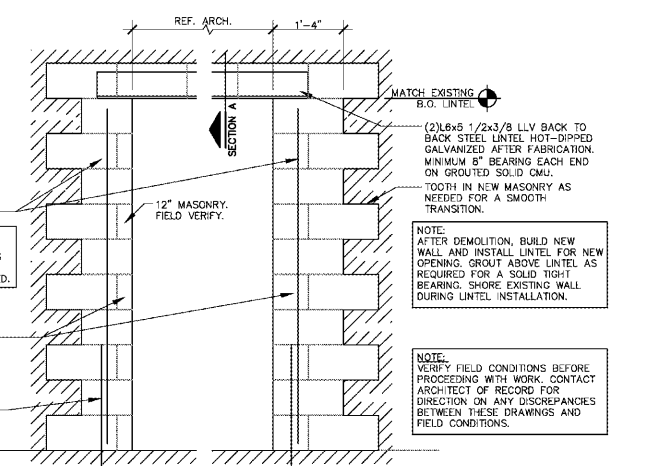


05 opening frame detail  
SCALE | 1 1/2" = 1'-0"

04 not used  
SCALE [n.t.s.]



01 slab infill details  
SCALE | N.T.S.



02 door opening elevation  
SCALE | 3/4" = 1'-0"

03 not used  
SCALE [n.t.s.]

Order Plans @

CONCRETE MIX AND PLACEMENT REQUIREMENTS:  
 a. ACI 301 - CONCRETE SPECIFICATIONS  
 b. ACI 302 - GUIDE FOR CONCRETE FLOOR AND SLAB CONSTRUCTION.  
 c.  $f_c = 3000$  PSI  
 d.  $w/m \leq 0.50$

IF REQUIRED, SAWCUT EXTG. SLAB ON GROUND IN A NEAT, STRAIGHT LINE. REPLACE SLAB AFTER WORK IS DONE. FINISH NEW SLAB TO MATCH EXG. ADJACENT SLAB.  
 EXTG. SLAB ON GROUND.  
 NEW 5" SLAB ON GROUND WITH 8W@2 BW@2 8 W/W R OVER 10 MIL VAPOR BARRIER OVER 4" MIN. COMPACTED GRANULAR FILL. 1/4" MIN. OR CLM FLOWABLE FILL BEFORE PLACING NEW 10 MIL VAPOR BARRIER AND NEW SLAB ON GROUND. LAP 18" OVER EXTG. VAPOR BARRIER AND APPLY TAPE PER MANUFACTURER'S INSTRUCTIONS.

JOINT PATTERN REQUIREMENTS:  
 a. 10' O.C. MAX SPACING EACH DIRECTION  
 b. 1/2" MAX WIDTH/LENGTH RATIO  
 c. NO INTERIOR CORNERS ALLOWED UNLESS APPROVED IN WRITING.  
 NEW 5" SLAB ON GROUND W/ 8W@2 BW@2 8 W/W R OVER 10 MIL VAPOR BARRIER OVER 4" MIN. COMPACTED GRANULAR FILL.  
 1/8"x1" EARLY ENTRY CONTROL JOINTS WITH JOINT FILLER.

SECTION A  
 REINFORCED MASONRY WALL INFILL WITH HOT DIPPED GALVANIZED JOINT REINFORCEMENT AT 16" O.C. MATCH EXISTING WALL TEXTURE AND COLOR.  
 NOTE: REPAIR OR REPLACE ANY DAMAGED MASONRY UNITS AS REQUIRED. REPORT ANY MORTAR DAMAGE AS REQUIRED.  
 GROUTED SOLID MASONRY AT NEW OPENING JAMBS.  
 #5 VERTICAL DWELS @ 32" O.C. MAX. EMBED 6" INTO EXISTING SOLID OR GROUTED SOLID MASONRY WITH HLTI HIT HY 270 MAX. TYP.

SECTION B  
 MATCH EXISTING B.O. LINTEL.  
 (2)L6x5 1/2x3/8 LLY BACK TO BACK STEEL LINTEL HOT-DIPPED GALVANIZED AFTER FABRICATION. MINIMUM 8" BEARING EACH END ON GROUTED SOLID CMU.  
 TOOTH IN NEW MASONRY AS NEEDED FOR A SMOOTH TRANSITION.  
 NOTE: AFTER DEMOLITION, BUILD NEW WALL AND INSTALL LINTEL FOR NEW OPENING. GROUT ABOVE LINTEL AS REQUIRED FOR A SOLID TIGHT BEARING. SHORE EXISTING WALL DURING LINTEL INSTALLATION.  
 NOTE: VERIFY FIELD CONDITIONS BEFORE PROCEEDING WITH WORK. CONTACT ARCHITECT OF RECORD FOR DISCREPANCIES BETWEEN THESE DRAWINGS AND FIELD CONDITIONS.

3/8" END PLATE SEAL WELD  
 L3x3x1/4x1'-0" WITH (3) 3/4" DIA. HLTI HIT HY-270 WITH 6 5/8" EMBED (EACH SIDE) (CC-ES ESR 2682)  
 HSS - SEE ELEVATION  
 TYP 3 SIDES 1/4"  
 L3x3x1/4x0'-4" LONG WITH 3/4" DIA. HLTI HIT HY-270 AT 24" O.C. (6 5/8" EMBED) EACH SIDE ABOVE LINTEL. ONE SIDE BELOW LINTEL. (CC-ES ESR 2682)  
 TYP 3 SIDES 1/4"  
 L3x3x3/8x7'-4" LONG TOP AND BOTTOM  
 L3x3x3/8x7'-4" LONG TOP AND BOTTOM AT 2'-0" O.C. REF. ARCH.  
 HSS 8x6x3/8  
 PLATE 3/8"x8"x0'-5" LONG  
 REF. ARCH B.O. STEEL  
 HSS - SEE ELEVATION  
 3 SIDES TYP 1/4"  
 TYP TOP AND BOTTOM 1/4"  
 1/4" CLR  
 HSS - SEE ELEVATION

1/2" DIA x 6" HEADED STUDS AT 24" O.C.  
 GROUT SOLID 8" ABOVE LINTEL BEAM FOR LENGTH OF LINTEL  
 SEARCH BEARING PLATE POSITION  
 W18x26 LINTEL W/ BOTTOM PLATE  
 BRG PL. 3/8"x7/8"x1" WITH (2) 1/2" DIA x 6" HAS RODS WITH HT-1 HY-270  
 GROUT SOLID 8" WIDE, 2 COURSES DEEP UNDER BEARING PLATE.  
 TOOTH IN MASONRY FOR A CLEAN LOOK AROUND OPENING (E) 8" MASONRY  
 COVER BENT PLATES NOT SHOWN FOR CLARITY

HSS8x6x3/8 BEAM  
 HSS8x6x3/8 POST  
 NEW CMU FACE SHELLS AT NEW W18x26 STEEL LINTEL  
 EXIST'G CONCRETE FINISH FLOOR  
 REF. ARCH  
 REF. CH. T.O. EXIST'G FIELD VERT.  
 3/16" x 46" x 3/16" V-46T  
 HSS 8x6x3/8  
 L3x3x1/4x1'-0" WITH (3) 3/4" DIA. HLTI HIT HY-270 WITH 6 5/8" EMBED (EACH SIDE) (CC-ES ESR 2682)  
 1" CLR  
 EXTERIOR  
 EXISTING MASONRY WALL  
 W18x26 LINTEL PLUS 1/4"x7" OPENING LENGTH BOTTOM PLATE REFER TO DETAIL 110S1 FOR BEARING PLATES  
 CONT. 1/4" BENT PLATE AROUND OPENING WELD TO JAMB PLATES. REQUIRED ONLY AT OVERHEAD DOOR.