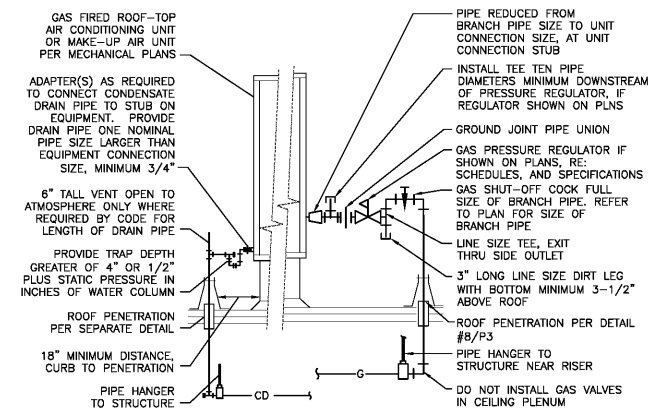


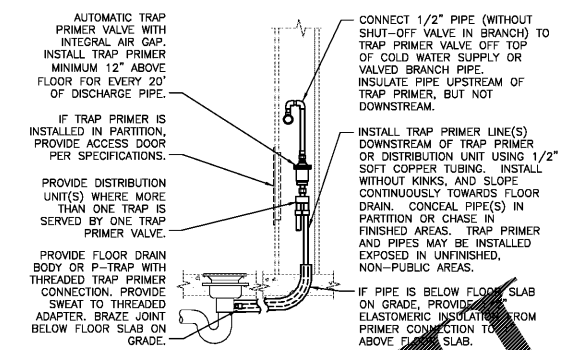
1 INSULATED PIPE HANGER DETAIL  
NO SCALE

REFER TO SPECIFICATIONS FOR INSULATION TYPES, INSULATION THICKNESSES, HANGER TYPES, HANGER ROD CONNECTIONS TO STRUCTURE AND HANGER SPACING.



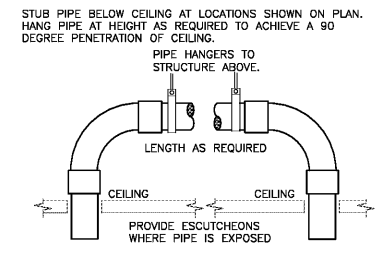
2 CONNECTIONS TO ROOF-TOP UNIT  
NO SCALE

ARRANGEMENT SHOWN IS SCHEMATIC. ADJUST TO SUIT FIELD CONDITIONS. PROVIDE CONNECTIONS SHOWN IN EQUIPMENT MANUFACTURER'S INSTALLATION INSTRUCTIONS. VERIFY CONNECTION LOCATIONS BEFORE INSTALLING PIPE RUNS. REFER TO SPECIFICATIONS FOR PIPE AND FITTING MATERIALS AND INSTALLATION. PROVIDE DIELECTRIC UNION IF CONNECTING DISSIMILAR METALS. FOR PIPE SIZE(S) REFER TO FLOOR PLANS, OR CODE REQUIREMENTS FOR HVAC UNIT TONNAGE. PROVIDE GAS COCK, UNION AND DIRT LEG SAME SIZE AS BRANCH PIPE. SLOPE CONDENSATE PIPE AS MUCH AS POSSIBLE TOWARD DISCHARGE, 2% MINIMUM. PROVIDE CLEANOUTS IN ENDS AND TURNS OF PIPE PER LOCAL CODE REQUIREMENTS. ADAPTER WITH THREADED CLEANOUT PLUG. OMIT CONDENSATE DRAIN ON MAKEUP AIR UNIT. PROVIDE MINIMUM 6" CLEARANCE TO ROOF UNDER PIPES.



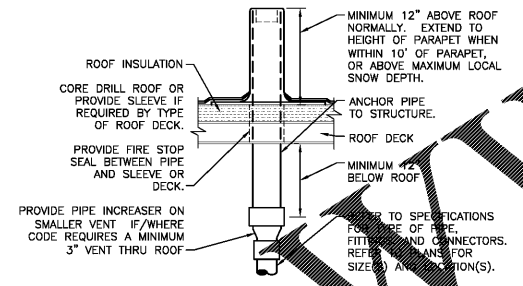
3 TRAP PRIMER IN CUT WALL  
NO SCALE

PROVIDE TRAP PRIMERS WHERE SHOWN ON FLOOR PLANS, AND WHERE REQUIRED BY LOCAL AUTHORITIES. PIPING ARRANGEMENT SHOWN IS SCHEMATIC. ADJUST TO SUIT FIELD CONDITIONS. REFER TO SPECIFICATIONS FOR PLUMBING MATERIALS SCHEDULE FOR MORE INFORMATION. INSTALL TRAP PRIMER AND DISTRIBUTION UNIT PER MANUFACTURER'S RECOMMENDATIONS.



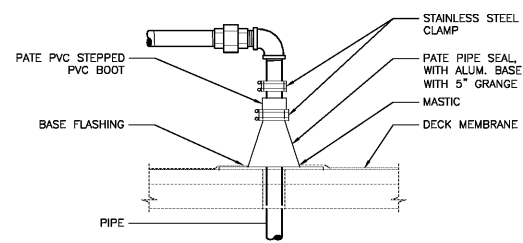
4 ABOVE CEILING BEVERAGE CONDUIT  
NO SCALE

USE FIVE INCH SCHEDULE 40 POLYVINYLCHLORIDE (PVC) PIPING, FITTINGS AND COUPLINGS. USE MINIMUM QUANTITY OF COUPLINGS REQUIRED. SOLVENT WELD JOINTS. USE LONG SWEEP ELBOWS AT BOTH ENDS, MINIMUM TWENTY FOUR INCH RADIUS. AVOID ELBOWS IN HORIZONTAL RUN IF AT ALL POSSIBLE. PROVIDE TEST OF CONDUIT AFTER ASSEMBLY TO VERIFY WATER TIGHTNESS — REPAIR ANY LEAKS DETECTED. MAINTAIN PRESSURE UNTIL BEVERAGE LINES ARE INSTALLED. GENERAL CONTRACTOR WILL SEAL ENDS OF CONDUIT WITH FOAM AFTER BEVERAGE LINES ARE INSTALLED IN CONDUIT.



5 VENT THRU ROOF ("VTR")  
NO SCALE

LOCATE VTR MINIMUM THREE FEET FROM PROPERTY LINE, TEN FEET HORIZONTAL FROM ANY OTHER VENT, TEN FEET VERTICAL ABOVE ANY OPENING OR FRESH AIR INTAKE, TWENTY FIVE FEET FROM ANY OPENING OR FRESH AIR INTAKE IN MEDICAL FACILITIES AND ONE FOOT FROM ANY VERTICAL SURFACE. REFER TO LOCAL CODES FOR OTHER VENT TERMINATION REQUIREMENTS. LOCATE VTR MINIMUM 18" FROM ADJACENT WALL, PARAPET, EXPANSION JOINT, ROOF DRAIN, EQUIPMENT CURB, OR OTHER ROOF FEATURE. OFFSET IN CEILING SPACE WHERE REQUIRED TO MEET THESE CONDITIONS. INSULATE LAST SIX FEET OF VENT PIPE INSIDE BUILDING PER SPECIFICATIONS.



6 GAS PIPE ROOF PENETRATION  
NO SCALE

PROJECT NAME AND LOCATION :



STORE #785  
975 W. POPLAR AVENUE  
COLLIERVILLE, TN 38017

THIS DRAWING AND ITS CONTENTS ARE CONSIDERED INSTRUMENTS OF SERVICE AS SUCH THEY ARE COPYRIGHTED PROPERTY OF RUN RUN DESIGN, LLC. THE USE OF THESE DRAWINGS ARE LIMITED TO THIS SPECIFIC PROJECT AND ARE NOT TO BE OTHERWISE REPRODUCED IN ANY WAY OR USED FOR SUPPLEMENTAL LOCATIONS WITHOUT WRITTEN PERMISSION FROM RUN RUN DESIGN, LLC.

DRAWING REVISIONS:

no.	distribution	date
A	ISSUE DATE	12.21.17
B	SUBMITTAL DATE	--
no.	revision	date
1	--	--
2	--	--
3	--	--

SHEET NAME:  
**PLUMBING DETAILS**

**BID SET**

project no:  
17-085  
dwg no:  
**P3**

Order Plans

WWW.LDOnline.com