

**EXHAUST FAN INFORMATION**

FAN UNIT NO.	FAN UNIT MODEL #	MODEL	TAG	CFM	ESP.	RPM	H.P.	#	VOLT	FLA	WEIGHT (LBS.)
1	DU30HFA	DU30HFA	EF-2	450	0.500	1131	0.250	1	115	4.0	52.56

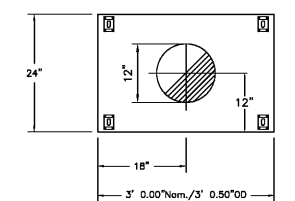
**EXHAUST PLENUM INFORMATION**

PLENUM NO.	MODEL	LENGTH	MAX. COOKING TEMP.	TOTAL EXH. CFM	EXHAUST PLENUM RISER(S)			CONSTRUCTION	CONFIG.			
					WIDTH	LENG.	DIA.		CFM	S.P.	END TO END	ROW
1	246 MISC-PSP	3' 0.00"	300 Deg.	450	24"	36"	12"	450	0.084"	430 SS Where Exposed	ALONE	ALONE

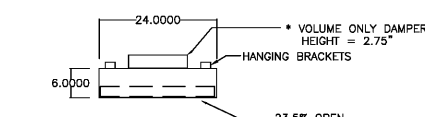
**CURB ASSEMBLIES**

NO.	ON FAN	WEIGHT	ITEM	SIZE
1	# 1	30 LBS	Curb	19.500"W x 19.500"L x 22.000"H Vented

**EXHAUST PLENUM AND EXHAUST FAN WITH CURB OWNER PROVIDED THROUGH KITCHEN EQUIPMENT DEALER (ISI)**



PLAN VIEW - Plenum #1  
3' 0.00" LONG 246 MISC-PSP



**FEATURES:**

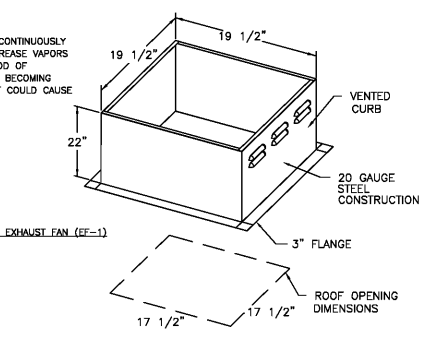
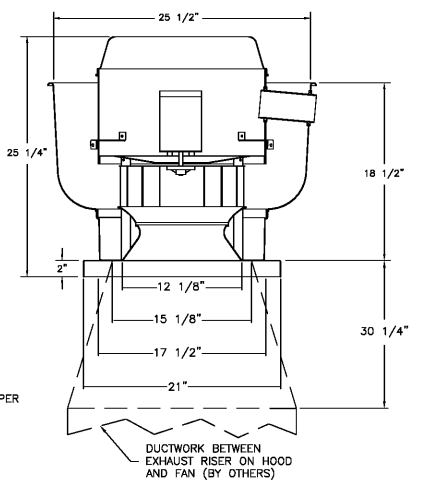
- ROOF MOUNTED FANS
- RESTAURANT MODEL
- UL705 AND UL782
- VARIABLE SPEED CONTROL
- INTERNAL WIRING
- WEATHERPROOF DISCONNECT
- THERMAL OVERLOAD PROTECTION (SINGLE PHASE)
- HIGH HEAT OPERATION 300F (149°C)
- GREASE CLASSIFICATION TESTING

**NORMAL TEMPERATURE TEST**

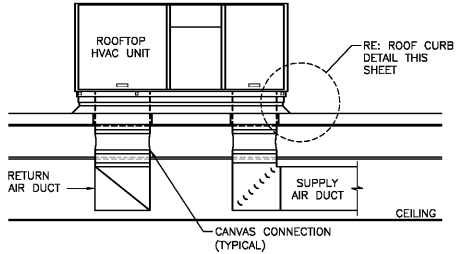
EXHAUST FAN MUST OPERATE CONTINUOUSLY WHILE EXHAUSTING AIR AT 300F (149°C) UNTIL ALL FAN PARTS HAVE REACHED THERMAL EQUILIBRIUM AND WITHOUT ANY DETRIMENTARY EFFECTS TO THE FAN WHICH WOULD CAUSE UNSAFE OPERATION.

**ABNORMAL FLARE-UP TEST**

EXHAUST FAN MUST OPERATE CONTINUOUSLY WHILE EXHAUSTING BURNING GREASE VAPORS AT 600°F (316°C) FOR A PERIOD OF 15 MINUTES WITHOUT THE FAN BECOMING DAMAGED TO ANY EXTENT THAT COULD CAUSE AN UNSAFE CONDITION.

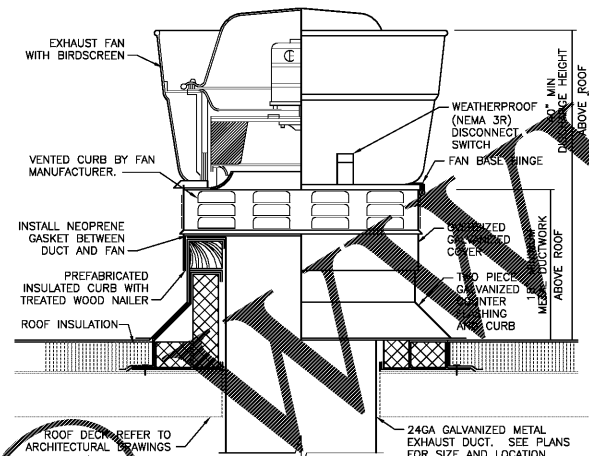


FAN #1 DU30HFA - EXHAUST FAN (EF-1)

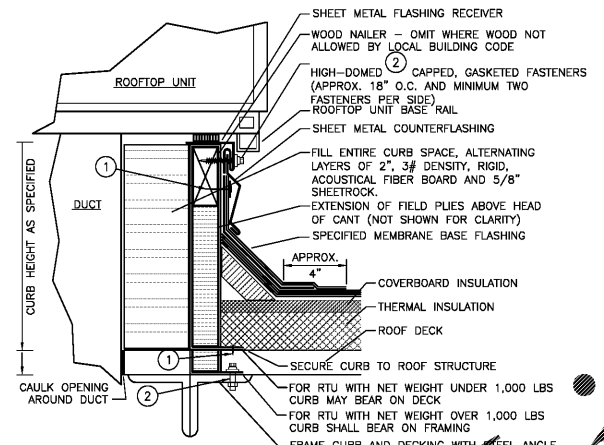


- NOTES:**
- PROVIDE OPENING THROUGH ROOF AND ROOF DECK INSULATION NO LARGER THAN REQUIRED TO ALLOW DUCTS TO PASS THROUGH. REFER TO PLANS FOR DUCT SIZES. TRANSITION AS REQUIRED IN ROOF CURB TO RTU SUPPLY AND RETURN OPENINGS.
  - PROVIDE SLOPED ROOF CURB TO INSTALL ROOFTOP UNIT LEVEL TO ENSURE PROPER DRAINAGE. COORDINATE ROOF SLOPE WITH ARCHITECTURAL FLASH AND COUNTER FLASH ROOF PENETRATIONS, ETC. TO ENSURE WEATHER TIGHT INSTALLATION.

**1 ROOFTOP UNIT WITH DUCTWORK DETAIL**  
NO SCALE

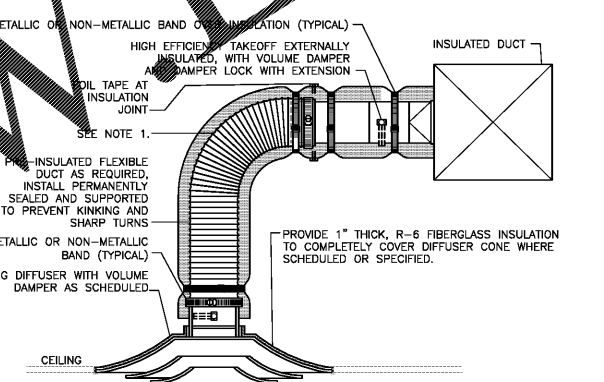


**3 KITCHEN UPBLAST EXHAUST FAN DETAIL**  
NO SCALE



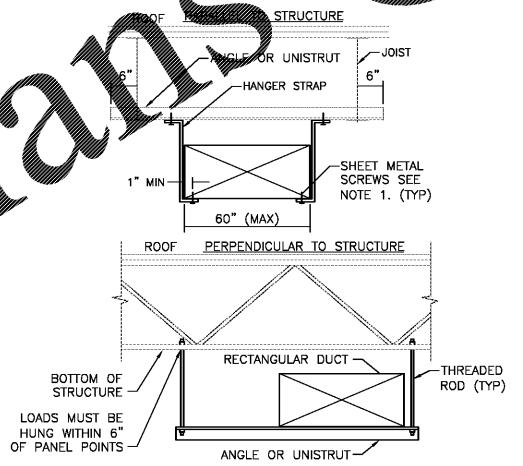
- NOTES:**
- CUT METAL DECKING TO ALLOW CURB INSTALLATION ON STEEL FRAMING. AFTER CURB IS SET IN PLACE, TRIM REMAINING METAL DECKING AND INSTALL WITHIN CURB. TACK WELD DECKING TO SUPPORT STEEL. DO NOT WELD INTERIOR DECKING TO ROOF CURB. PROVIDE ADDITIONAL CROSS FRAMING TO SUPPORT INTERIOR DECKING AND FILL MATERIAL AS REQUIRED.

**2 ROOF CURB DETAIL**  
NO SCALE



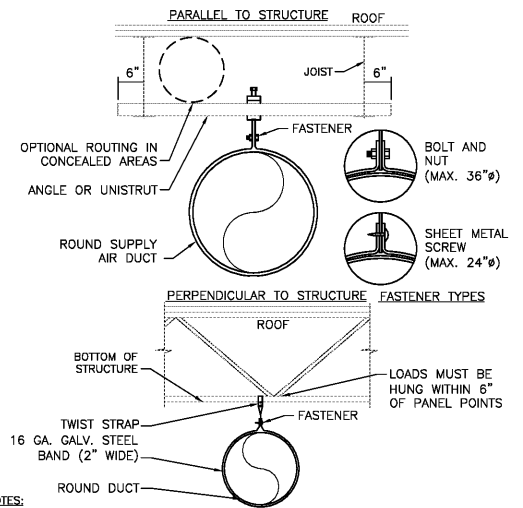
- NOTES:**
- EXTEND RIGID METAL DUCT SO THAT MAXIMUM FLEXIBLE DUCT LENGTH DOES NOT EXCEED 5'-0". PROVIDE RIGID 90° ELBOW WHERE REQUIRED TO KEEP FLEXIBLE DUCT WITHIN 5'-0" LENGTH LIMITATION.

**4 LAY-IN TYPE CEILING DIFFUSER DETAIL**  
NO SCALE



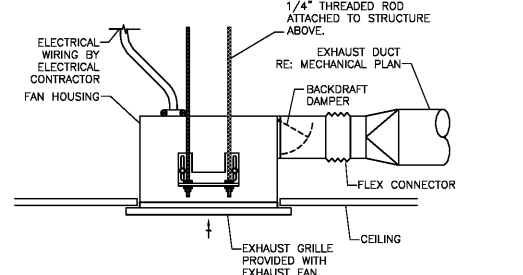
- NOTES:**
- SHEET METAL SCREWS MAY BE OMITTED IF HANGER STRAP IS CONTINUOUS AND LOOPS UNDER ENTIRE DUCT.

**5 RECTANGULAR DUCT SUPPORT DETAIL**  
NO SCALE



- NOTES:**
- FOR DUCTS LARGER THAN 36", USE TWO HANGER RODS, WIRES OR STRAPS TO SUPPORT DUCT FROM EACH SIDE.

**6 ROUND DUCT SUPPORT DETAIL**  
NO SCALE



**7 SUPPORT DETAIL FOR HUNG EQUIPMENT**  
NO SCALE

PROJECT NAME AND LOCATION :



STORE #785  
975 W. POPLAR AVENUE  
COLLIERVILLE, TN 38017

THIS DRAWING AND ITS CONTENTS ARE CONSIDERED INSTRUMENTS OF SERVICE AS SUCH THEY ARE COPYRIGHTED PROPERTY OF RUN RUN DESIGN, LLC. THE USE OF THESE DRAWINGS ARE LIMITED TO THIS SPECIFIC PROJECT AND ARE NOT TO BE OTHERWISE REPRODUCED IN ANY WAY OR USED FOR SUPPLEMENTAL LOCATIONS WITHOUT WRITTEN PERMISSION FROM RUN RUN DESIGN, LLC.

**DRAWING REVISIONS:**

no.	distribution	date
A	ISSUE DATE	12.21.17
B	SUBMITTAL DATE	-

no.	revision	date
1	-	-
2	-	-
3	-	-

SHEET NAME:  
**MECHANICAL & EXHAUST PLENUM DETAILS**

**BID SET**

project no: 17-085  
dwg no: M2

Order Plans @