

**1** NOT USED  
SCALE: NTS

**5** NOT USED  
SCALE: NTS

**9** HEADER  
SCALE: NTS

**13** WALL PARTITION  
SCALE: NTS

**10** FRONT COUNTER  
SCALE: 1" = 1'-0"

**14** NOT USED  
SCALE: NTS

**3** WATER HEATER  
SCALE: 3/4" = 1'-0"

**7** SOFFIT OVER FRONT COUNTER  
SCALE: 1" = 1'-0"

**11** SERVICE LOW WALL  
SCALE: 1" = 1'-0"

**15** BRACE AT DECK  
SCALE: NTS

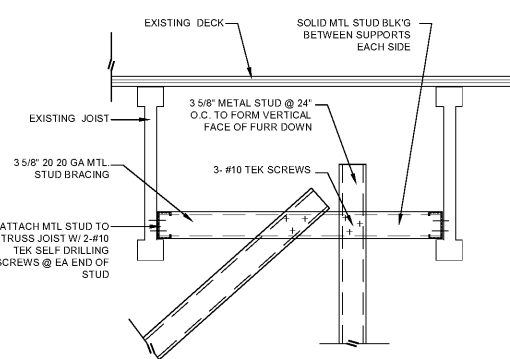
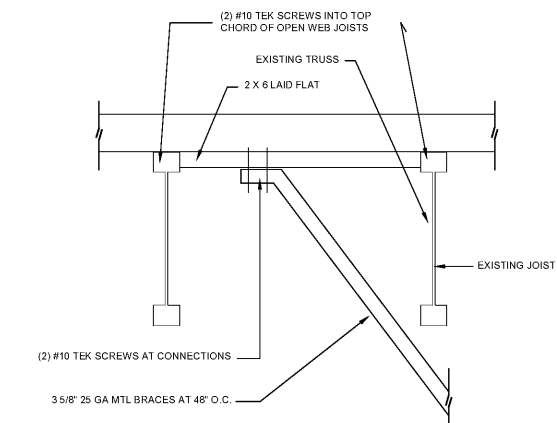
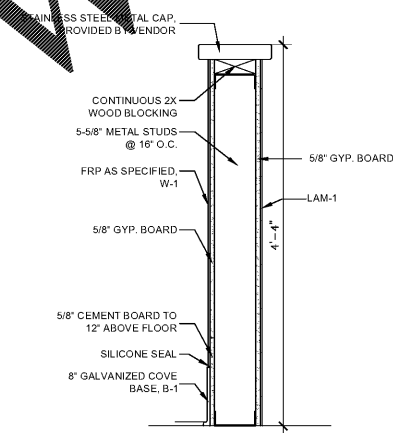
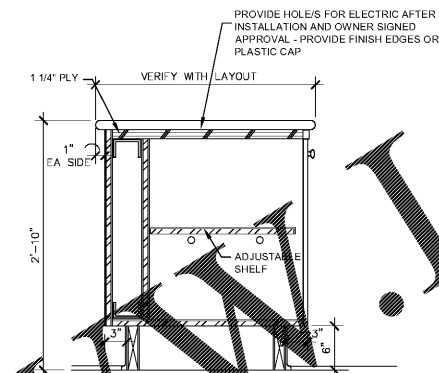
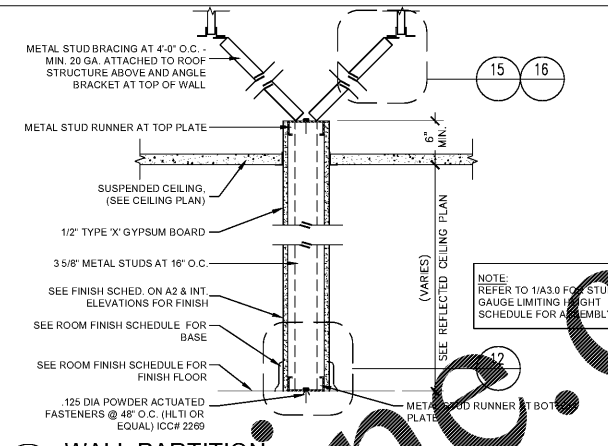
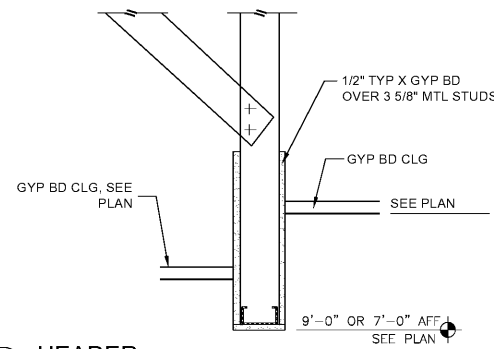
**4** GRAB BAR DETAIL  
SCALE: NTS

**8** LIGHT FIXTURE BRACING  
SCALE: NTS

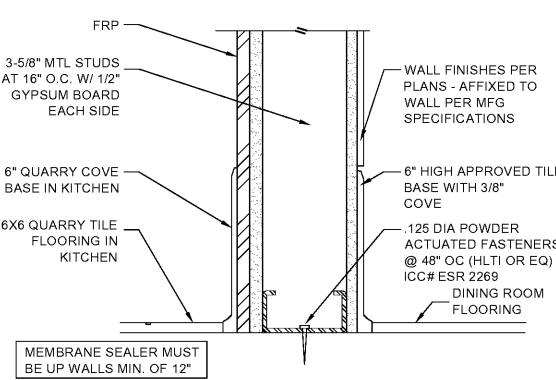
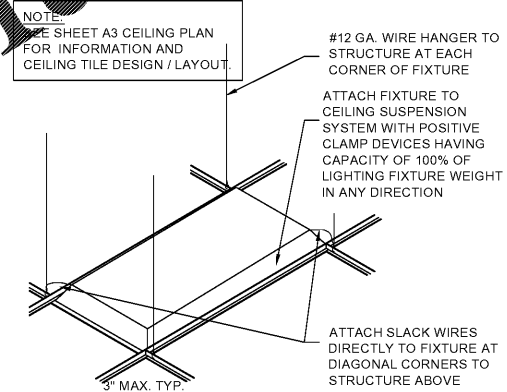
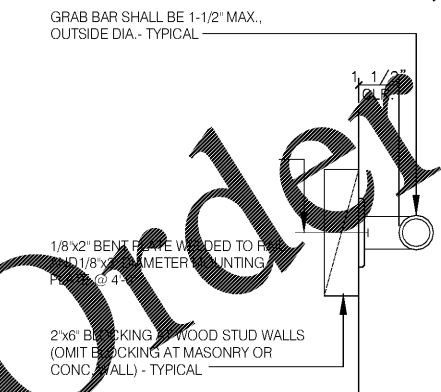
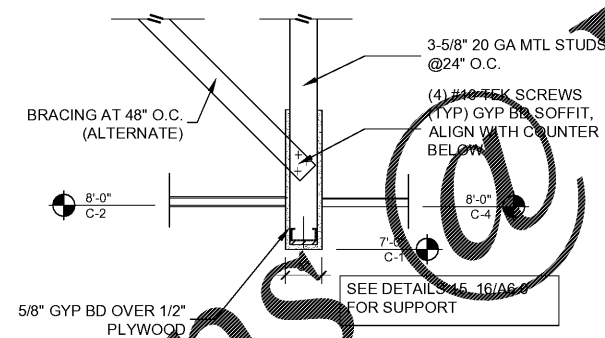
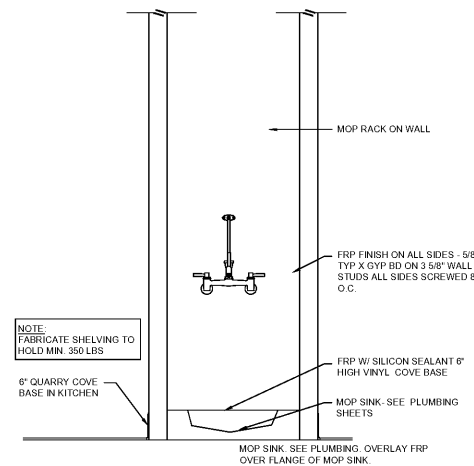
**12** WALL SECTION AT FLOOR  
SCALE: NTS

**16** BRACE AT ROOF FRAMING  
SCALE: NTS

GYPSUM BOARD PANELS MANUFACTURED BY USG, FLAME SPREAD RATING OF 15, SMOKE DEVELOPED 0, MEETS ASTM C36



NOTE: SEE P-SHEETS FOR MFG SPECS AND WATER HEATER DETAIL



RUN RUN DESIGN

PROJECT NAME AND LOCATION :



STORE #785  
975 W. POPLAR AVENUE  
COLLIERVILLE, TN 38017

THIS DRAWING AND ITS CONTENTS ARE CONSIDERED INSTRUMENTS OF SERVICE AS SUCH THEY ARE COPYRIGHTED PROPERTY OF RUN RUN DESIGN, LLC. THE USE OF THESE DRAWINGS ARE LIMITED TO THIS SPECIFIC PROJECT AND ARE NOT TO BE OTHERWISE REPRODUCED IN ANY WAY OR USED FOR SUPPLEMENTAL LOCATIONS WITHOUT WRITTEN PERMISSION FROM RUN RUN DESIGN, LLC.

DRAWING REVISIONS:

no.	distribution	date
A	ISSUE DATE	05/31/18
B	SUBMITTAL DATE	-
no. revision date		
1	-	-
2	-	-
3	-	-

SHEET NAME:  
**DETAILS**

**BID SET**

project no: 17-085  
dwg no: **A6.0**