

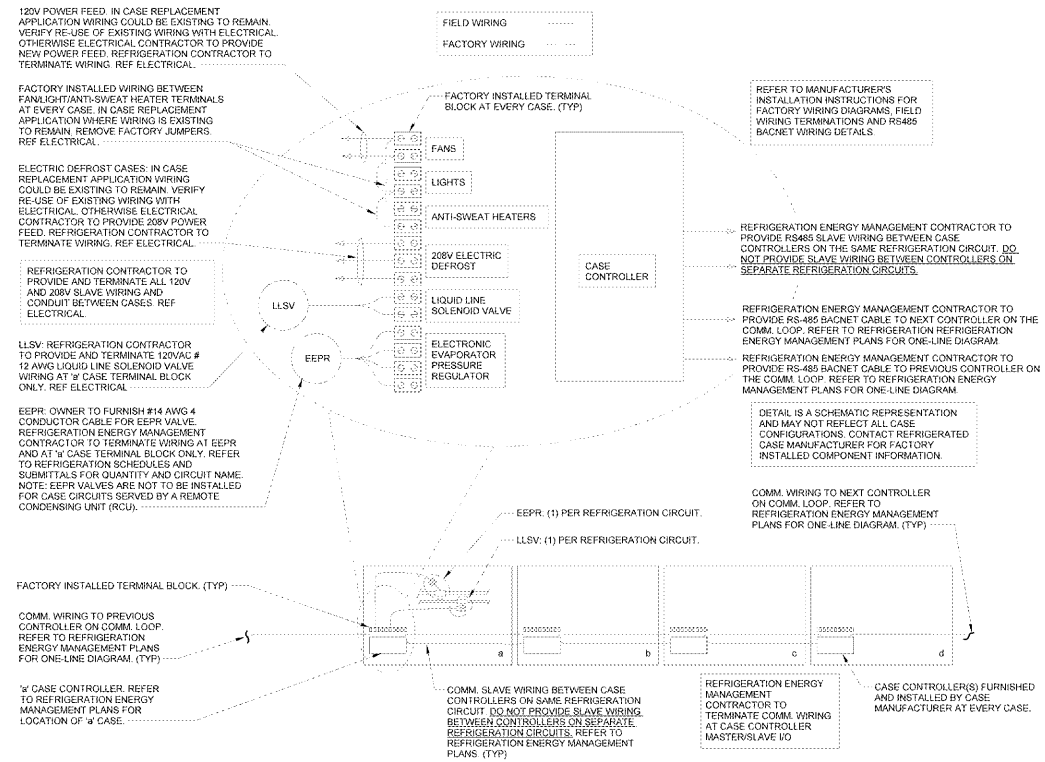
REFRIGERATION SYMBOLS

X	NEW REFRIGERATION PIPING	CD	EXISTING CONDENSATE DRAIN
X	EXISTING REFRIGERATION PIPING	—	CLEAN OUT
X	REFRIGERATION PIPING UNDER OBSTRUCTIONS	⊙	CONNECT TO EXISTING
X	EXISTING REFRIGERATION PIPING RE-INSULATE	XXX XX XX	CIRCUIT CALLOUT APPLICATION: NEW / EXISTING
⊙	ELBOW - TURN DOWN	XX.XXX	KEYNOTE CALLOUT
⊙	ELBOW - TURN UP	XX	DETAIL CALLOUT
⊙	TEE - TURN DOWN	RX	DETAIL CALLOUT
⊙	TEE - TURN UP	—	EXISTING EVAPORATOR
—	CD	—	EVAPORATOR (SM)

REDESIGN
DETAIL DESIGN COLLABORATIVE

1001 S. 30th Dr. #110
Arlington, VA 22209
703.536.3665
info@re-design.com

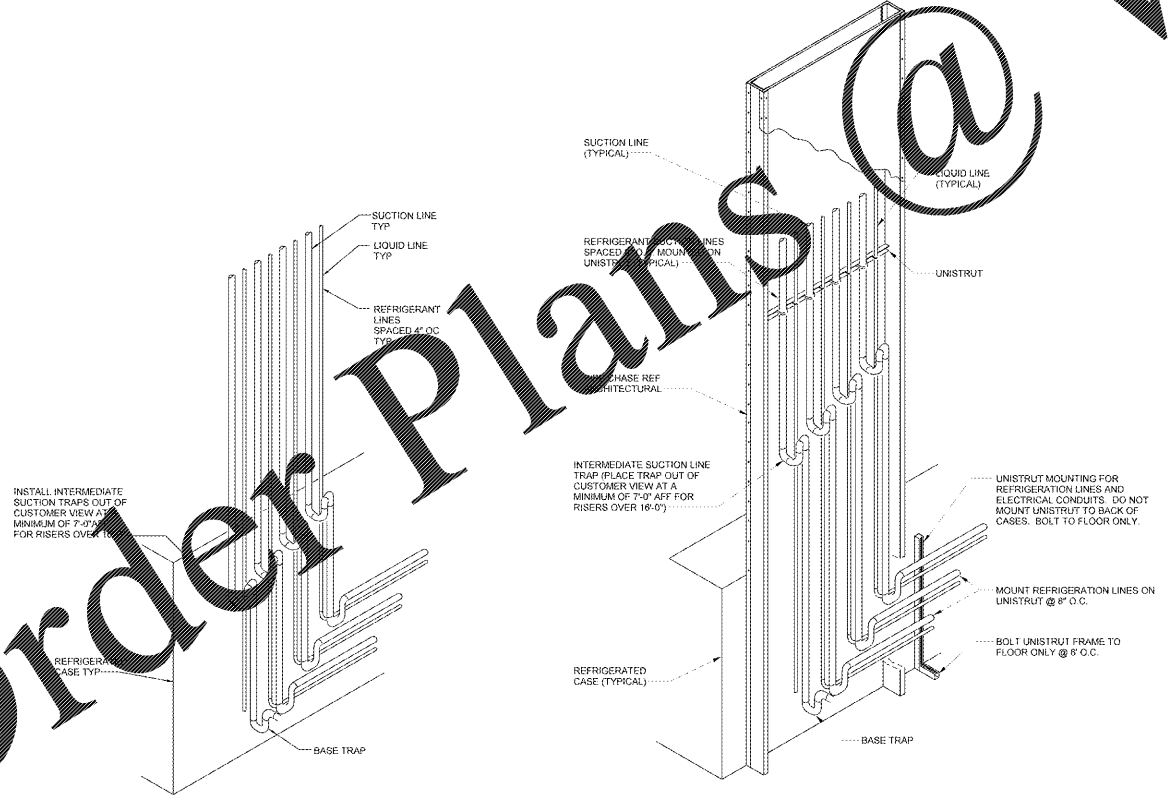
STIPULATION FOR REDESIGN: THIS DOCUMENT IS THE PROPERTY OF REDESIGN COLLABORATIVE. IT IS TO BE USED ONLY FOR THE PROJECT AND SITE SPECIFICALLY IDENTIFIED HEREIN. IT IS NOT TO BE REPRODUCED, COPIED, OR TRANSMITTED IN ANY FORM OR BY ANY MEANS, ELECTRONIC OR MECHANICAL, INCLUDING PHOTOCOPYING, RECORDING, OR BY ANY INFORMATION STORAGE AND RETRIEVAL SYSTEM, WITHOUT THE WRITTEN PERMISSION OF REDESIGN COLLABORATIVE.



7 CASE CONNECTION SCHEMATIC
NTS

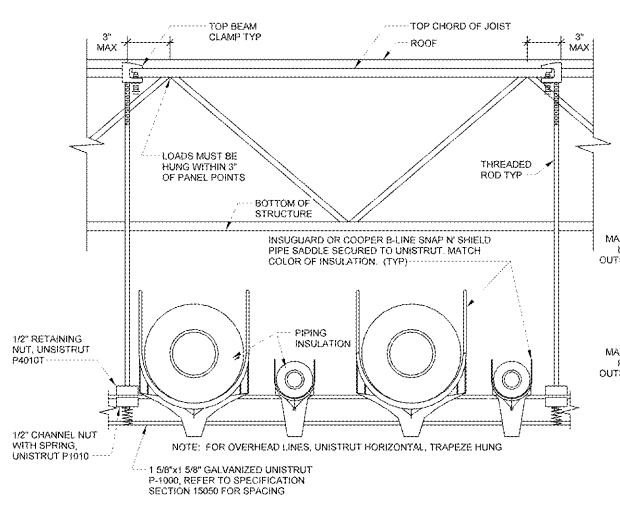
6 NOT USED
NTS

5 NOT USED
NTS

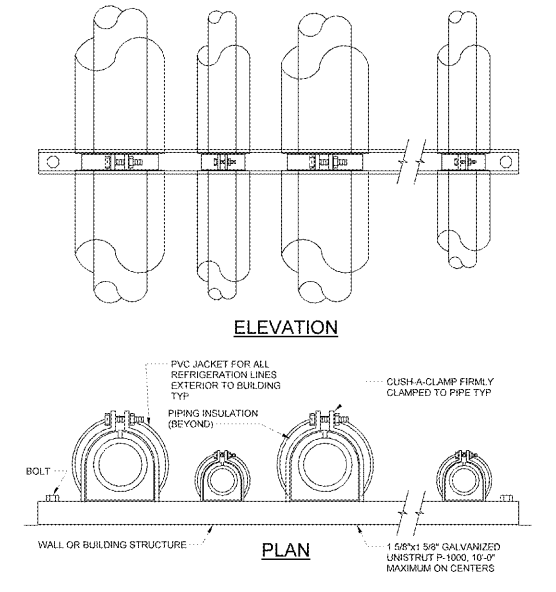


4 INTERMEDIATE SUCTION LINE TRAP
NTS

3 INTERMEDIATE SUCTION LINE TRAP DETAIL
NTS



2 HORIZONTAL REFRIGERANT LINE SUPPORT DETAIL
NTS



1 VERTICAL REFRIGERANT LINE SUPPORT
NTS

CONSULTANTS

William R. Krabbe P.E.
REGISTERED PROFESSIONAL ENGINEER
MECHANICAL
17142725
PROVIDED BY P-2386 (ISSUED BY) 10/11/18

Walmart

GORDONSVILLE, VA
164 CAMP CREEK PKWY., LOUISA, VA 23083
STORE NO.: 1562-223
17-127-25 | PHOTO: 143 SGR/KOR

Remodel Proto

ISSUE BLOCK

1	REV #1	04/16/18
2	REV #2	04/25/18

CHECKED BY: WRK
DRAWN BY: RGP
PROTO CYCLE: 02/23/18
DOCUMENT DATE: 04/10/18
BG PROJECT NO: 19532

This document originally issued and owned by
William Robert Krabbe, P.E.
#160200048
on 04/25/2018.
This document should not be considered a contract document.
NOT FOR CONSTRUCTION

REFRIGERATION DETAILS

SHEET: **R2**

Order Plans @

WWW.LDILine.com

© 2018 W. R. Krabbe, P.E. All rights reserved. No part of this document may be reproduced without the written permission of W. R. Krabbe, P.E.